

***Fans and motors  
for refrigeration, air-condition and ventilation***

**EC CENTRIFUGAL FANS  
AC CENTRIFUGAL FANS  
DC CENTRIFUGAL FANS**

---

**Start small, act big,  
Think big, achieve bigger.**

**Your trust, Our Mission  
Innovate, Differentiate  
Think, Act, Save**

## Nitec History

Until 2022 NITEC was a company of the Fineldo Holding of which other companies such as Hotpoint–Ariston, Indesit Company and Sholtes were part.

From 1976 to 1991 NITEC as EPC (Engineering Procurement & Construction) built in China with its Italian technology, production plants for the Haier and Midea companies.

In addition to maintaining its role as the only worldwide distributor of spare parts for the group companies, the experience gained has allowed NITEC to continue the role of EPC in the field of renewable energy, constructing large plants in Europe, South Africa and Latin America, on behalf of investors such as Enel Green Power, China Yangtze Power, LG Energy Solution.

In 2009 NITEC developed together with an important Japanese company the technology for the production of electrical green motors also for the HVAC sector, producing for the United States and Canada markets.

In 2023 NITEC landed in Europe to offer its high quality and competitive fan motors.



# HIGH Quality High Eficency, The Highest Performance

## MISSION

Peak performers see the ability to manage change as a necessity in fulfilling their missions

## VISION

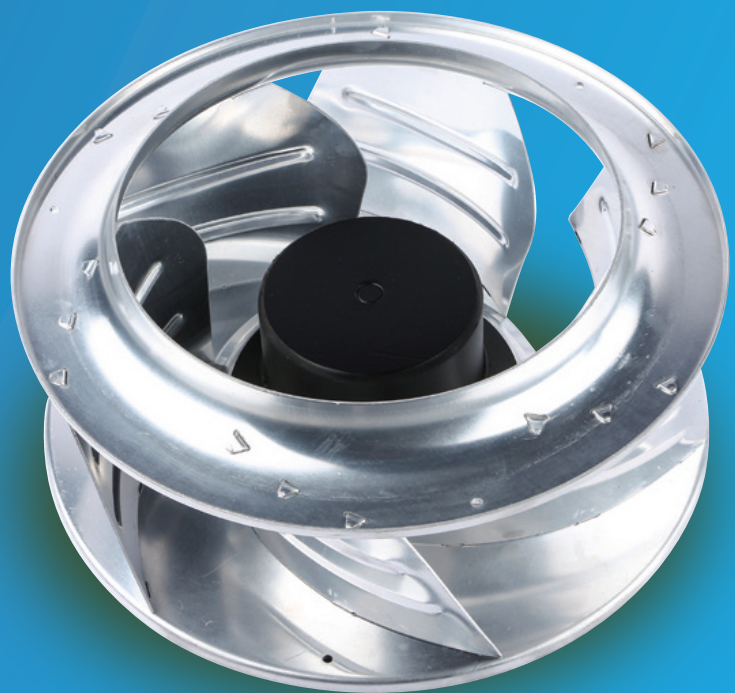
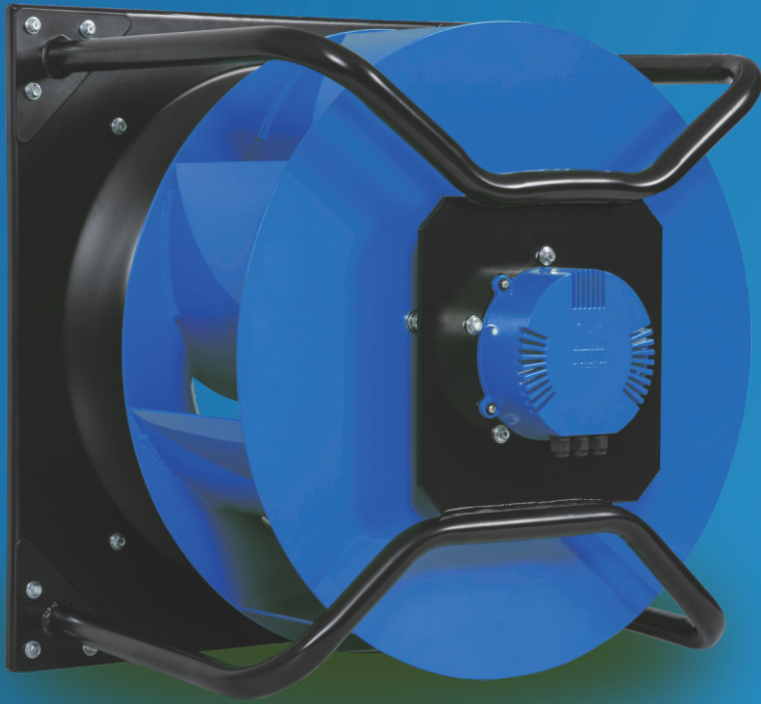
To succeed in your mission, you must have single-minded devotion to your goal

## VALUES

- Punctuality
- Eficency
- Support
- Devotion

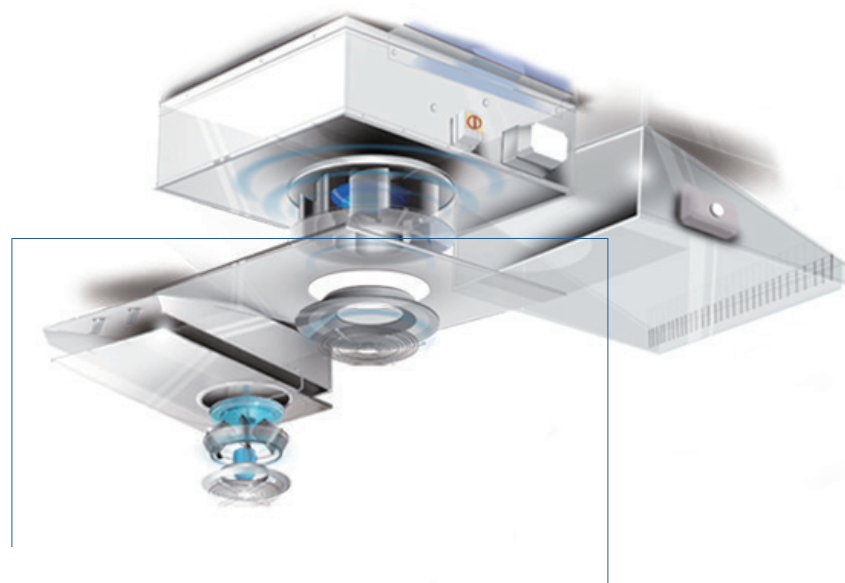


<b>NECC LINE   EC CENTRIFUGAL .....</b>	<b>7</b>
<b>NACC LINE   AC CENTRIFUGAL .....</b>	<b>25</b>
<b>NDC LINE   DC CENTRIFUGAL .....</b>	<b>39</b>

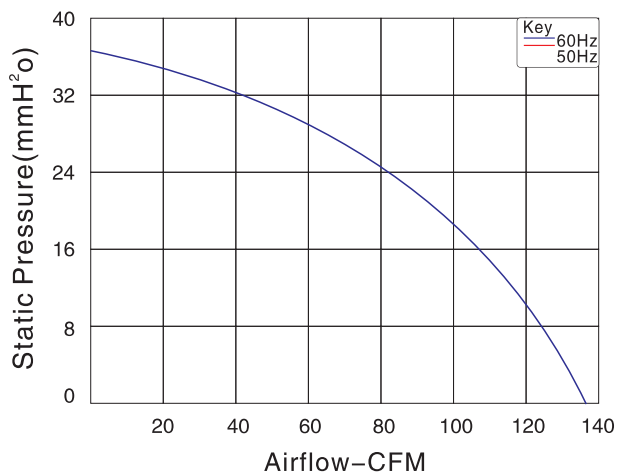
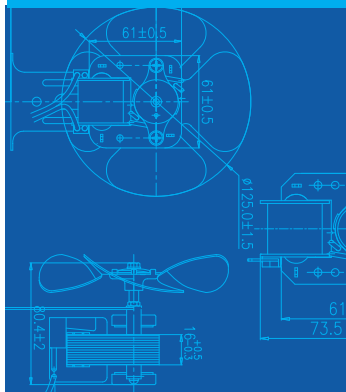


# DC/EC CENTRIFUGAL FAN

The series of the EC&DC centrifugal fans adopt the EC&DC high efficiency motors. The voltage includes DC 24V, DC48V, AC110, AC220, frequency 50/60Hz. Apply to the occasions of high volume airflow, high voltage, high resistance, and low noise, such as the air purifier and roof ventilator.

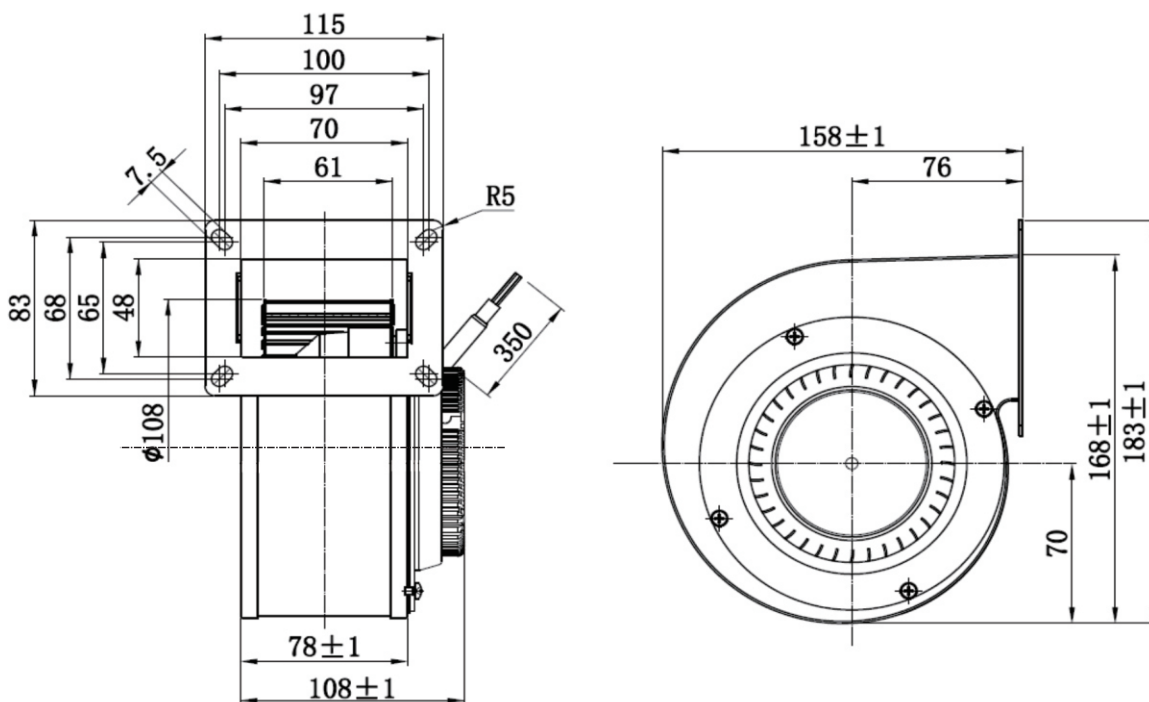


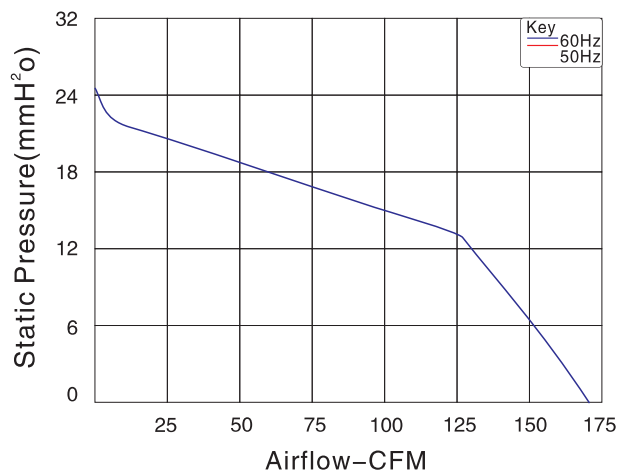
# NECC LINE EC CENTRIFUGAL



Size :  $\varnothing 108\text{mm} \times 62\text{mm}$   
 Airflow : 136.2CFM  
 Noise : 63.2dB(A)  
 Impeller Material : Metal  
 Operation mode : S1  
 Operating Temperature :  $-10^{\circ}\text{C} \sim +65^{\circ}\text{C}$   
 Type of protection : IP44  
 Insulation class: "B"

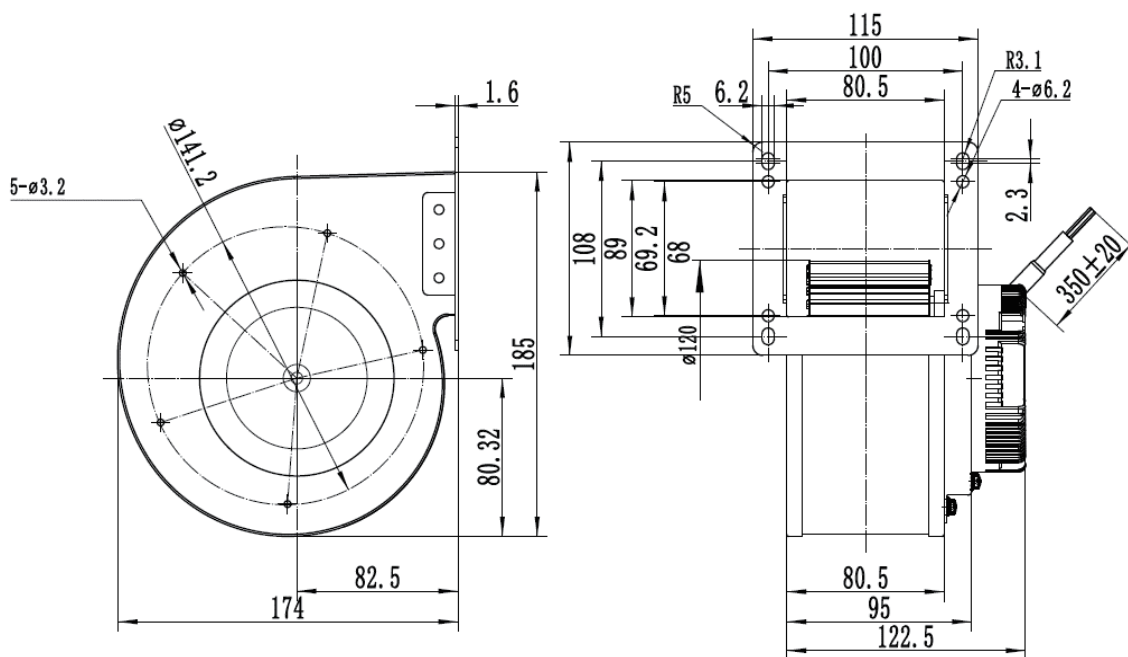
Model	Voltage VAC	Freq. Hz	Current A	Power W	Speed RPM	Air Flow CFM	Static Pressure mmH <sub>2</sub> O	Noise dB(A)
NECC-10862	230	50/60	0.26	57	2800	136.2	37.9	63.2



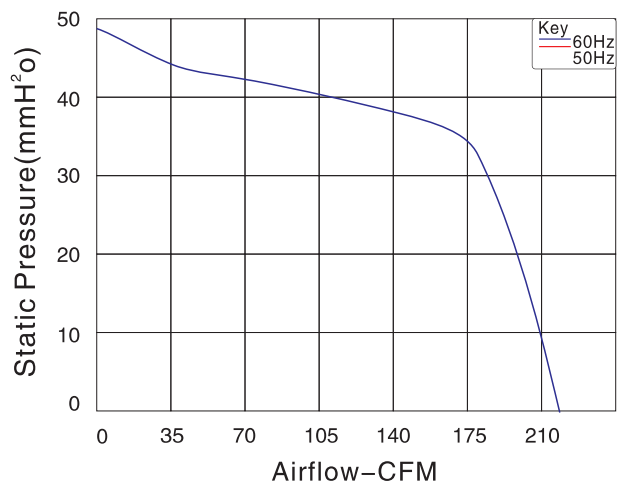


Size :  $\varnothing$  120mm $\times$ 62mm  
 Airflow : 172CFM  
 Noise : 57.8dB(A)  
 Impeller Material : Metal  
 Operation mode : S1  
 Operating Temperature : -10°C ~ +65°C  
 Type of protection : IP44  
 Insulation class: "B"

Model	Voltage VAC	Freq. Hz	Current A	Power W	Speed RPM	Air Flow CFM	Static Pressure mmH <sub>2</sub> O	Noise dB(A)
NECC-12062	230	50/60	0.25	54	2400	172	24.5	57.8

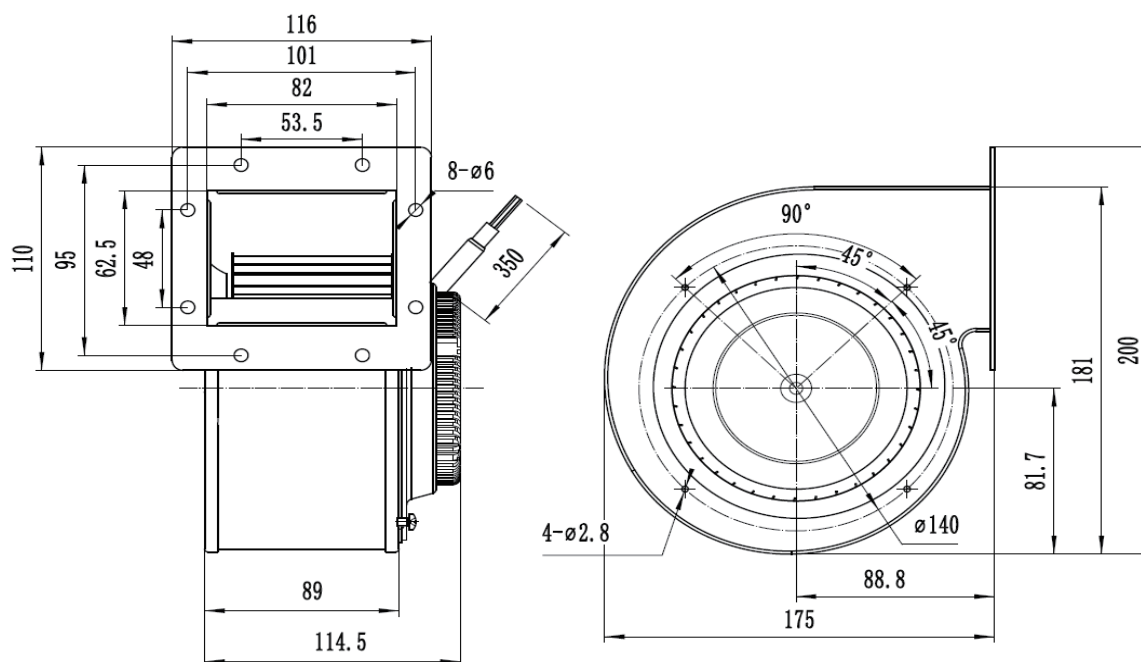




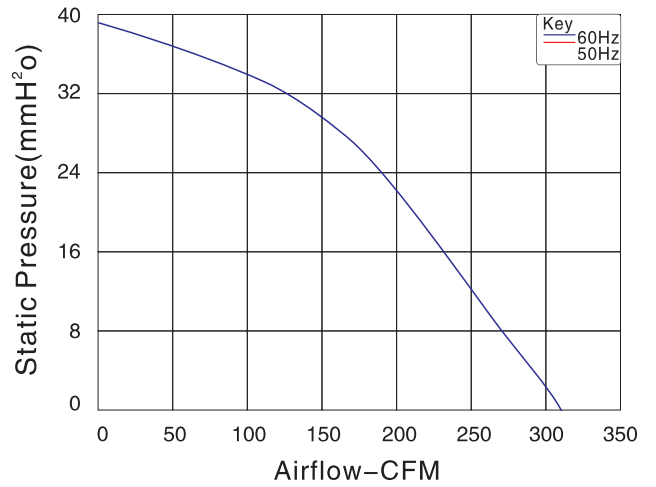
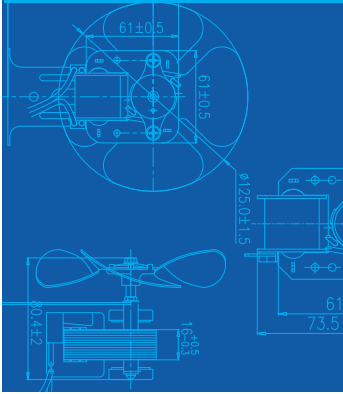


Size :  $\varnothing 133\text{mm} \times 74\text{mm}$   
 Airflow : 224CFM  
 Noise : 58.2dB(A)  
 Impeller Material : Metal  
 Operation mode : S1  
 Operating Temperature :  $-10^{\circ}\text{C} \sim +65^{\circ}\text{C}$   
 Type of protection : IP44  
 Insulation class: "B"

Model	Voltage VAC	Freq. Hz	Current A	Power W	Speed RPM	Air Flow CFM	Static Pressure mmH <sub>2</sub> O	Noise dB(A)
NECC-13374	230	50/60	0.37	82	2200	224	48	58.2

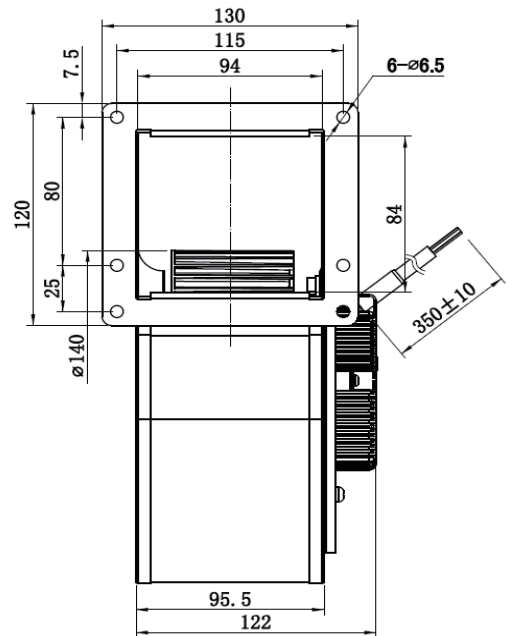
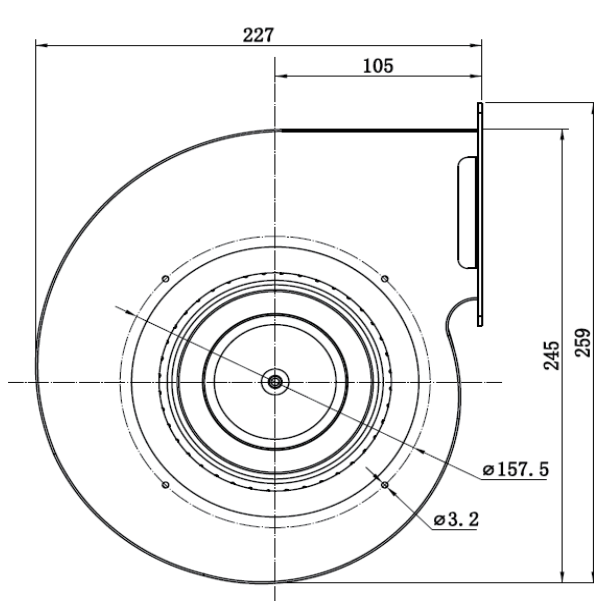


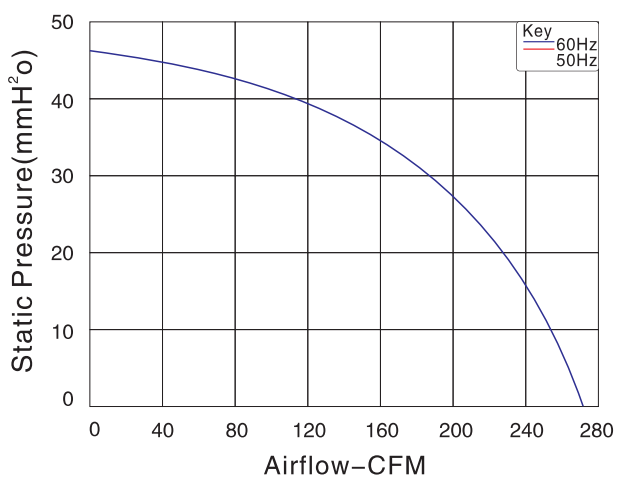
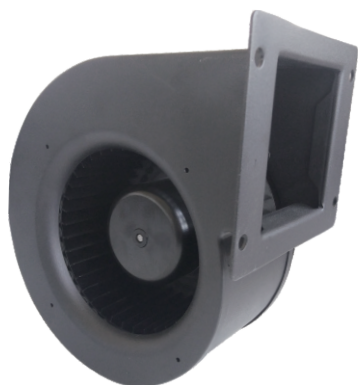
# NECC LINE EC CENTRIFUGAL



Size : Ø 140mm×62mm  
 Airflow : 306CFM  
 Noise : 64dB(A)  
 Impeller Material : PA66  
 Operation mode : S1  
 Operating Temperature : -10°C~+65°C  
 Type of protection : IP44  
 Insulation class: "B"

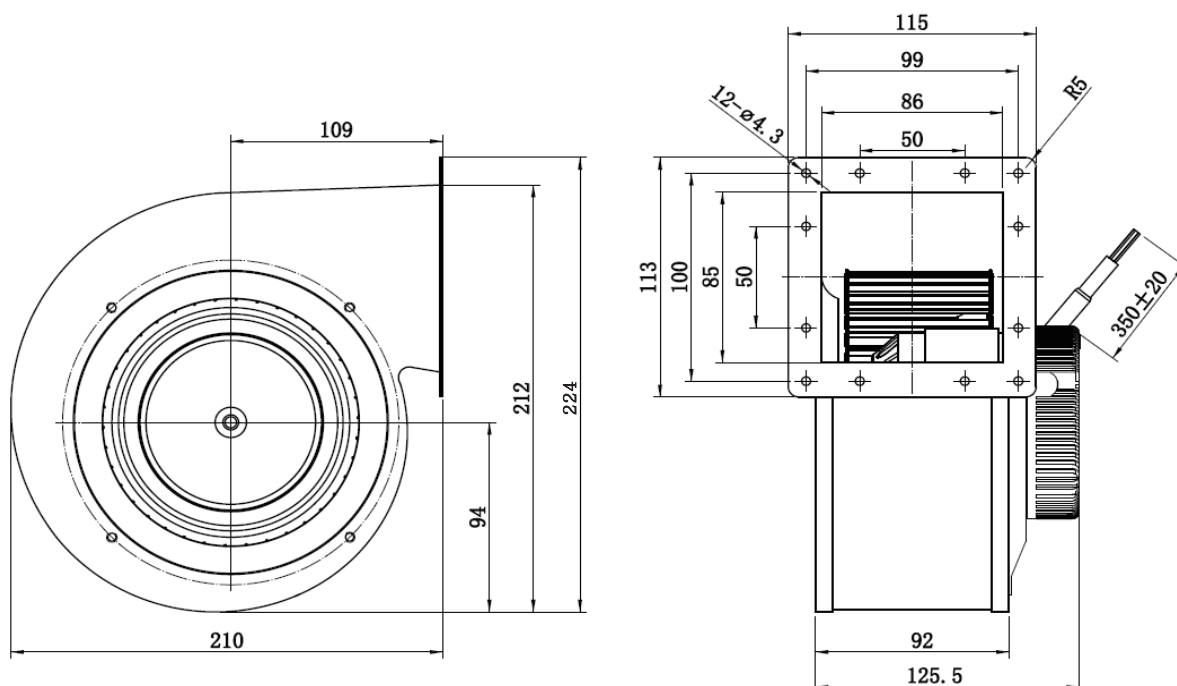
Model	Voltage VAC	Freq. Hz	Current A	Power W	Speed RPM	Air Flow CFM	Static Pressure mmH <sub>2</sub> O	Noise dB(A)
NECC-14062	230	50/60	0.68	108	2000	306	39.3	64



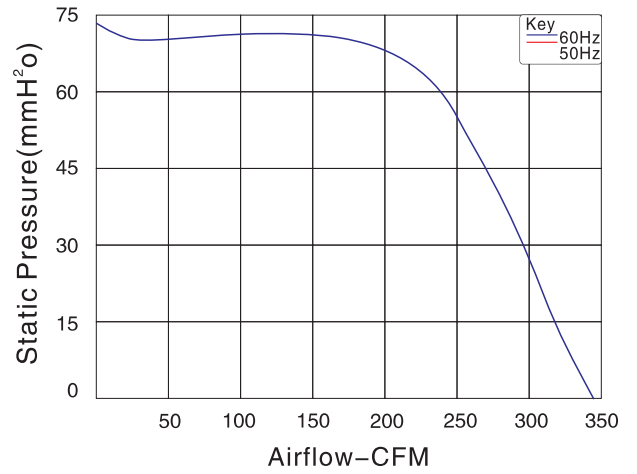
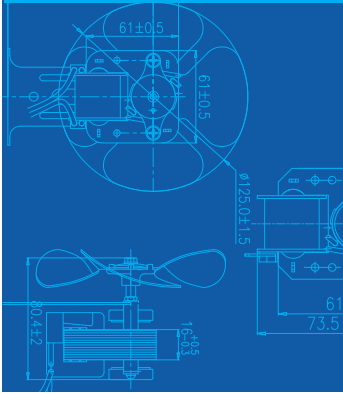


Size :  $\varnothing$  150mm $\times$ 72mm  
 Airflow : 275CFM  
 Noise : 68.1dB(A)  
 Impeller Material : Metal  
 Operation mode : S1  
 Operating Temperature : -10°C ~ +65°C  
 Type of protection : IP44  
 Insulation class: "B"

Model	Voltage VAC	Freq. Hz	Current A	Power W	Speed RPM	Air Flow CFM	Static Pressure mmH <sub>2</sub> O	Noise dB(A)
NECC-15072	230	50/60	0.54	120	2200	275	47.1	68.1

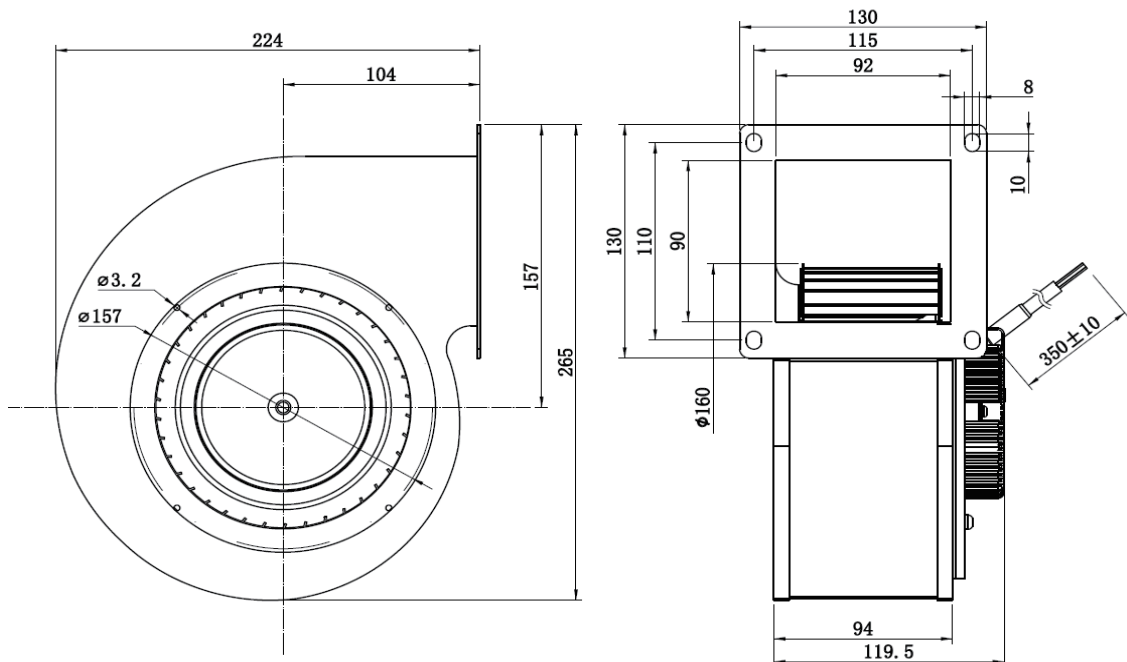


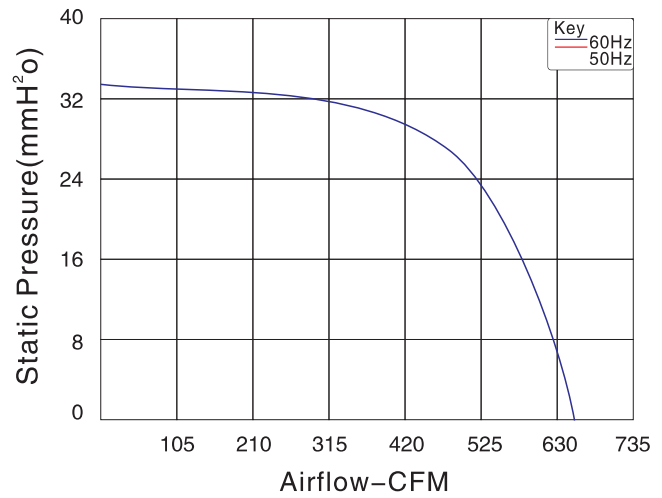
# NECC LINE EC CENTRIFUGAL



Size : Ø 160mm×72mm  
 Airflow : 348.7CFM  
 Noise : 63.5dB(A)  
 Impeller Material : Metal  
 Operation mode : S1  
 Operating Temperature : -10°C ~ +65°C  
 Type of protection : IP44  
 Insulation class: "B"

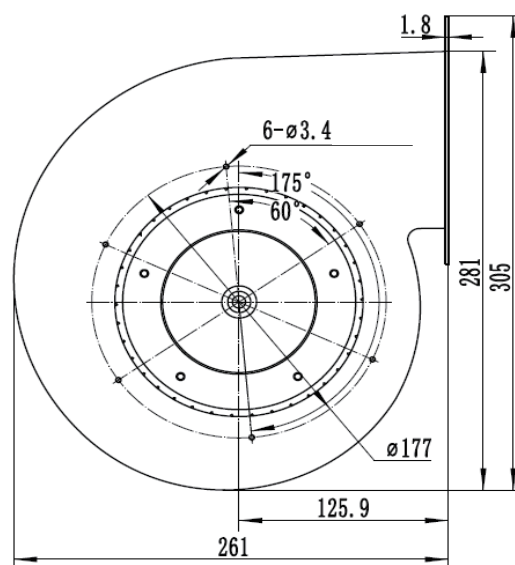
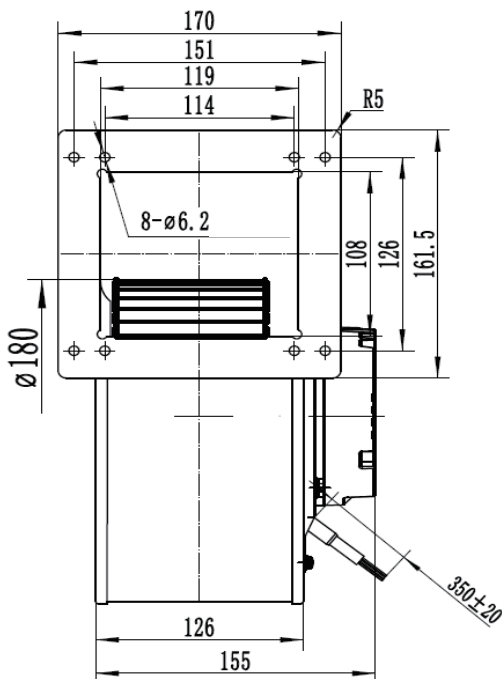
Model	Voltage VAC	Freq. Hz	Current A	Power W	Speed RPM	Air Flow CFM	Static Pressure mmH <sub>2</sub> O	Noise dB(A)
NECC-16072	230	50/60	0.54	120	1950	348.7	59.5	63.5



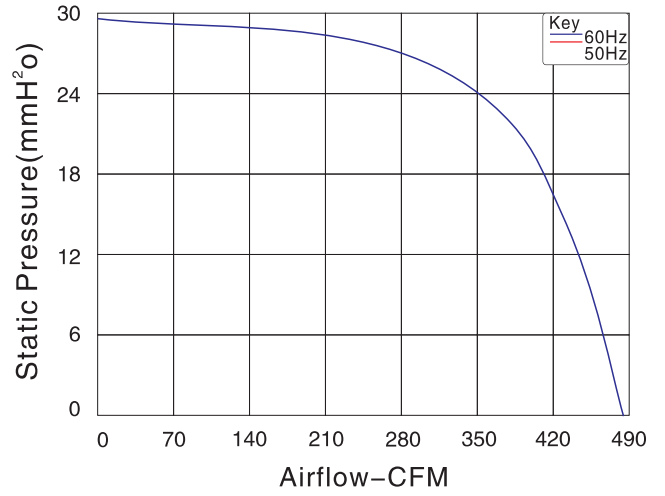
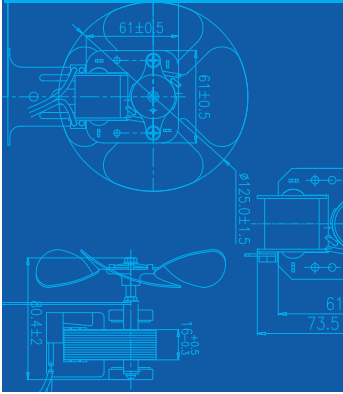


Size :  $\varnothing$  180mm $\times$ 90mm  
 Airflow : 645.2CFM  
 Noise : 67.8dB(A)  
 Impeller Material : Metal  
 Operation mode : S1  
 Operating Temperature : -10°C~+65°C  
 Type of protection : IP44  
 Insulation class:"B"

Model	Voltage VAC	Freq. Hz	Current A	Power W	Speed RPM	Air Flow CFM	Static Pressure mmH <sub>2</sub> O	Noise dB(A)
NECC-18090	230	50/60	0.86	190	1650	645.2	33	67.8

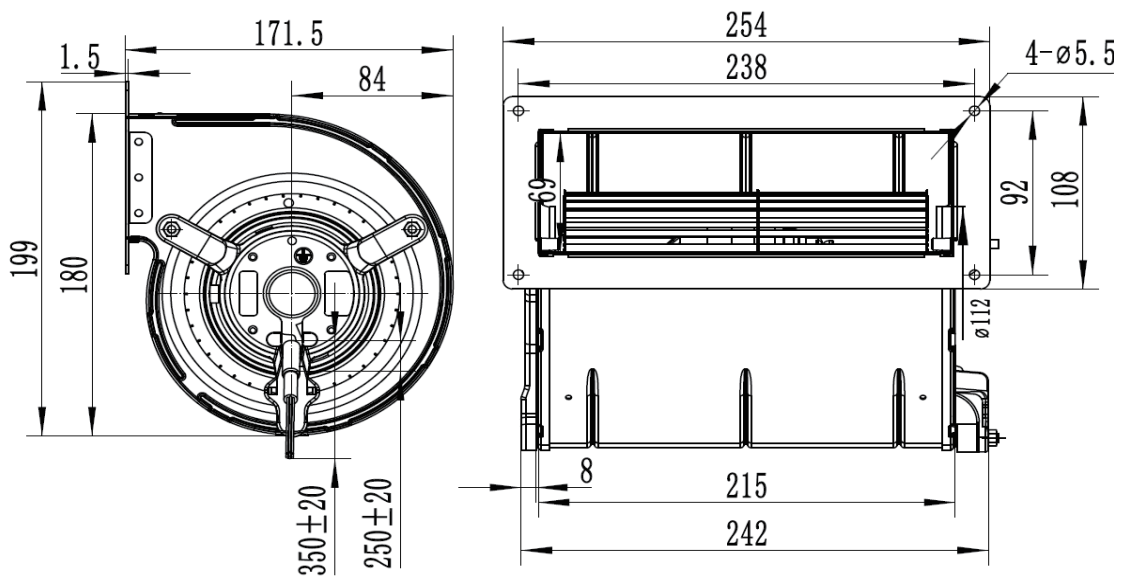


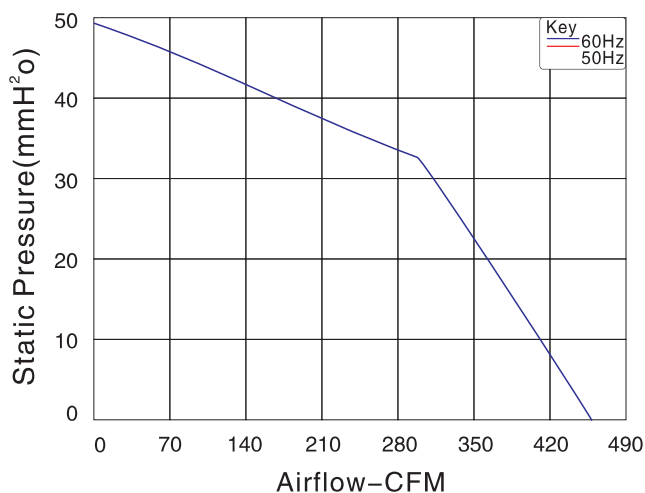
# NECC LINE EC CENTRIFUGAL



Size : Ø 133mm×190mm  
 Airflow : 481.3CFM  
 Noise : 59.3dB(A)  
 Impeller Material : Metal  
 Operation mode : S1  
 Operating Temperature : -10°C ~ +65°C  
 Type of protection : IP44  
 Insulation class: "B"

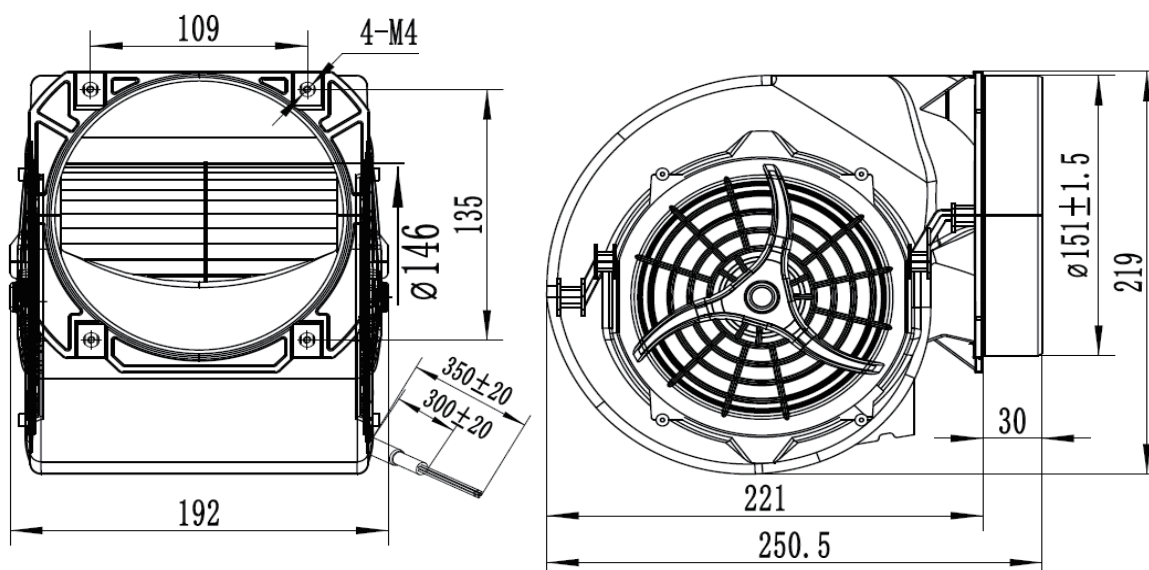
Model	Voltage VAC	Freq. Hz	Current A	Power W	Speed RPM	Air Flow CFM	Static Pressure mmH <sub>2</sub> O	Noise dB(A)
NECC-133190	230	50/60	0.8	158	1800	481.3	30	59.3



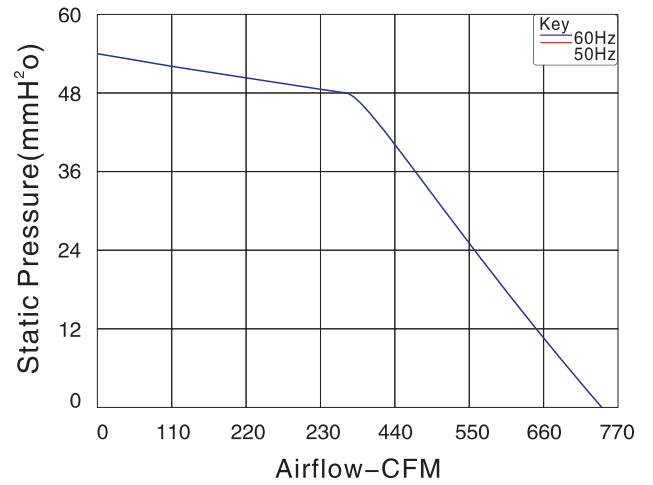
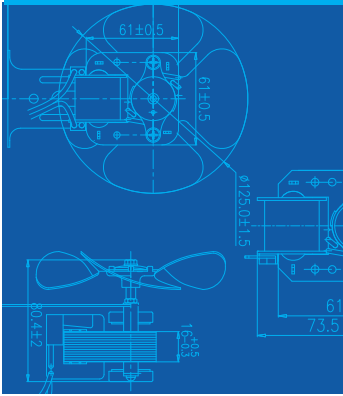


Size :  $\varnothing$  146mm $\times$ 150mm  
 Airflow : 671.2CFM  
 Noise : 68dB(A)  
 Impeller Material : PP  
 Operation mode : S1  
 Operating Temperature : -10°C~+65°C  
 Type of protection : IP44  
 Insulation class:"B"

Model	Voltage VAC	Freq. Hz	Current A	Power W	Speed RPM	Air Flow CFM	Static Pressure mmH <sub>2</sub> O	Noise dB(A)
NECC-146150	230	50/60	0.83	180	2000	671.2	45.9	68

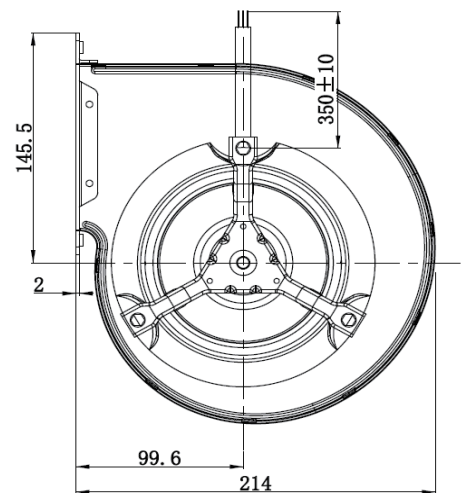
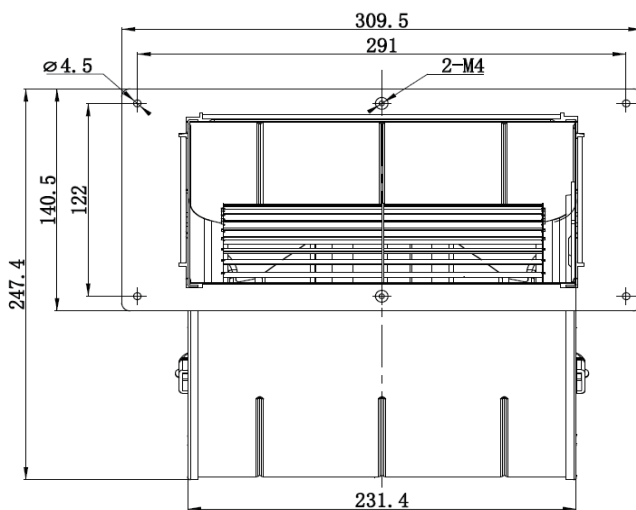


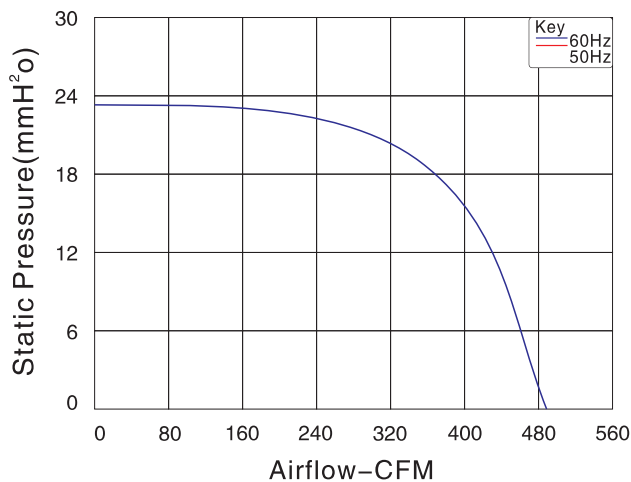
# NECC LINE EC CENTRIFUGAL



Size : Ø 146mm×190mm  
 Airflow : 742.8CFM  
 Noise : 55.5dB(A)  
 Impeller Material : Metal  
 Operation mode : S1  
 Operating Temperature : -10°C ~ +65°C  
 Type of protection : IP44  
 Insulation class: "B"

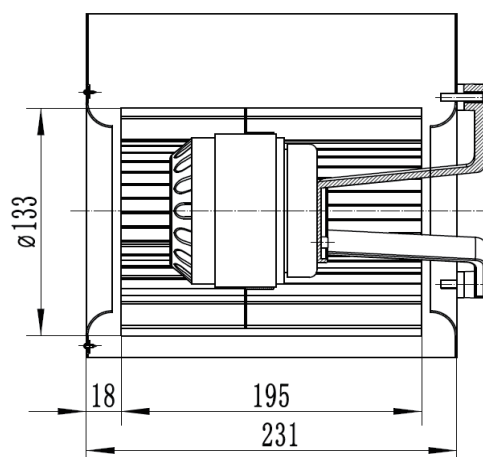
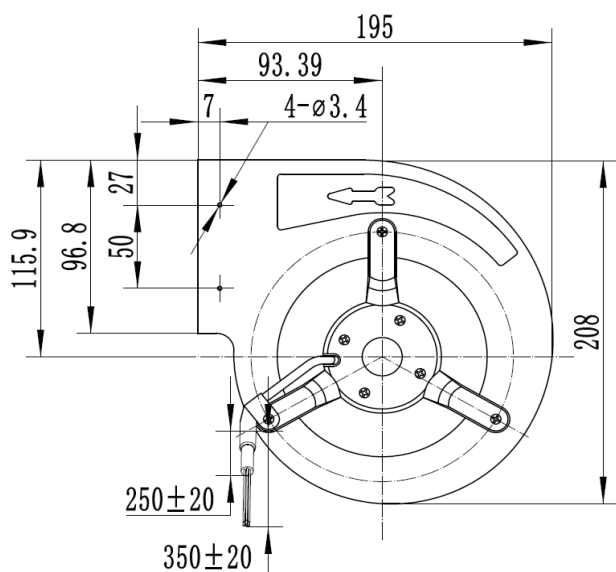
Model	Voltage VAC	Freq. Hz	Current A	Power W	Speed RPM	Air Flow CFM	Static Pressure mmH <sub>2</sub> O	Noise dB(A)
NECC-146190	230	50/60	1	200	1700	742.8	55.5	64.5



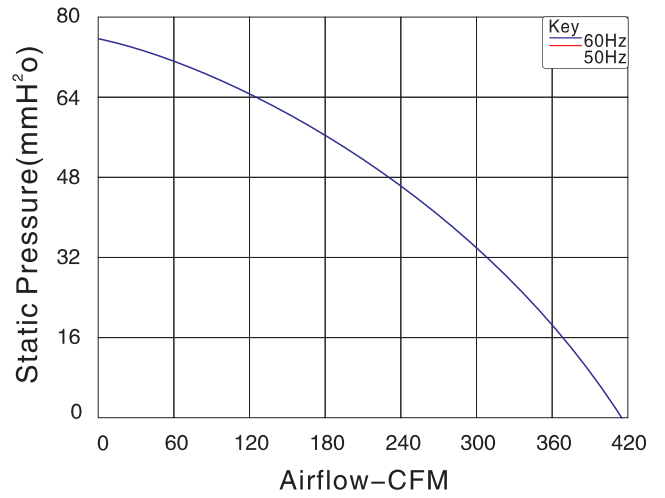
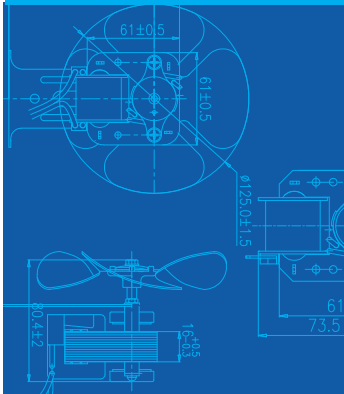


Size :  $\varnothing$  151mm $\times$ 195mm  
 Airflow : 481CFM  
 Noise : 57.9dB(A)  
 Impeller Material : Metal  
 Operation mode : S1  
 Operating Temperature : -10°C~+65°C  
 Type of protection : IP44  
 Insulation class:"B"

Model	Voltage VAC	Freq. Hz	Current A	Power W	Speed RPM	Air Flow CFM	Static Pressure mmH <sub>2</sub> O	Noise dB(A)
NECC-151195	230	50/60	0.54	118	1200	481	23	57.9

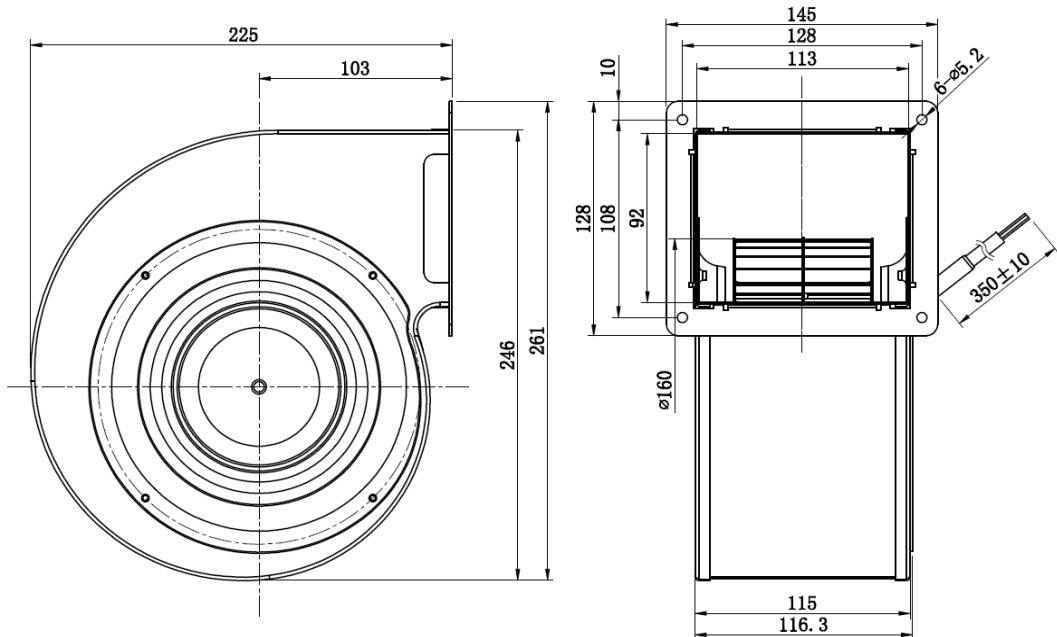


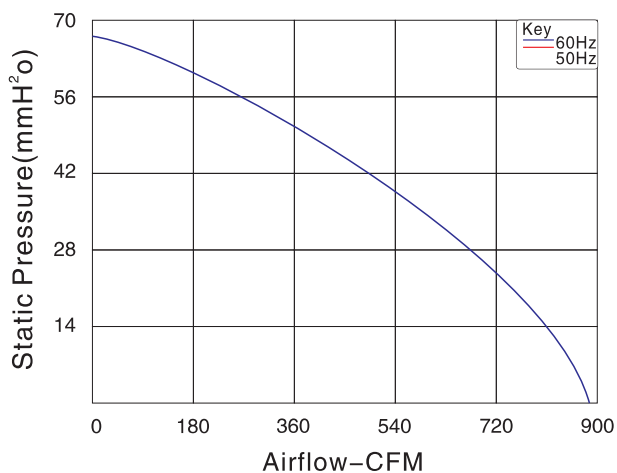
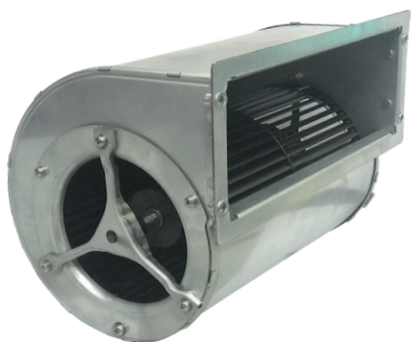
# NECC LINE EC CENTRIFUGAL



Size :  $\varnothing$  160mm×75mm  
 Airflow : 412.4CFM  
 Noise : 59.5dB(A)  
 Impeller Material : Metal  
 Operation mode : S1  
 Operating Temperature : -10°C ~ +65°C  
 Type of protection : IP44  
 Insulation class: "B"

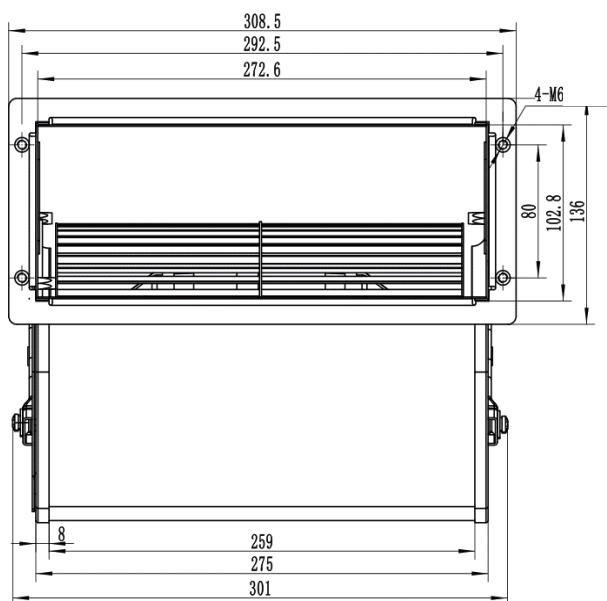
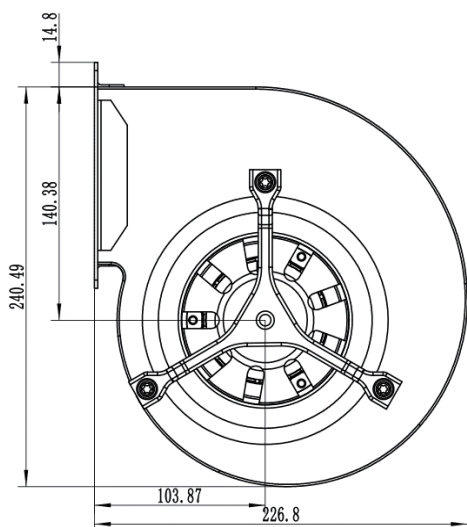
Model	Voltage VAC	Freq. Hz	Current A	Power W	Speed RPM	Air Flow CFM	Static Pressure mmH <sub>2</sub> O	Noise dB(A)
NECC-16075	230	50/60	0.5	110	1400	412.4	75.4	59.5



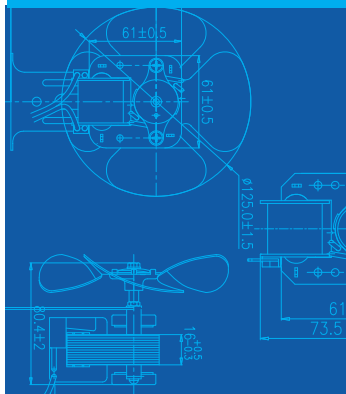


Size : Ø 160mm×250mm  
 Airflow : 870CFM  
 Noise : 64dB(A)  
 Impeller Material : Metal  
 Operation mode : S1  
 Operating Temperature : -10°C ~ +65°C  
 Type of protection : IP44  
 Insulation class: "B"

Model	Voltage VAC	Freq. Hz	Current A	Power W	Speed RPM	Air Flow CFM	Static Pressure mmH <sub>2</sub> O	Noise dB(A)
NECC-160250	230	50/60	1.3	280	1400	870	68	64



# NECC LINE EC CENTRIFUGAL



## ATEX Potentially explosive atmospheres



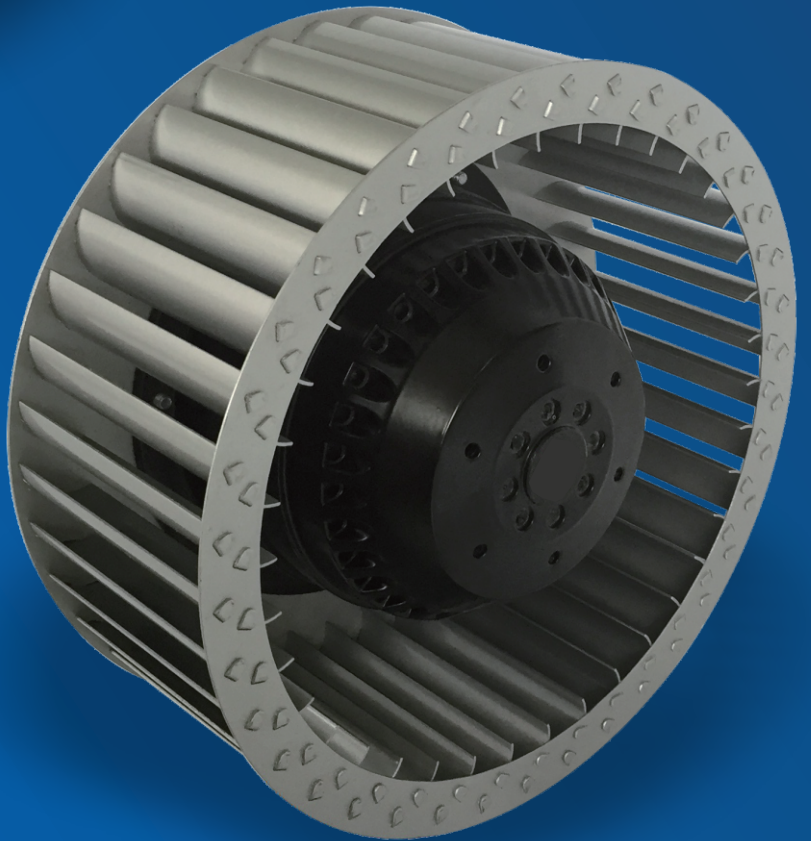
II 3 G Ex nA IIA T5 Gc  
 $-30^{\circ}\text{C} \leq T_a \leq 50^{\circ}\text{C}$



(standard)  
IEC/EN 60079-11  
UL 60079-11 or UL 913  
CSA CS22.2 No.30







# CENTRIFUGAL FAN

NACC series centrifugal fan with external motor has features of compact structure, convenient installation, credible running, lower noise, energy saving and high efficiency.

With wide speed ranges, adapt to both frequency conversion and voltage transformation speed changing active. Our products are widely used in refrigeration and ventilation fields, such as condenser, evaporator, duct fans, ceiling fans, etc.

Voltage & Frequency: single phase motor is 115/220v, 50/60hz, three phase motor is 380V 50/60Hz. We can also supply other fan motors with different voltages and frequencies according to clients' requirement.

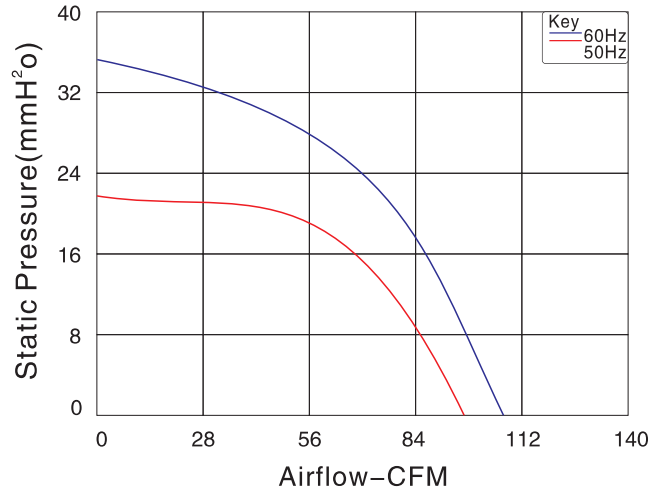
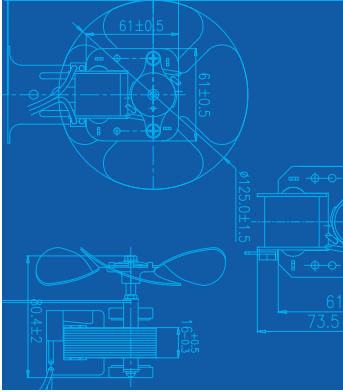
The safety grade of this series is IP54, and the insulation classes are class B or class F.

The applicable ambient temperature of the fan motors used in condenser is from  $-20^{\circ}\text{C}$   $-60^{\circ}\text{C}$  (Can be made to special requirement  $-40^{\circ}\text{C}$   $-70^{\circ}\text{C}$ ). The average service life of motors is more than 40000 hours.

Our products have got CE Certificate and UL Certificate.

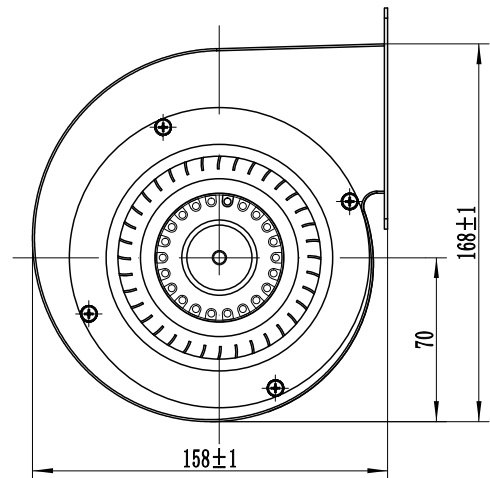
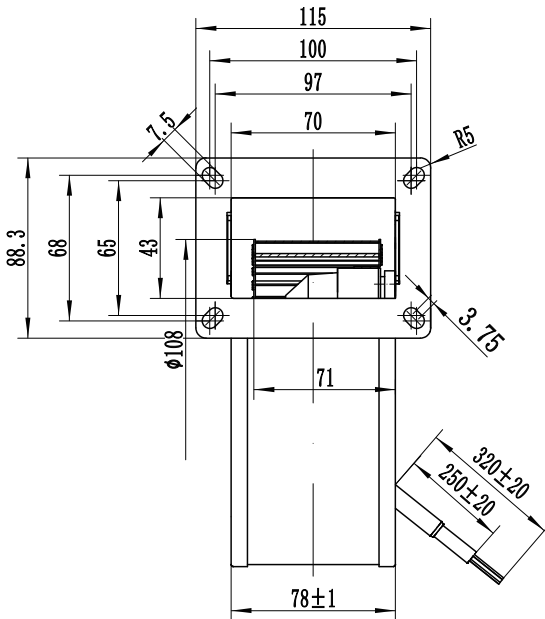
# NACC LINE

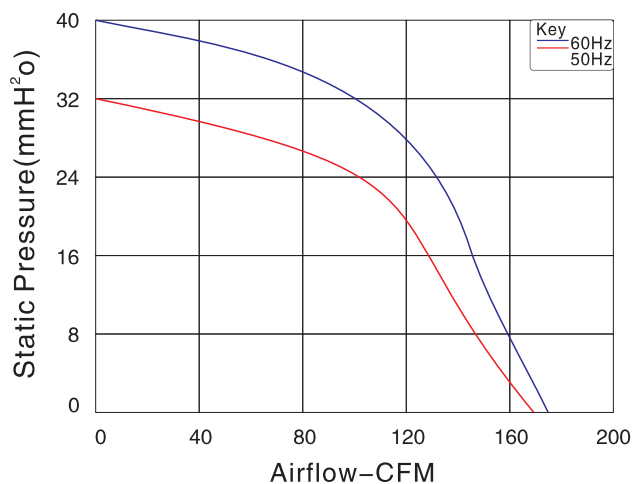
## AC CENTRIFUGAL



Size :  $\varnothing 108\text{mm} \times 50\text{mm}$   
 Weight : 1500g  
 Impeller Material : Metal  
 Motor : Capacitor-Run And External Rotor Induction Motor  
 Lead Wire : Teflon 22# UL 1332(Optional)  
 Operating Temperature :  $-10^{\circ}\text{C} \sim +65^{\circ}\text{C}$   
 Type of protection : IP20  
 Insulation class: "F"

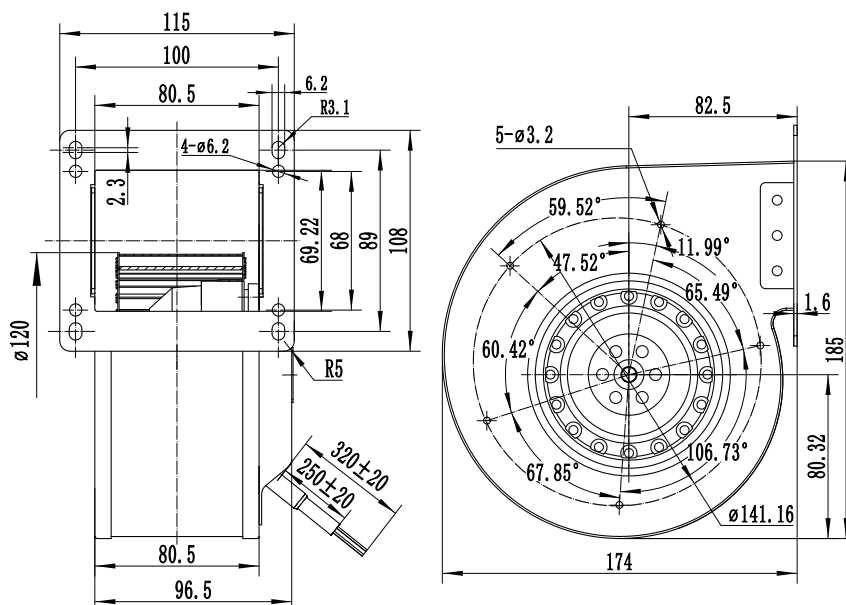
Model	Voltage VAC	Freq. Hz	Current A	Power W	Speed RPM	Noise dBA	Capacitor $\mu\text{F/VAC}$	Air Flow CFM
NACC-18050	230	50/60	0.18/0.25	33/35	1850/2200	56/59	1/500	94/105





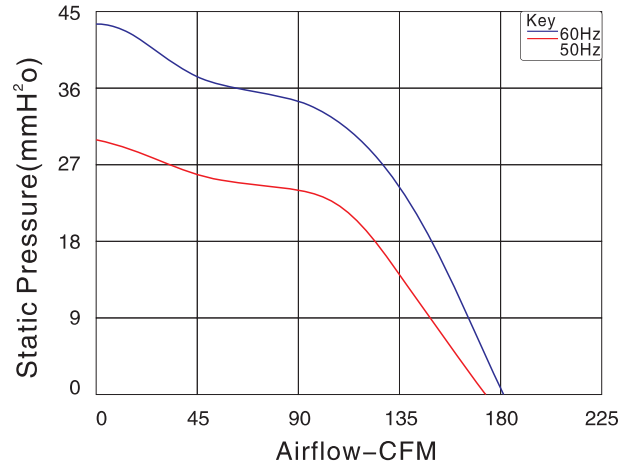
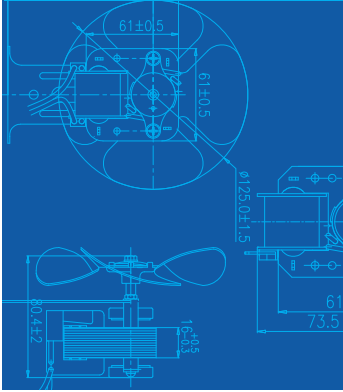
Size :  $\varnothing 120\text{mm} \times 62\text{mm}$   
 Weight : 2500g  
 Impeller Material : Metal  
 Motor : Capacitor-Run And External Rotor Induction Motor  
 Lead Wire : Teflon 22# UL 1332(Optional)  
 Operating Temperature :  $-10^{\circ}\text{C} \sim +65^{\circ}\text{C}$   
 Type of protection : IP44  
 Insulation class: "F"

Model	Voltage VAC	Freq. Hz	Current A	Power W	Speed RPM	Noise dBA	Capacitor $\mu\text{F/VAC}$	Air Flow CFM
NACC-12062U	115	50/60	0.7/0.8	76/95	2400/2500	56/60	8/250	178/185
NACC-12062	230	50/60	0.42/0.48	80/100	2400/2500	56/60	2.2/500	178/185
NACC-12062PH	380	50	0.3	105	2400	56	/	185



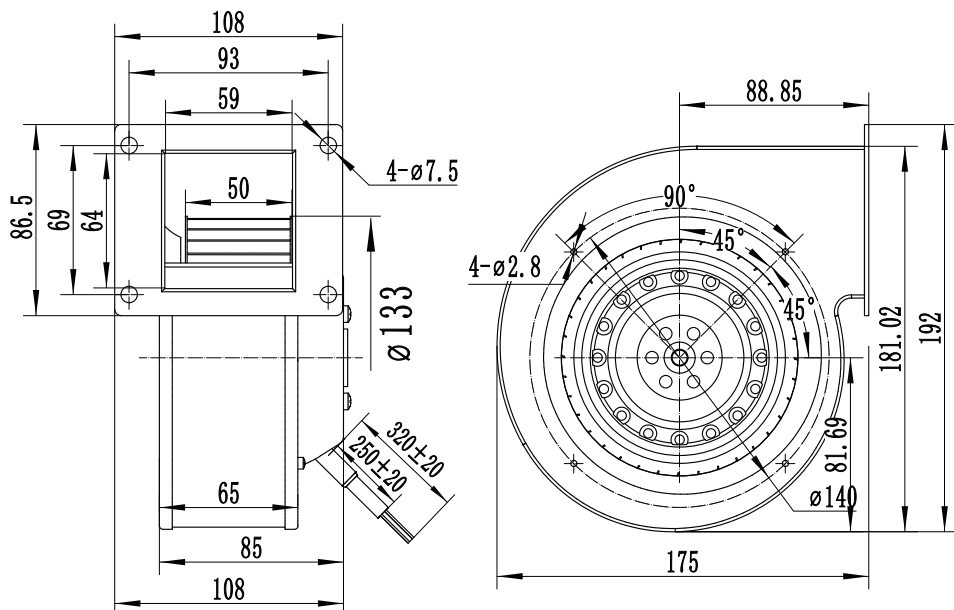
# NACC LINE

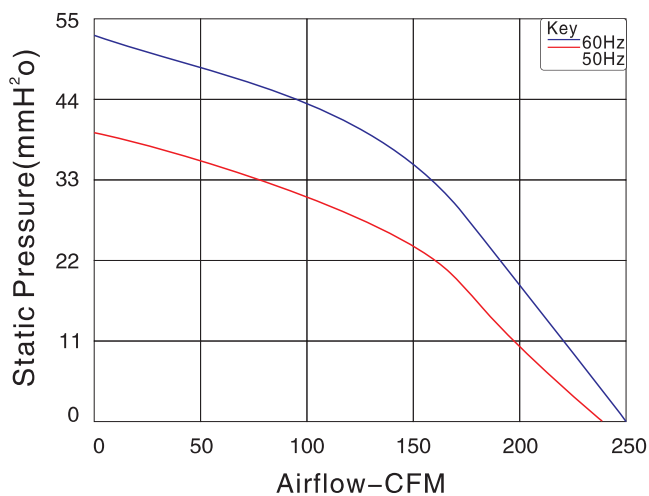
## AC CENTRIFUGAL



Size :  $\varnothing 133\text{mm} \times 50\text{mm}$   
 Weight : 2150g  
 Impeller Material : Metal  
 Motor : Capacitor-Run And External Rotor Induction Motor  
 Lead Wire : Teflon 22# UL 1332(Optional)  
 Operating Temperature :  $-10^{\circ}\text{C} \sim +65^{\circ}\text{C}$   
 Type of protection : IP44  
 Insulation class: "F"

Model	Voltage VAC	Freq. Hz	Current A	Power W	Speed RPM	Noise dB(A)	Capacitor $\mu\text{F/VAC}$	Air Flow CFM
NACC-13050U	115	50/60	0.55/0.7	78/100	2400/2600	62/64	8/250	160/170
NACC-13050	230	50/60	0.45/0.55	80/100	2400/2600	62/64	2.2/500	160/170
NACC-13050PH	380	50	0.15	40	2400	62	/	160





Size :  $\varnothing$  133mm $\times$ 74mm

Weight : 2900g

Impeller Material : Metal

Motor : Capacitor-Run And External Rotor Induction Motor

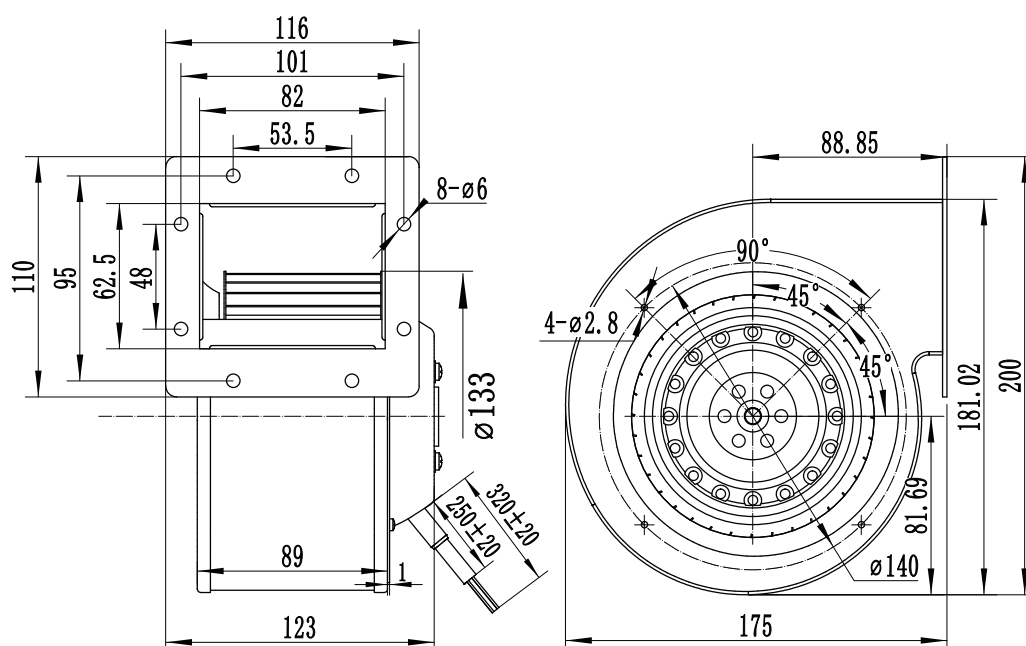
Lead Wire : Teflon 22# UL 1332(Optional)

Operating Temperature : -10°C~+65°C

Type of protection : IP44

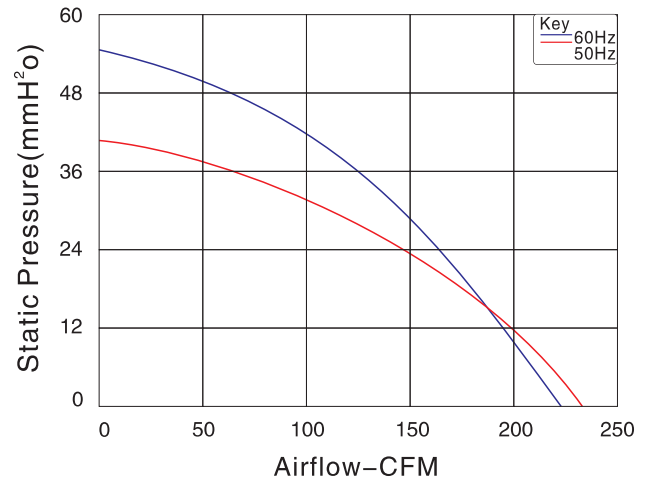
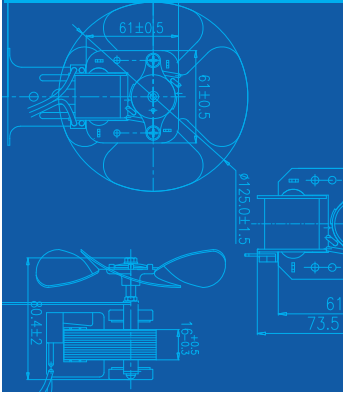
Insulation class:"F"

Model	Voltage VAC	Freq. Hz	Current A	Power W	Speed RPM	Noise dB(A)	Capacitor $\mu$ F/VAC	Air Flow CFM
NACC-13374U	110	50/60	1.5/1.7	140/170	2550/2750	61/63	10/500	240/250
NACC-13374	230	50/60	0.5/0.6	110/130	2550/2750	61/63	4/500	240/230



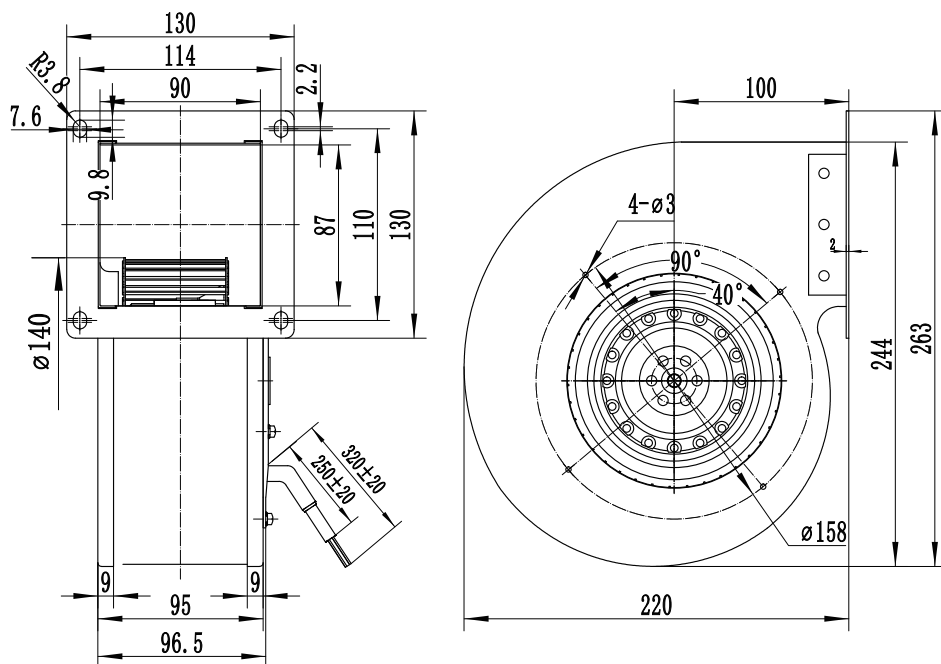
# NACC LINE

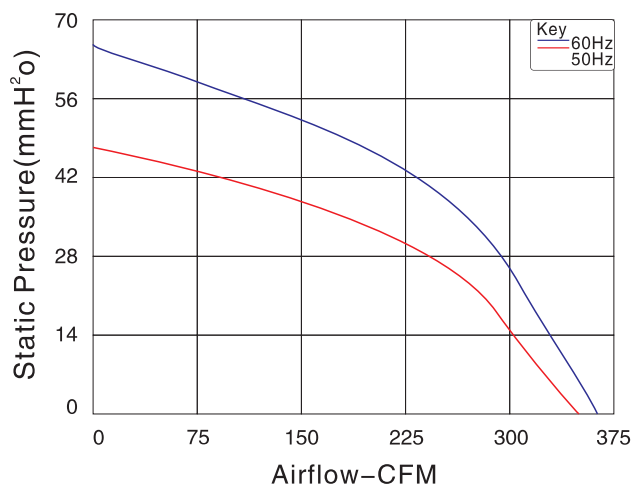
## AC CENTRIFUGAL



Size :  $\varnothing$  140mm $\times$ 61mm  
 Weight : 3500g  
 Impeller Material : Metal  
 Motor : Capacitor-Run And External Rotor Induction Motor  
 Lead Wire : Teflon 22# UL 1332(Optional)  
 Operating Temperature : -10°C~+65°C  
 Type of protection : IP44  
 Insulation class:"F"

Model	Voltage VAC	Freq. Hz	Current A	Power W	Speed RPM	Noise dB(A)	Capacitor $\mu$ F/VAC	Air Flow CFM
NACC-14061	230	50/60	0.52/0.56	160/190	1750/1610	60/59	4/500	234/220





Size : Ø 150mm×72mm

Weight : 3300g

Impeller Material : Metal

Motor : Capacitor-Run And External Rotor Induction Motor

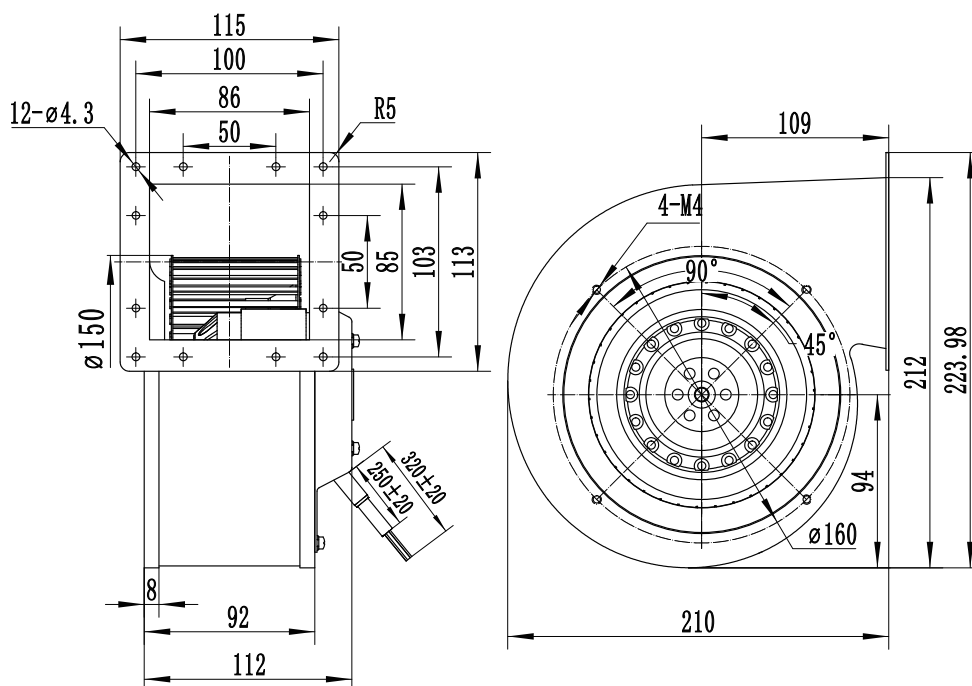
Lead Wire : Teflon 22# UL 1332(Optional)

Operating Temperature : -10°C~+65°C

Type of protection : IP44

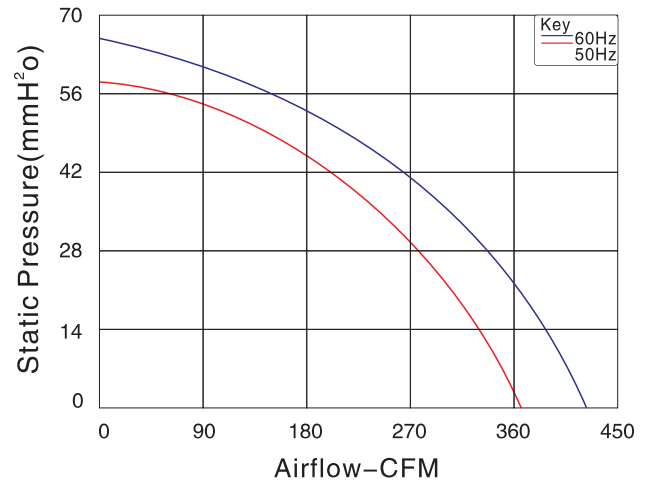
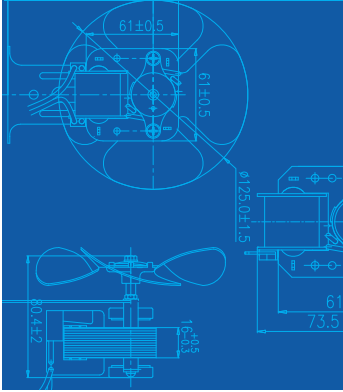
Insulation class:"F"

Model	Voltage VAC	Freq. Hz	Current A	Power W	Speed RPM	Noise dB(A)	Capacitor μF/VAC	Air Flow CFM
NACC-15072U	115	50/60	1.68/2.0	180/220	2400/2500	68/70	20/250	335/350
NACC-15072	230	50/60	0.68/0.9	150/200	2400/2500	68/70	4/500	335/350
NACC-15072PH	380	50/60	1.1/1.2	132/246	2400/2500	68/70	4/500	335/350



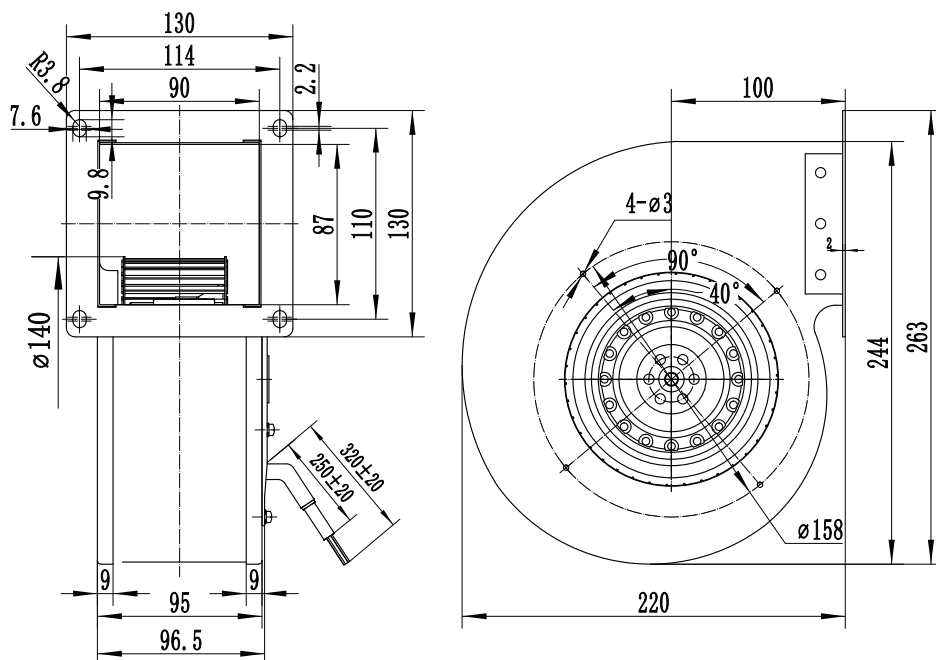
# NACC LINE

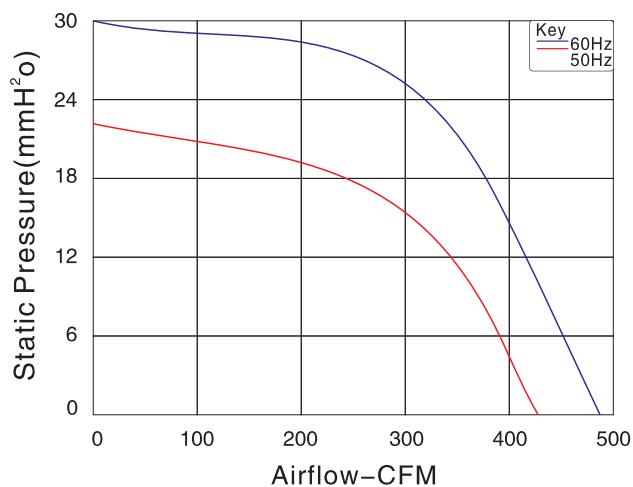
## AC CENTRIFUGAL



Size :  $\varnothing$  160mm $\times$ 61mm  
 Weight : 3500g  
 Impeller Material : Metal  
 Motor : Capacitor-Run And External Rotor Induction Motor  
 Lead Wire : Teflon 22# UL 1332(Optional)  
 Operating Temperature : -10°C~+65°C  
 Type of protection : IP44  
 Insulation class:"F"

Model	Voltage VAC	Freq. Hz	Current A	Power W	Speed RPM	Noise dB(A)	Capacitor $\mu$ F/VAC	Air Flow CFM
NACC-16061U	115	50/60	1.3/1.57	170/207	1800/2200	65/68	20/250	363/424
NACC-16061	230	50/60	0.63/0.73	130/175	1800/2200	65/68	4/630	363/424





Size : Ø 180mm×92mm

Weight : 5100g

Impeller Material : Metal

Motor : Capacitor-Run And External Rotor Induction Motor

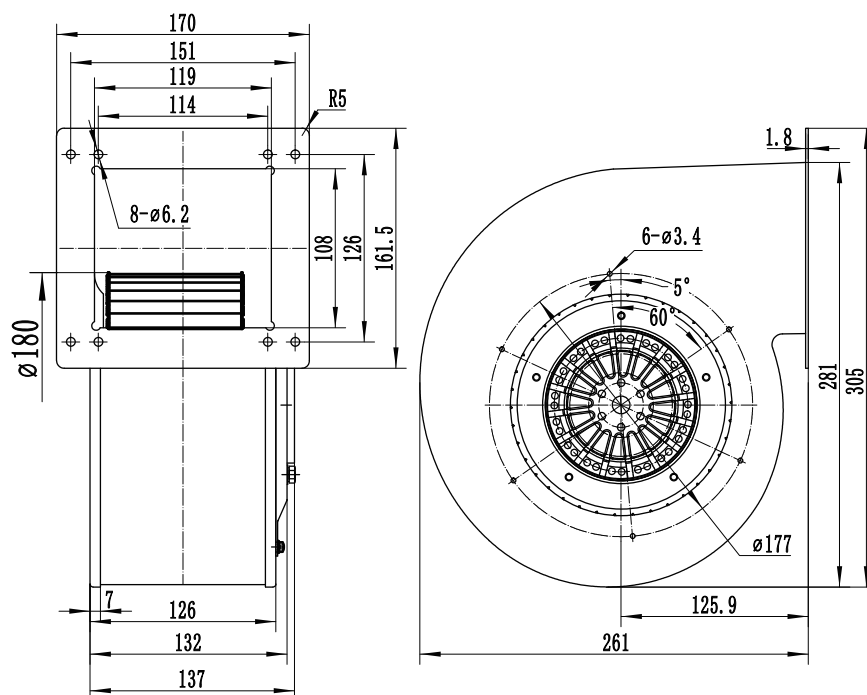
Lead Wire : Teflon 22# UL 1332(Optional)

Operating Temperature : -10°C~+65°C

Type of protection : IP44

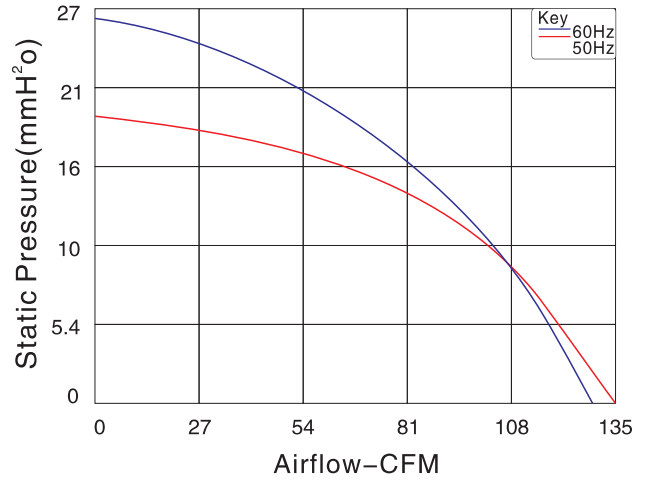
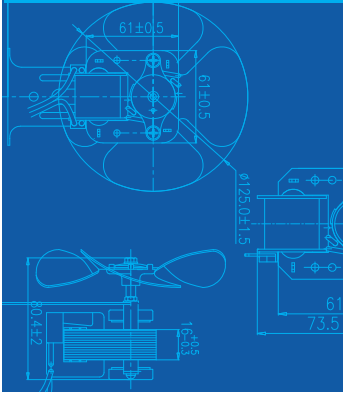
Insulation class:"F"

Model	Voltage VAC	Freq. Hz	Current A	Power W	Speed RPM	Noise dB(A)	Capacitor µF/VAC	Air Flow CFM
NACC-18092U	115	50/60	1.7/1.4	130/160	1350/1550	65/67	20/450	426/471
NACC-18092	230	50/60	0.6/0.9	135/180	1350/1550	65/67	5/500	426/471
NACC-18092PH	380	50	0.3/0.25	135/155	1350/1550	65/67	/	426/471



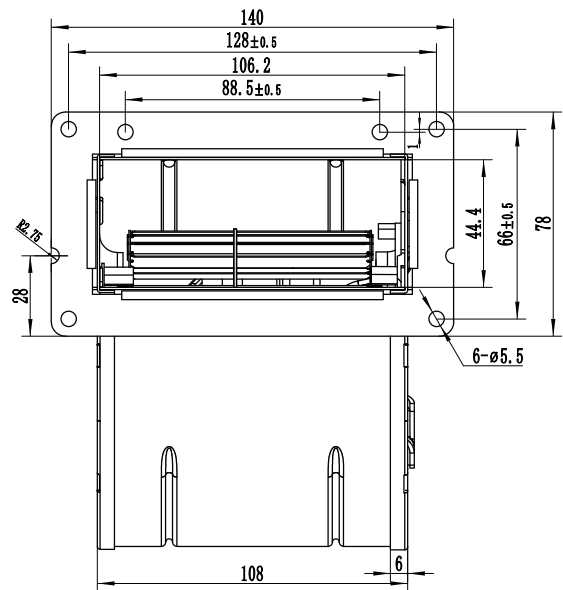
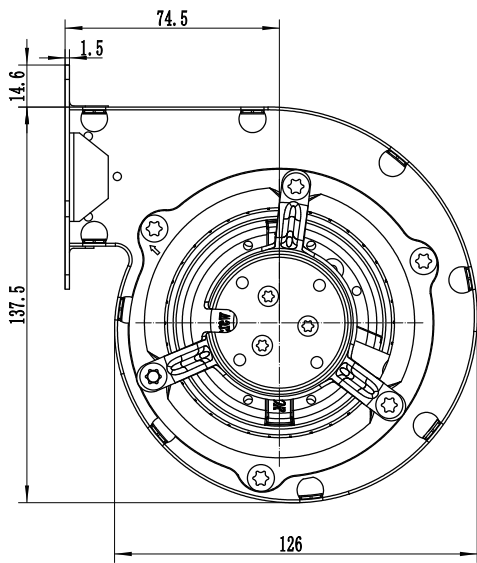
# NACC LINE

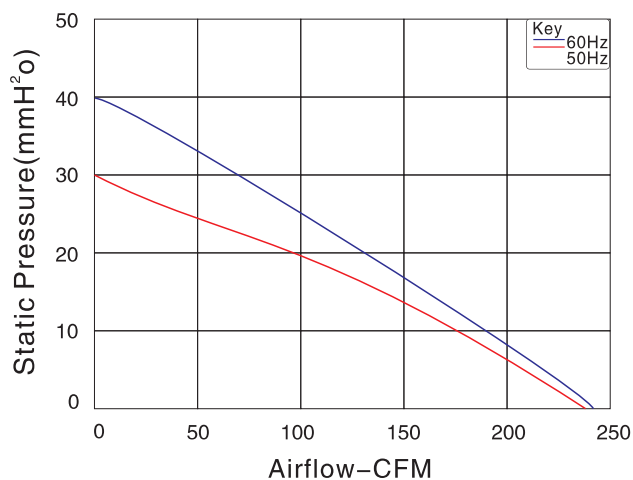
## AC CENTRIFUGAL



Size :  $\varnothing 97\text{mm} \times 85\text{mm}$   
 Weight : 1500g  
 Impeller Material : SGCC  
 Motor : Capacitor-Run And External Rotor Induction Motor  
 Lead Wire : AWG#UL 22#(Optional)  
 Operating Temperature :  $-10^{\circ}\text{C} \sim +65^{\circ}\text{C}$   
 Type of protection : IP42  
 Insulation class: "F"

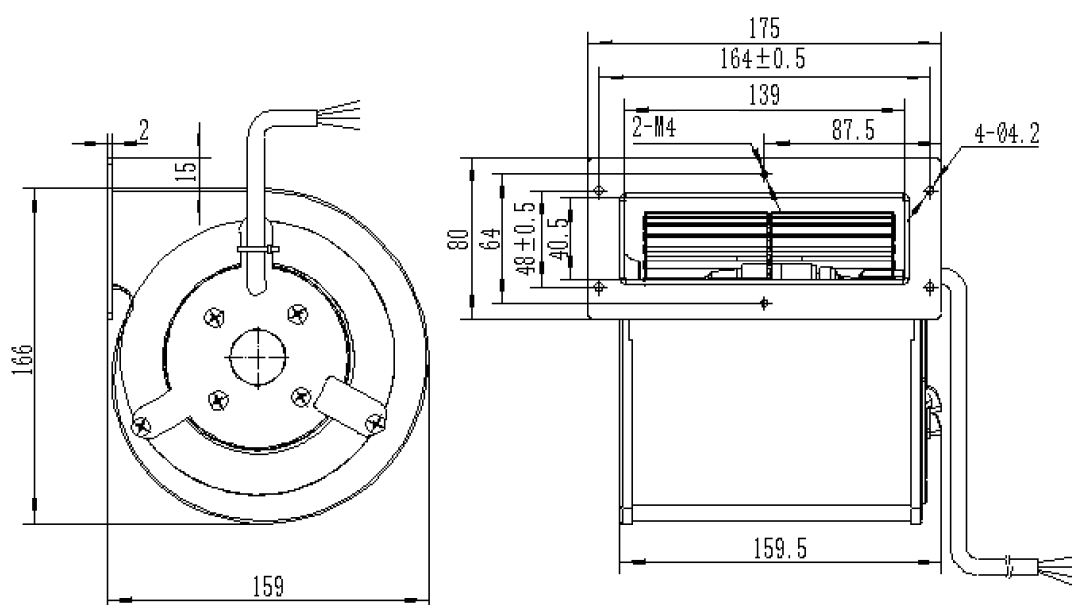
Model	Voltage VAC	Freq. Hz	Current A	Power W	Speed RPM	Noise dB(A)	Capacitor $\mu\text{F/VAC}$	Air Flow CFM
NACC-9785	230	50/60	0.16/0.19	33/40	1800/1750	54/53	1.5/500	134/128





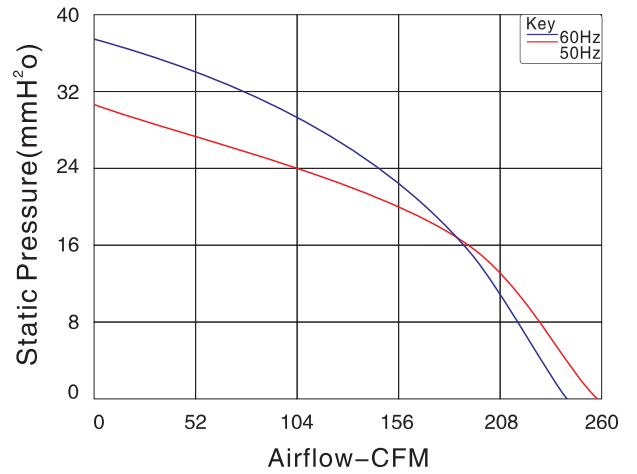
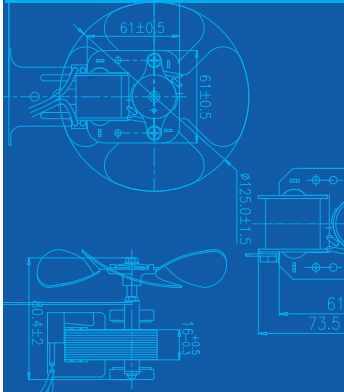
Size :  $\varnothing$  120mm $\times$ 122mm  
 Weight : 3200g  
 Impeller Material : Metal  
 Motor : Capacitor-Run And External Rotor Induction Motor  
 Lead Wire : Teflon 22# UL 1332(Optional)  
 Operating Temperature : -10°C~+65°C  
 Type of protection : IP44  
 Insulation class:"F"

Model	Voltage VAC	Freq. Hz	Current A	Power W	Speed RPM	Noise dB(A)	Capacitor $\mu$ F/VAC	Air Flow CFM
NACC-120122	230	50/60	0.61/0.73	127/168	2400	66	4/630	230/236



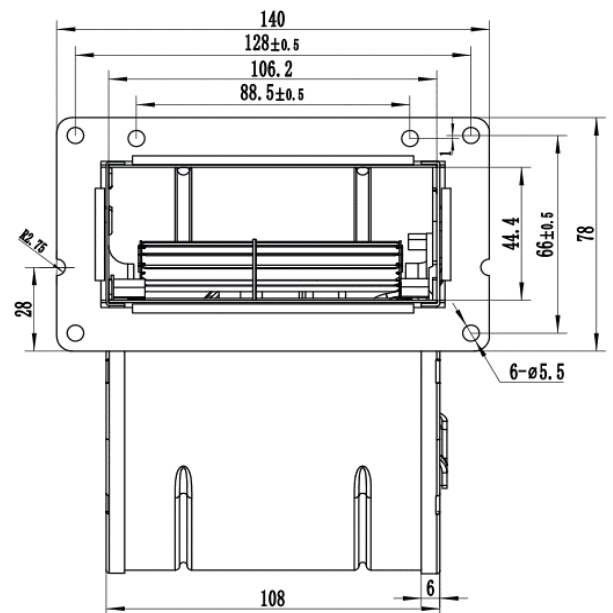
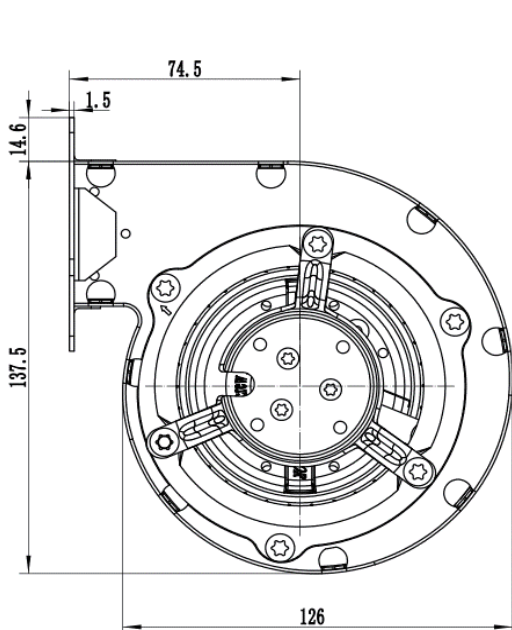
# NACC LINE

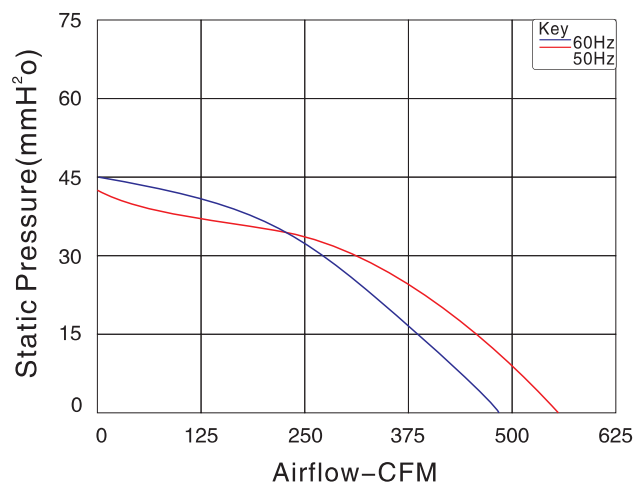
## AC CENTRIFUGAL



Size :  $\varnothing 120\text{mm} \times 133\text{mm}$   
 Weight : 33000g  
 Impeller Material : SGCC  
 Motor : Capacitor-Run And External Rotor Induction Motor  
 Lead Wire : AWG#UL1332 22#(Optional)  
 Operating Temperature :  $-10^{\circ}\text{C} \sim +65^{\circ}\text{C}$   
 Type of protection : IP42  
 Insulation class: "F"

Model	Voltage VAC	Freq. Hz	Current A	Power W	Speed RPM	Noise dB(A)	Capacitor $\mu\text{F/VAC}$	Air Flow CFM
NACC-120133	230	50/60	0.38/0.42	80/90	1550/1450	53/52	2.2/500	256/242





Size : Ø 133mm×190mm

Weight : 3800g

Impeller Material : Metal

Motor : Capacitor-Run And External Rotor Induction Motor

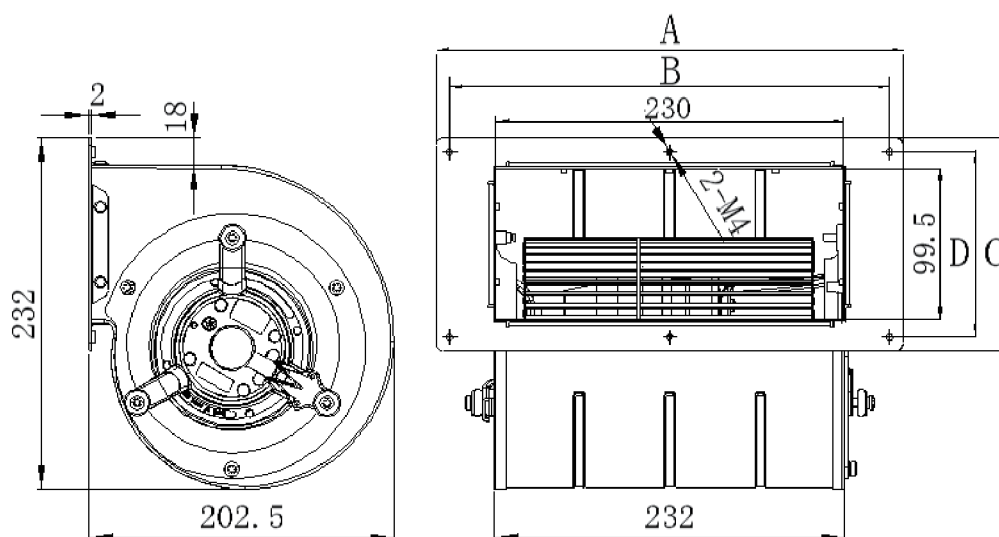
Lead Wire : Teflon 22# UL 1332(Optional)

Operating Temperature : -10°C~+65°C

Type of protection : IP44

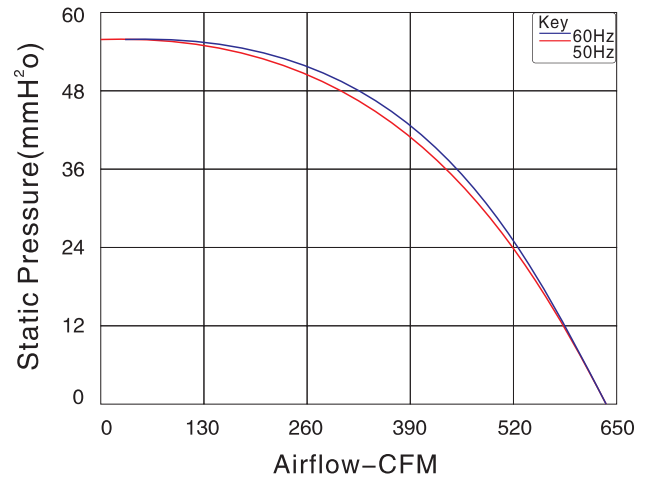
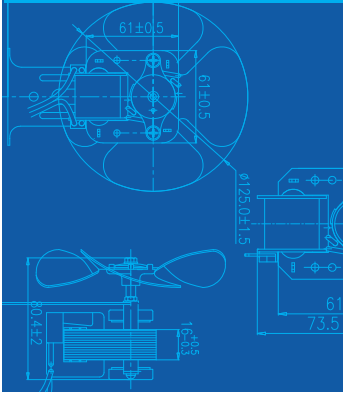
Insulation class:"F"

Model	Voltage VAC	Freq. Hz	Current A	Power W	Speed RPM	Noise dB(A)	Capacitor μF/VAC	Air Flow CFM
NACC-133190U	115	60	1.5	200	1350	56	20/450	565
NACC-133190	230	50/60	0.8/1.3	180/220	1350/1150	56/59	5/500	565/493
NACC-133190PH	380	50	0.3	100	1350	55	/	565



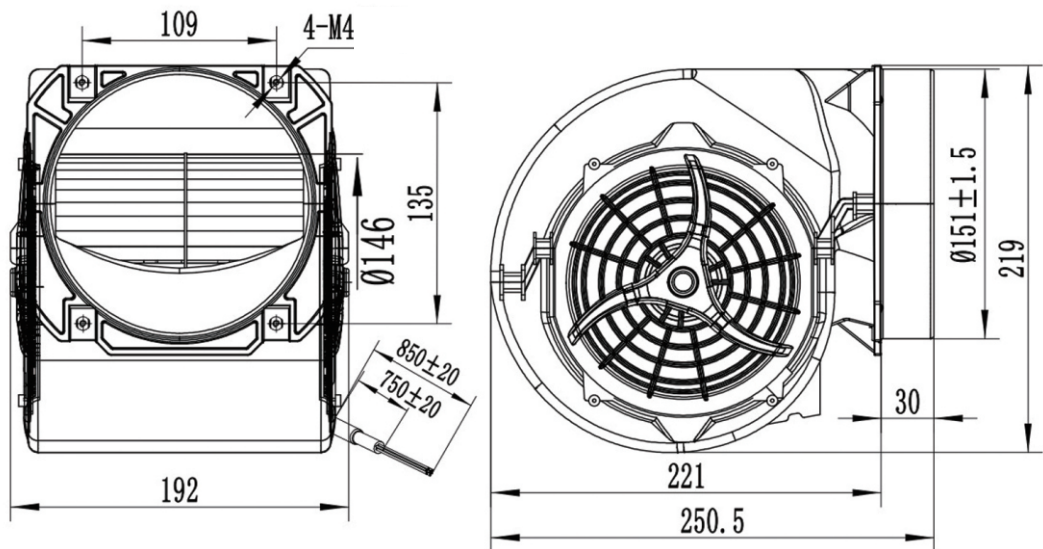
# NACC LINE

## AC CENTRIFUGAL



Size : Ø 146mm×150mm  
 Weight : 3300g  
 Impeller Material : PP  
 Motor : Capacitor-Run And External Rotor Induction Motor  
 Lead Wire : Teflon 22# UL 1332(Optional)  
 Operating Temperature : -10°C~+65°C  
 Type of protection : IP44  
 Insulation class:"F"

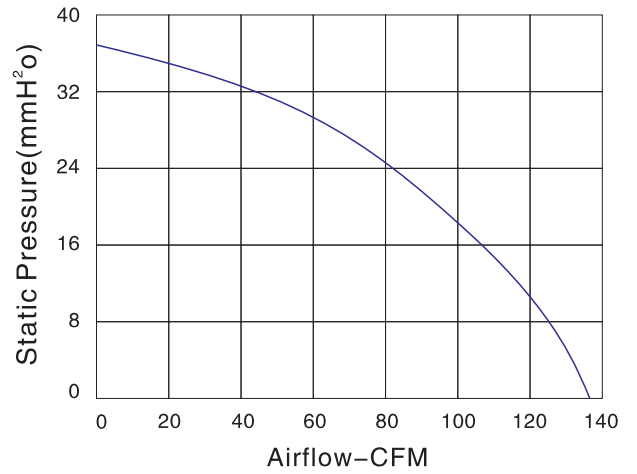
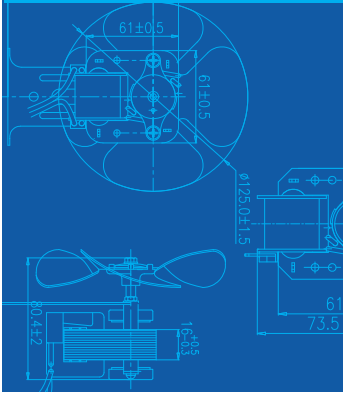
Model	Voltage VAC	Freq. Hz	Current A	Power W	Speed RPM	Noise dB(A)	Capacitor µF/VAC	Air Flow CFM
NACC-146150U	115	60	3	300	1800	66	25/450	624
NACC-146150	230	50	1.2	300	1800	66	10/500	624





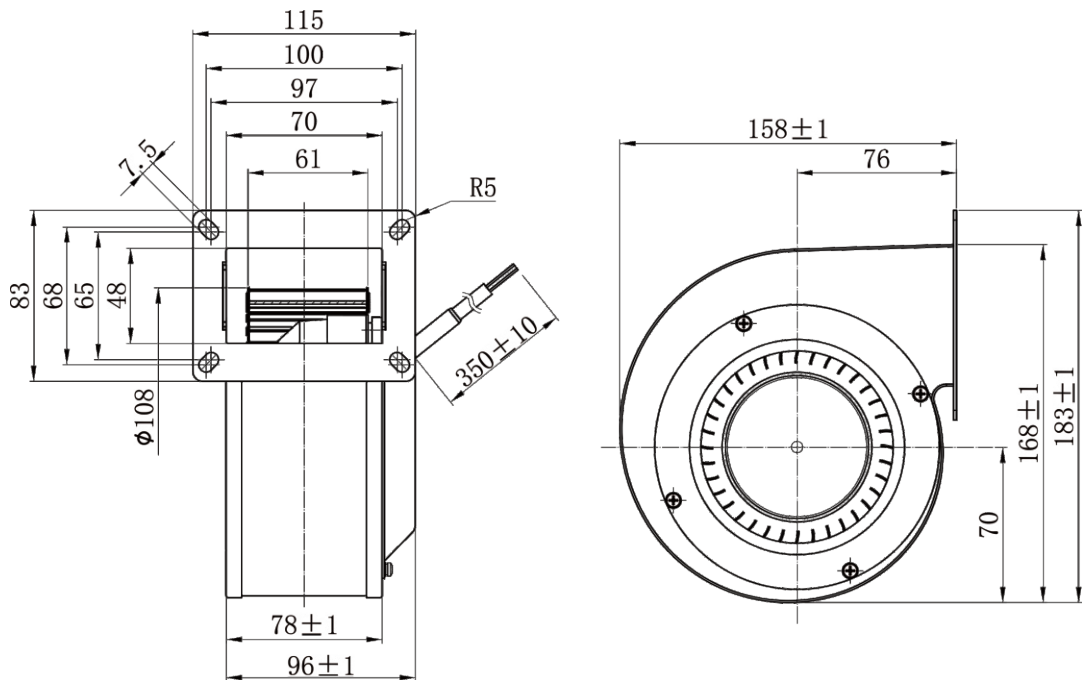
# NDC LINE

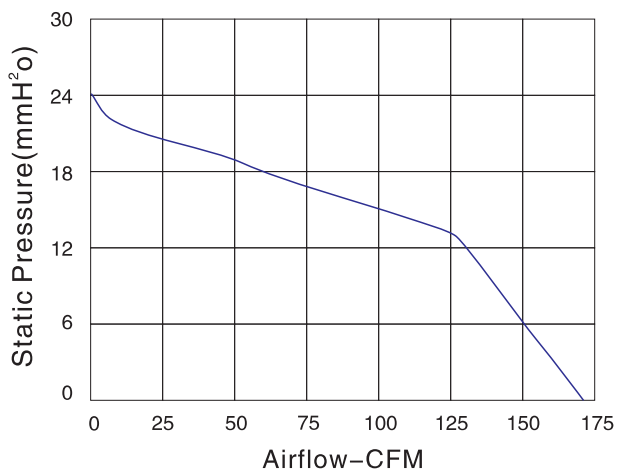
## DC CENTRIFUGAL



Size :  $\varnothing 108\text{mm} \times 62\text{mm}$   
 Airflow : 136.2 CFM  
 Noise : 63.2dB(A)  
 Impeller Material : Metal  
 Operation mode : S1  
 Operating Temperature :  $-10^{\circ}\text{C} \sim +65^{\circ}\text{C}$   
 Type of protection : IP44  
 Insulation class: "B"

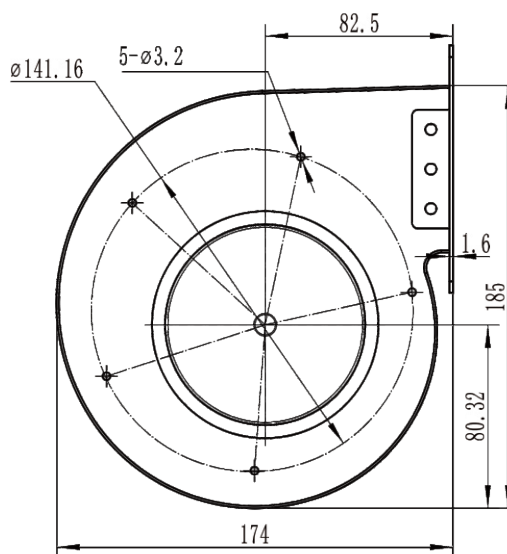
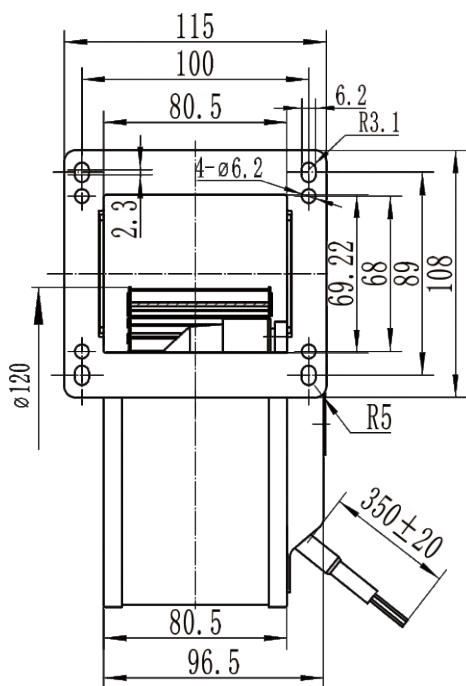
Model	Voltage VDC	Current A	Power W	Speed RPM	Air Flow CFM	Static Pressure mmH <sub>2</sub> O	Noise dB(A)
NDC-10862.24	24	2.4	57	2800	136.2	37.9	63.2





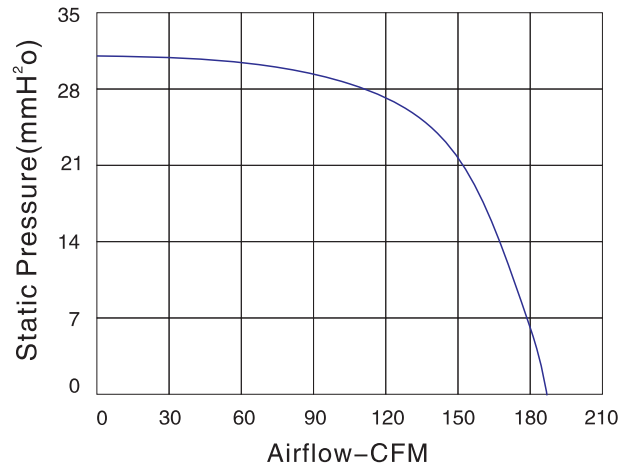
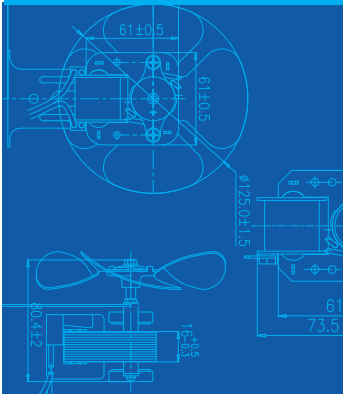
Size :  $\varnothing$  120mm $\times$ 62mm  
 Airflow : 172 CFM  
 Noise : 57.8dB(A)  
 Impeller Material : Metal  
 Operation mode : S1  
 Operating Temperature : -10°C ~ +65°C  
 Type of protection : IP44  
 Insulation class: "B"

Model	Voltage VDC	Current A	Power W	Speed RPM	Air Flow CFM	Static Pressure mmH <sub>2</sub> O	Noise dB(A)
NDC-12062.24	24	2.3	54	2400	172	24.5	57.8



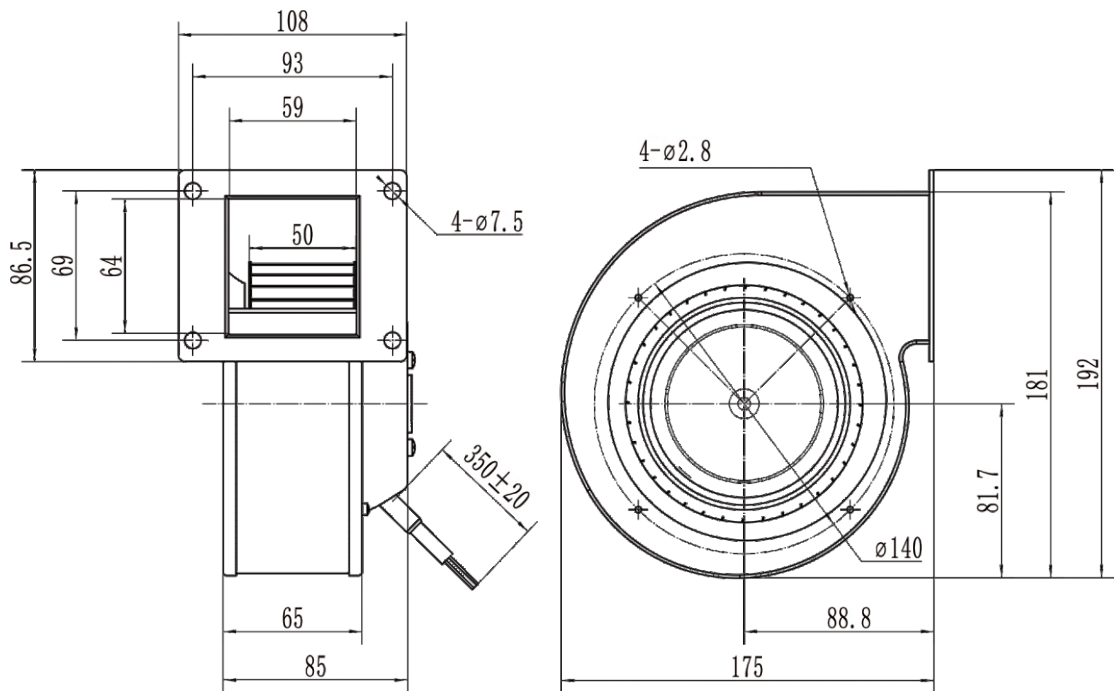
# NDC LINE

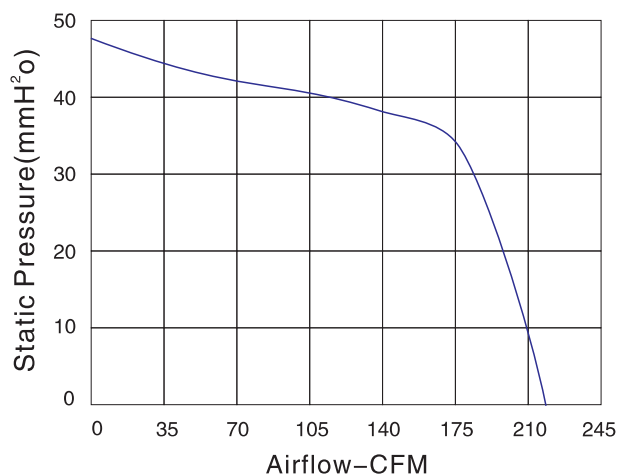
## DC CENTRIFUGAL



Size :  $\varnothing$  133mm×50mm  
 Airflow : 183.6 CFM  
 Noise : 60dB(A)  
 Impeller Material : Metal  
 Operation mode : S1  
 Operating Temperature : -10°C ~ +65°C  
 Type of protection : IP44  
 Insulation class: "B"

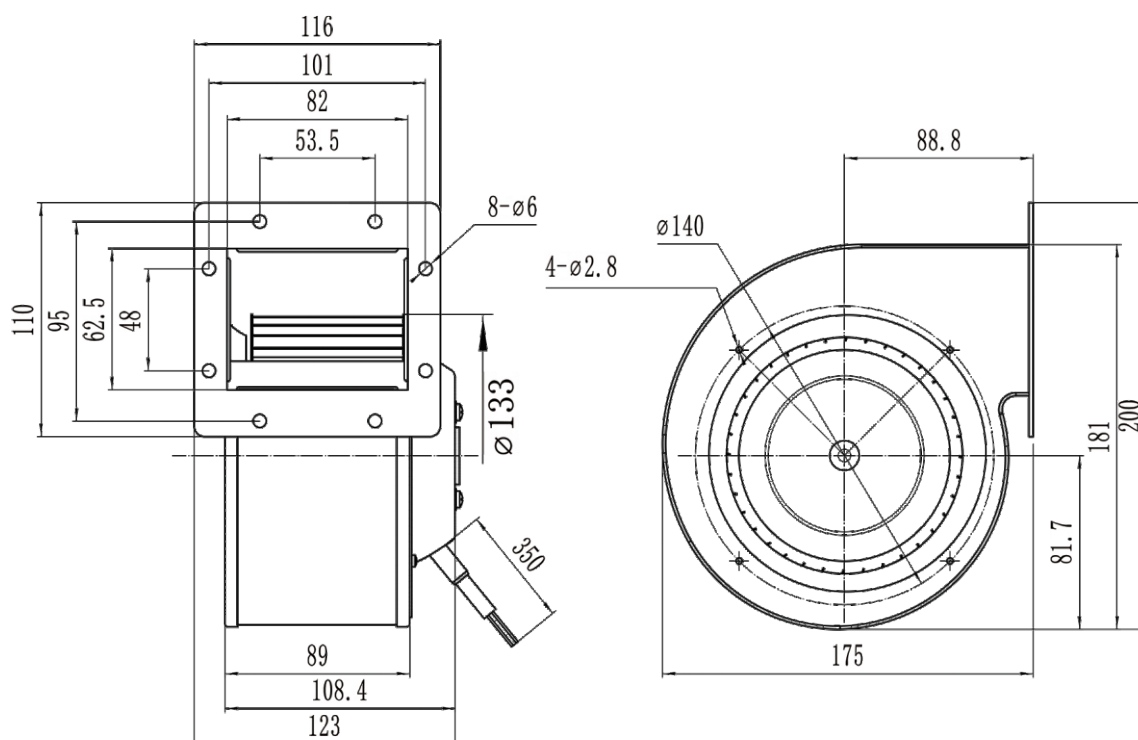
Model	Voltage VDC	Current A	Power W	Speed RPM	Air Flow CFM	Static Pressure mmH <sub>2</sub> O	Noise dB(A)
NDC-13350.24	24	3.6	87	2400	183.6	31.2	60





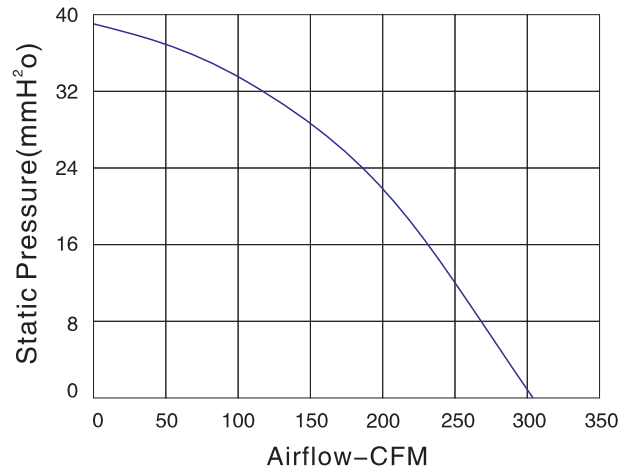
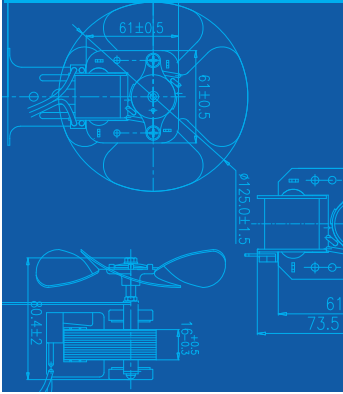
Size :  $\varnothing$  133mm $\times$ 74mm  
 Airflow : 224 CFM  
 Noise : 58.2dB(A)  
 Impeller Material : Metal  
 Operation mode : S1  
 Operating Temperature : -10°C~+65°C  
 Type of protection : IP44  
 Insulation class:"B"

Model	Voltage VDC	Current A	Power W	Speed RPM	Air Flow CFM	Static Pressure mmH <sub>2</sub> O	Noise dB(A)
NDC-13374.24	24	3.4	82	2200	224	48	58.2



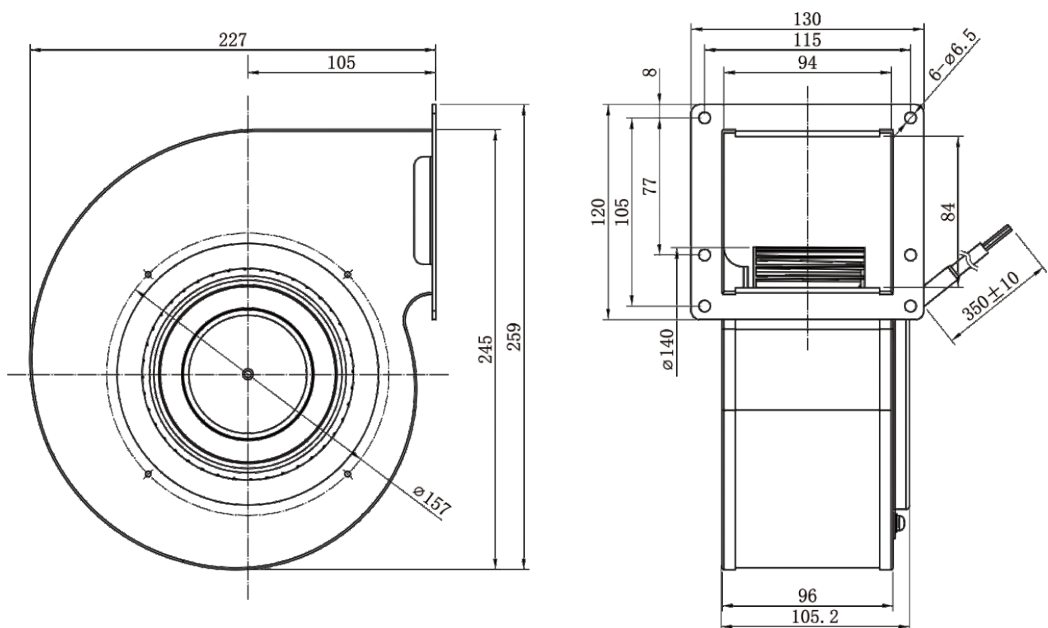
# NDC LINE

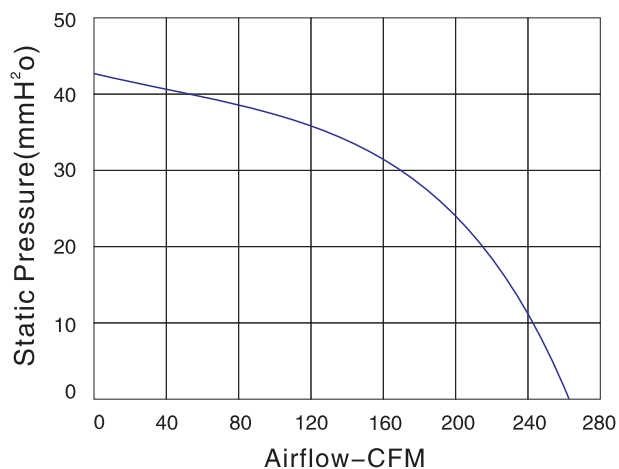
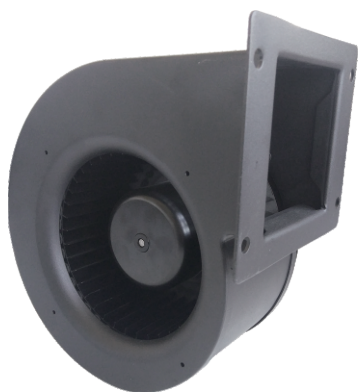
## DC CENTRIFUGAL



Size :  $\varnothing$  140mm $\times$ 62mm  
 Airflow : 306 CFM  
 Noise : 64dB(A)  
 Impeller Material : PA66  
 Operation mode : S1  
 Operating Temperature : -10°C ~ +65°C  
 Type of protection : IP44  
 Insulation class: "B"

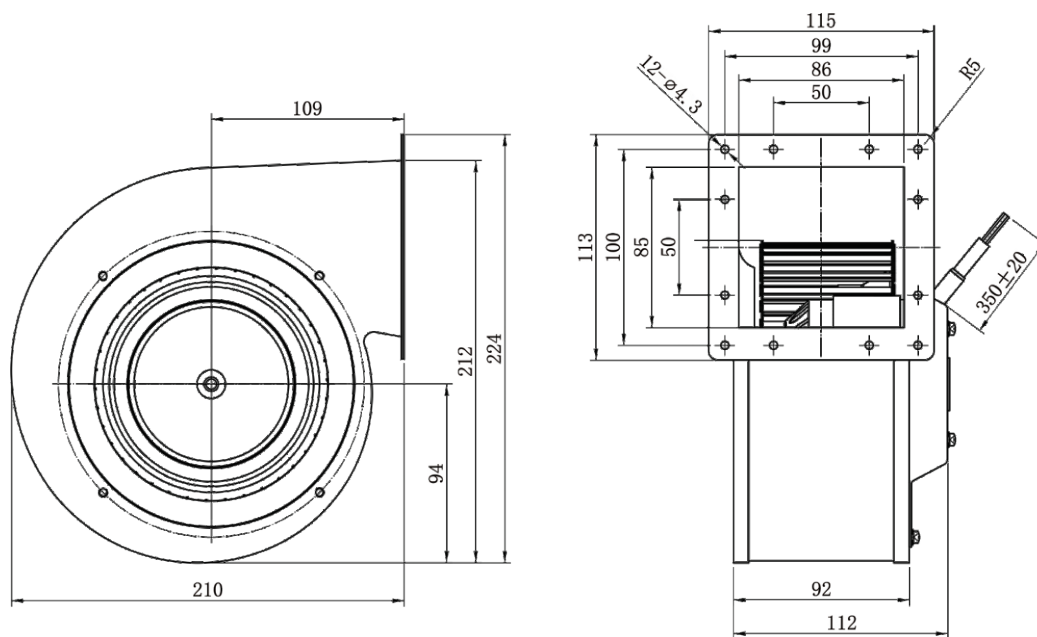
Model	Voltage VDC	Current A	Power W	Speed RPM	Air Flow CFM	Static Pressure mmH <sub>2</sub> O	Noise dB(A)
NDC-14062.24	24	4.2	102	2000	306	39.3	64





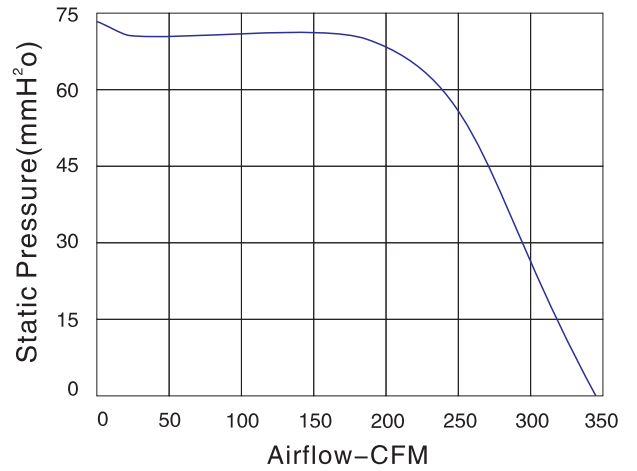
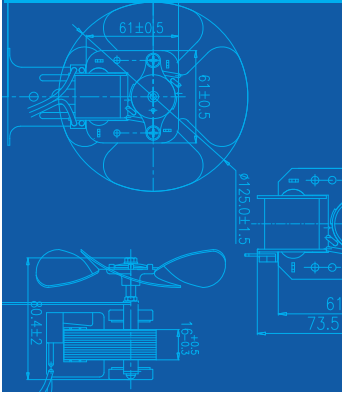
Size : Ø 150mm×72mm  
 Airflow : 262.5 CFM  
 Noise : 67.1dB(A)  
 Impeller Material : Metal  
 Operation mode : S1  
 Operating Temperature : -10°C~+65°C  
 Type of protection : IP44  
 Insulation class:"B"

Model	Voltage VDC	Current A	Power W	Speed RPM	Air Flow CFM	Static Pressure mmH <sub>2</sub> O	Noise dB(A)
NDC-15072.24	24	4.2	100	2100	262.5	43	67.1



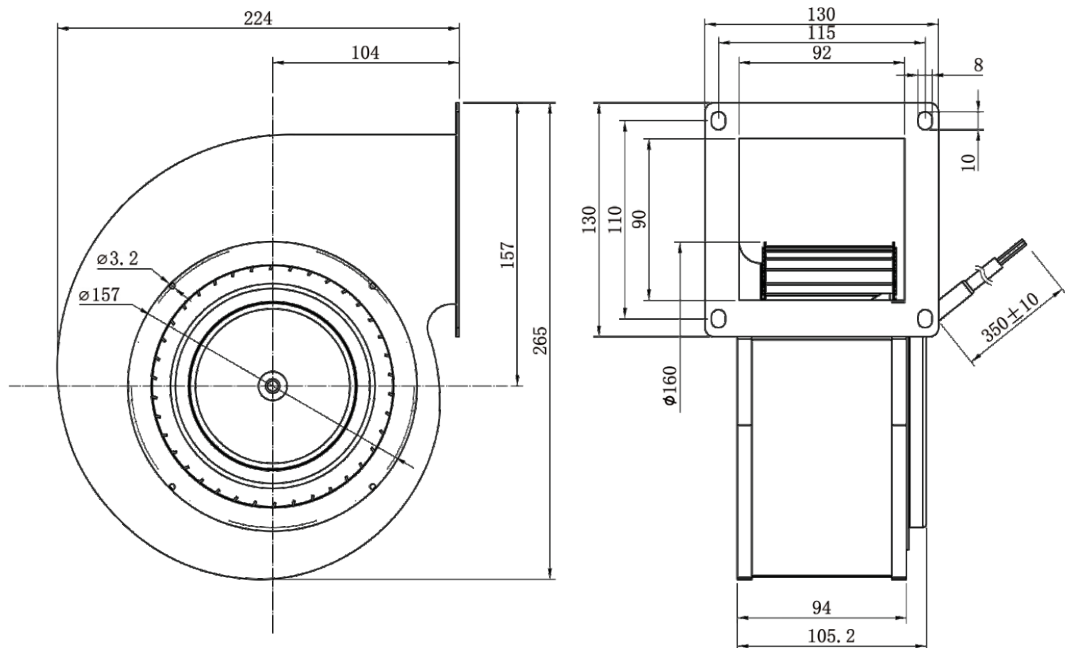
# NDC LINE

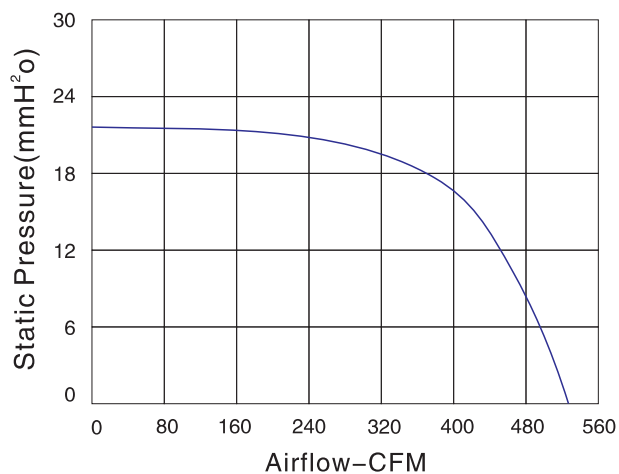
## DC CENTRIFUGAL



Size :  $\varnothing$  160mm $\times$ 72mm  
 Airflow : 348.7 CFM  
 Noise : 63.5dB(A)  
 Impeller Material : Metal  
 Operation mode : S1  
 Operating Temperature : -10°C ~ +65°C  
 Type of protection : IP44  
 Insulation class: "B"

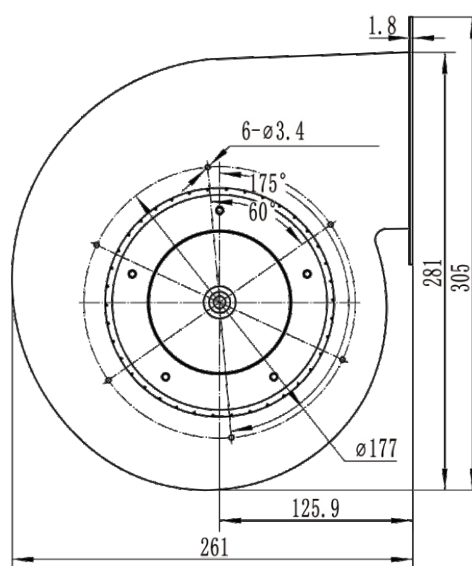
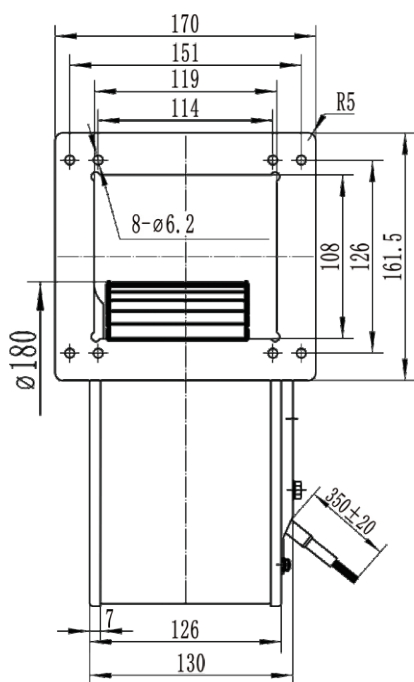
Model	Voltage VDC	Current A	Power W	Speed RPM	Air Flow CFM	Static Pressure mmH <sub>2</sub> O	Noise dB(A)
NDC-16072.24	24	5	120	1950	348.7	59.5	63.5





Size :  $\varnothing$  180mm $\times$ 90mm  
 Airflow : 527.9 CFM  
 Noise : 63.4dB(A)  
 Impeller Material : Metal  
 Operation mode : S1  
 Operating Temperature : -10°C~+65°C  
 Type of protection : IP44  
 Insulation class: "B"

Model	Voltage VDC	Current A	Power W	Speed RPM	Air Flow CFM	Static Pressure mmH <sub>2</sub> O	Noise dB(A)
NDC-18090.24	24	4.6	110	1350	527.9	22.1	63.4













**Representative Office**

Via Emilio Motta 6 | 20144 Milan | Italy  
+39 (02) 49671368

**Factory & Warehouse**

Via Madonna del Bosco snc | 26016 Spino d'Adda | Milan | Italy  
+39 (03) 63701179

**Laboratory Center**

Via Vittorio Veneto 24 | 20062 Cassano d'Adda | Milan | Italy

info@nitec.srl  
www.nitec.srl

