



***Fans and motors
for refrigeration, air-condition and ventilation***

**AXIAL VENTILATION SYSTEM
(EC, AC, WITH WALLRING)**

**Start small, act big,
Think big, achieve bigger.**

**Your trust, Our Mission
Innovate, Differentiate
Think, Act, Save**

Nitec History

Until 2022 NITEC was a company of the Fineldo Holding of which other companies such as Hotpoint–Ariston, Indesit Company and Sholtes were part.

From 1976 to 1991 NITEC as EPC (Engineering Procurement & Construction) built in China with its Italian technology, production plants for the Haier and Midea companies.

In addition to maintaining its role as the only worldwide distributor of spare parts for the group companies, the experience gained has allowed NITEC to continue the role of EPC in the field of renewable energy, constructing large plants in Europe, South Africa and Latin America, on behalf of investors such as Enel Green Power, China Yangtze Power, LG Energy Solution.

In 2009 NITEC developed together with an important Japanese company the technology for the production of electrical green motors also for the HVAC sector, producing for the United States and Canada markets.

In 2023 NITEC landed in Europe to offer its high quality and competitive fan motors.



HIGH Quality High Eficency, The Highest Performance

MISSION

Peak performers see the ability to manage change as a necessity in fulfilling their missions

VISION

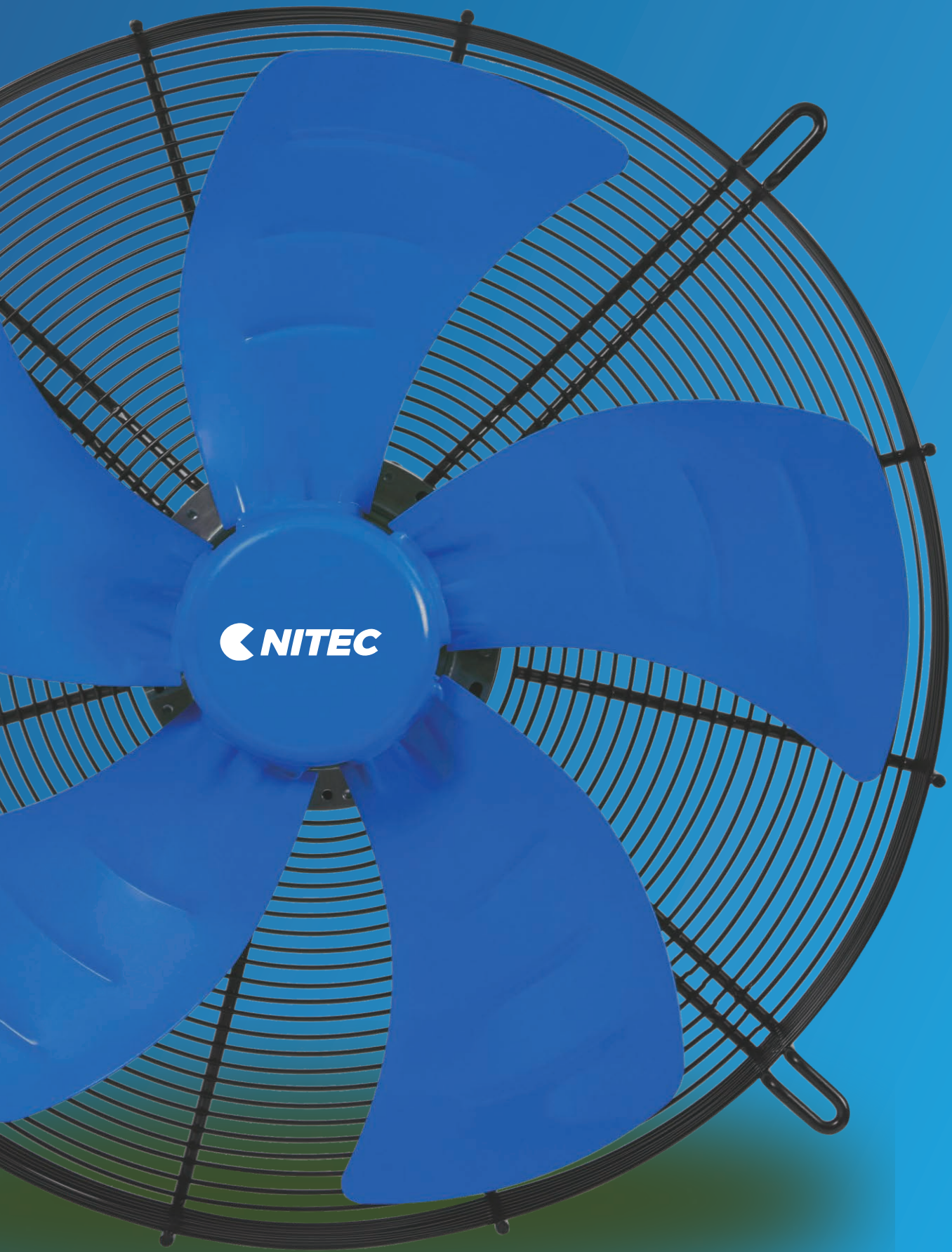
To succeed in your mission, you must have single-minded devotion to your goal

VALUES

- Punctuality
- Eficency
- Support
- Devotion



NECEX LINE EC EXTERNAL ROTOR	7
NX LINE AC EXTERNAL ROTOR	22
NCK LINE AC EXTERNAL ROTOR WITH WALLRING	36



 **NITEC**

NECEX AXIAL



EC Axial Fan diameter is from 300mm to 500mm, features of quiet, high efficiency, flexible controlling, conform to ERP 2015.

Wide Working Voltage AC 115/230V 50/60Hz.

Plastic/Metal Impeller (250/300/350/450/500mm).

Electronic and mechanical protection: Over voltage, overcurrent, thermal protection, lock protection.

CE Approval.

All the components compliance to requirements of the RoHS.

Automatic Production Lines.

Work temperature $-30^{\circ}\text{C}\sim+50^{\circ}\text{C}$.



NECEX LINE

EC EXTERNAL ROTOR



NECEX Axial Fan Size 250mm



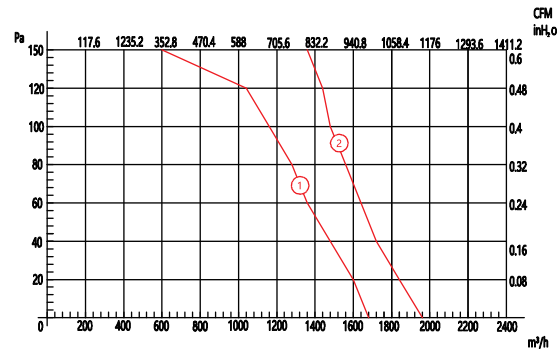
Description

Motor technology	EC
Fan Blade	Steel
Rotor	Steel
Type of protection	IP54
Insulation class	F
Mounting position	Any
Temperature	-30°C ~ +50°C
Technical feature	0-10V/PWM/RS-485
Tach output	
Protection	Over voltage/Lock Rotor

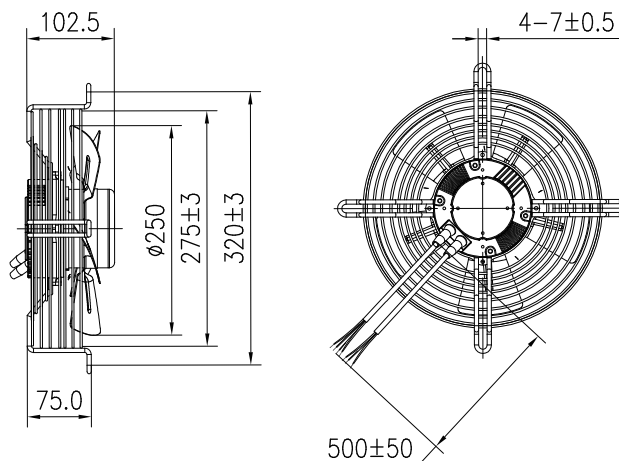
Motor Parameters

MODEL	VOLTAGE V	INPUT POWER W	FREQUENCY Hz	SPEED RPM	MAX CURRENT A	AIRFLOW M ³ /H	CURVE
NECEX-250	230	110	50/60	2300	0.83	1700	①
NECEX-250H	230	160	50/60	2800	1.2	1950	②

Airflow



Dimensions



NECEX Axial Fan Size 300mm



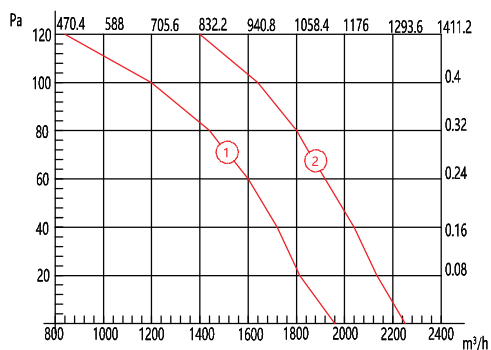
Description

Motor technology	EC
Fan Blade	PA66 Plastic/Steel
Rotor	Steel
Type of protection	IP54
Insulation class	F
Mounting position	Any
Temperature	-30°C ~ +50°C
Technical feature	0-10V/PWM/RS-485
Tach output	
Protection	Over voltage/Lock Rotor

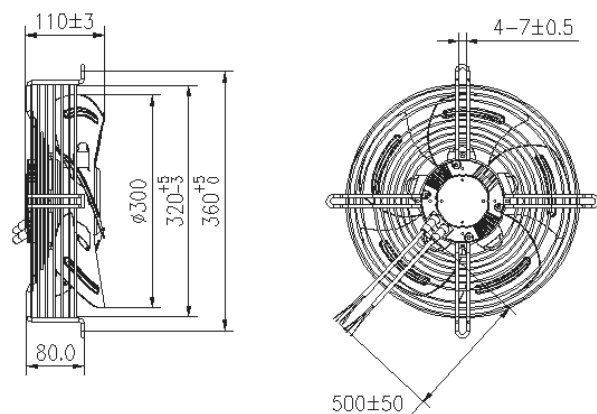
Motor Parameters

MODEL	VOLTAGE V	INPUT POWER W	FREQUENCY Hz	SPEED RPM	MAX CURRENT A	AIRFLOW M ³ /H	CURVE
NECEX-300	230	100	50/60	1790	0.82	1955	①
NECEX-300H	230	160	50/60	2050	1.26	2250	②

Airflow



Dimensions



NECEX LINE

EC EXTERNAL ROTOR



NECEX Axial Fan Size 350mm



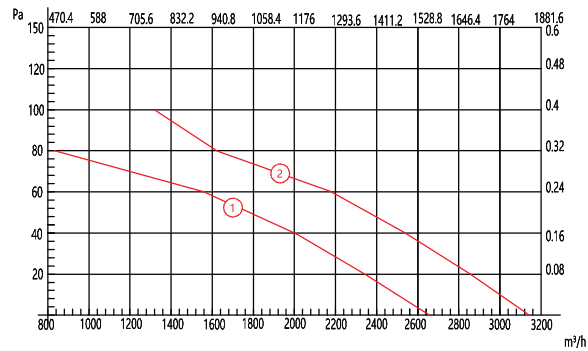
Description

Motor technology	EC
Fan Blade	PA66 Plastic
Rotor	Steel
Type of protection	IP54
Insulation class	F
Mounting position	Any
Temperature	-30°C ~ +50°C
Technical feature	0-10V/PWM/RS-485
Tach output	
Protection	Over voltage/Lock Rotor

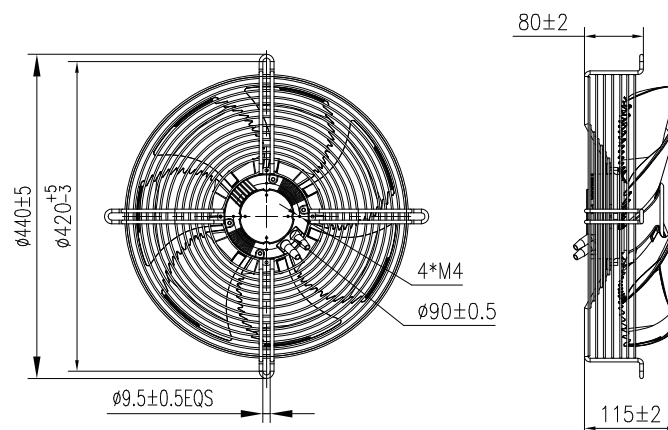
Motor Parameters

MODEL	VOLTAGE V	INPUT POWER W	FREQUENCY Hz	SPEED RPM	MAX CURRENT A	AIRFLOW M ³ /H	CURVE
NECEX-350	230	90	50/60	1325	0.85	2650	①
NECEX-350H	230	160	50/60	1590	1.25	3140	②

Airflow



Dimensions



NECEX Axial Fan Size 400mm



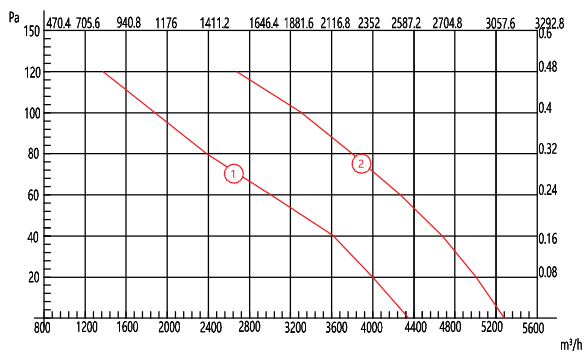
Description

Motor technology	EC
Fan Blade	PA66 Plastic/Steel
Rotor	Steel
Type of protection	IP54
Insulation class	F
Mounting position	Any
Temperature	-30°C ~ +50°C
Technical feature	0-10V/PWM/RS-485
Tach output	
Protection	Over voltage/Lock Rotor

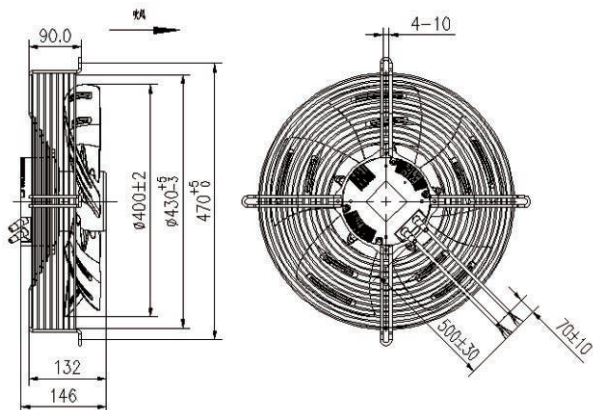
Motor Parameters

MODEL	VOLTAGE V	INPUT POWER W	FREQUENCY Hz	SPEED RPM	MAX CURRENT A	AIRFLOW M ³ /H	CURVE
NECEX-400	230	200	50/60	1510	0.91	4360	①
NECEX-400H	230	350	50/60	1800	1.55	5260	②

Airflow

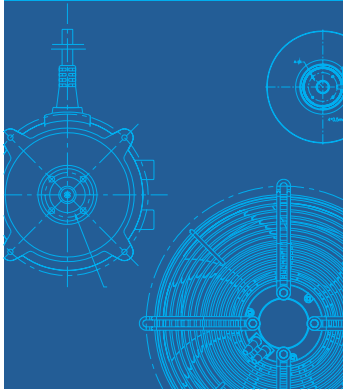


Dimensions



NECEX LINE

EC EXTERNAL ROTOR



NECEX Axial Fan Size 450mm



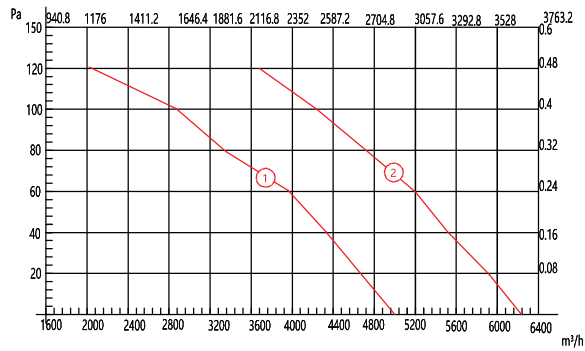
Description

Motor technology	EC
Fan Blade	PA66 Plastic
Rotor	Steel
Type of protection	IP54
Insulation class	F
Mounting position	Any
Temperature	-30°C~+50°C
Technical feature	0-10V/PWM/RS-485
Tach output	
Protection	Over voltage/Lock Rotor

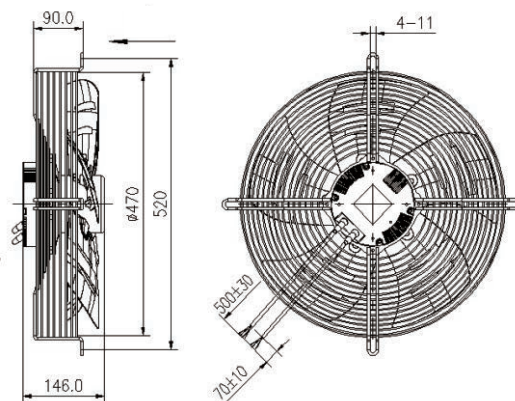
Motor Parameters

MODEL	VOLTAGE V	INPUT POWER W	FREQUENCY HZ	SPEED RPM	MAX CURRENT A	AIRFLOW M ³ /H	CURVE
NECEX-450	230	250	50/60	1375	1.12	5000	①
NECEX-450H	230	400	50/60	1510	1.76	6300	②

Airflow



Dimensions



NECEX Axial Fan Size 500mm



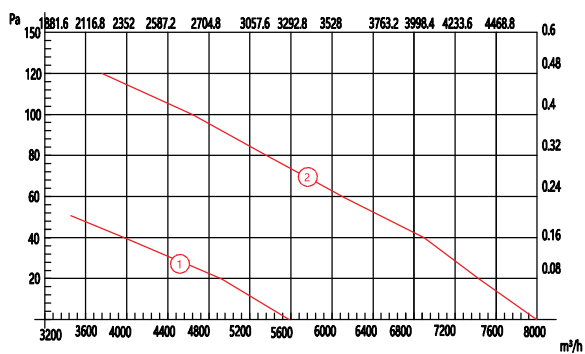
Description

Motor technology	EC
Fan Blade	PA66 Plastic
Rotor	Steel
Type of protection	IP54
Insulation class	F
Mounting position	Any
Temperature	-30°C~+50°C
Technical feature	0-10V/PWM/RS-485
Tach output	
Protection	Over voltage/Lock Rotor

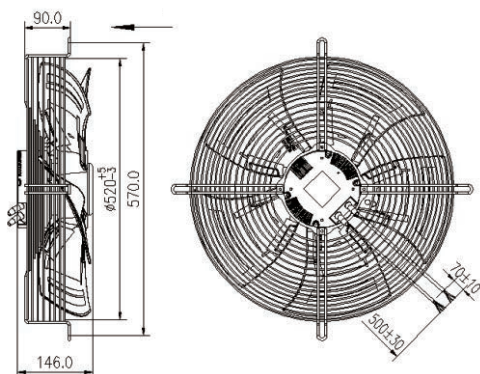
Motor Parameters

MODEL	VOLTAGE V	INPUT POWER W	FREQUENCY Hz	SPEED RPM	MAX CURRENT A	AIRFLOW M3/H	CURVE
NECEX-500	230	180	50/60	990	0.8	5580	①
NECEX-500H	230	500	50/60	1395	2.13	7890	②

Airflow



Dimensions



NECEX LINE

EC EXTERNAL ROTOR



NECEX Axial Fan Size 550mm



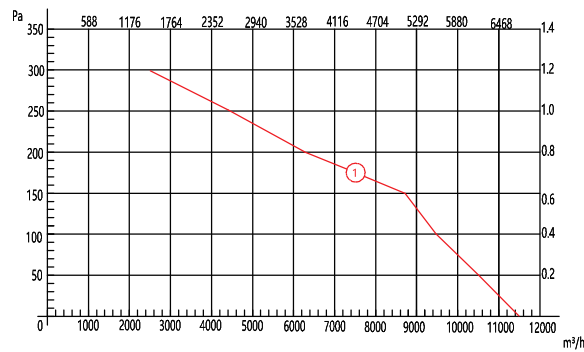
Description

Motor technology	EC
Fan Blade	Steel
Rotor	Steel
Type of protection	IP54
Insulation class	F
Mounting position	Any
Temperature	-30°C~+50°C
Technical feature	0-10V/PWM/RS-485
Tach output	
Protection	Over voltage/Lock Rotor

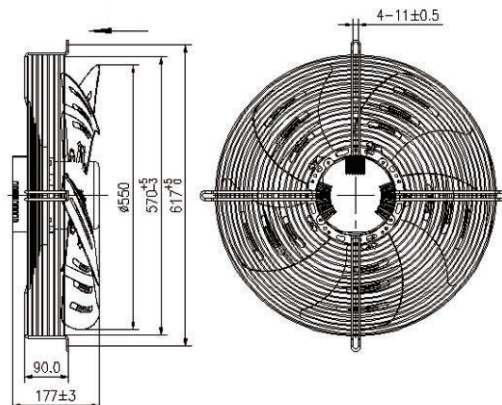
Motor Parameters

MODEL	VOLTAGE V	INPUT POWER W	FREQUENCY Hz	SPEED RPM	MAX CURRENT A	AIRFLOW M3/H	CURVE
NECEX-550PH	380	980	50/60	1760	1.73	11500	①

Airflow



Dimensions



NECEX Axial Fan Size 600mm



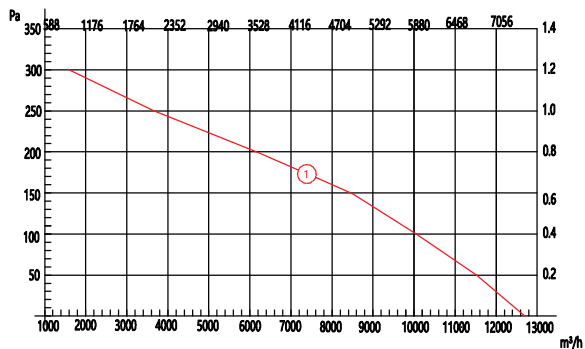
Description

Motor technology	EC
Fan Blade	Steel
Rotor	Steel
Type of protection	IP54
Insulation class	F
Mounting position	Any
Temperature	-30°C~+50°C
Technical feature	0-10V/PWM/RS-485
Tach output	
Protection	Over voltage/Lock Rotor

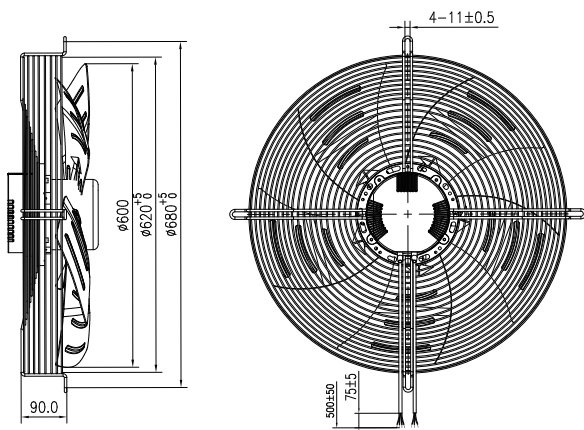
Motor Parameters

MODEL	VOLTAGE V	INPUT POWER W	FREQUENCY Hz	SPEED RPM	MAX CURRENT A	AIRFLOW M3/H	CURVE
NECEX-600PH	380	990	50/60	1640	1.74	12700	①

Airflow

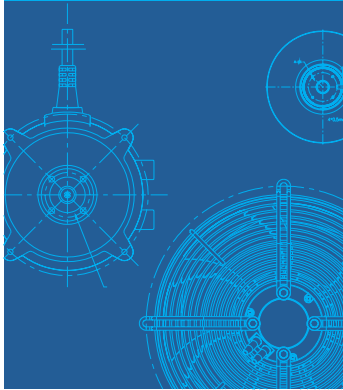


Dimensions



NECEX LINE

EC EXTERNAL ROTOR



NECEX Axial Fan Size 630mm



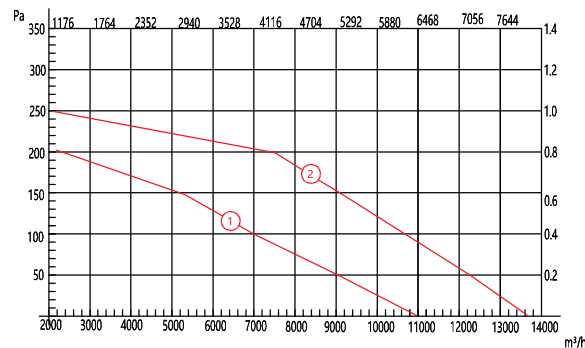
Description

Motor technology	EC
Fan Blade	Steel
Rotor	Steel
Type of protection	IP54
Insulation class	F
Mounting position	Any
Temperature	-30°C ~ +50°C
Technical feature	0-10V/PWM/RS-485
Tach output	
Protection	Over voltage/Lock Rotor

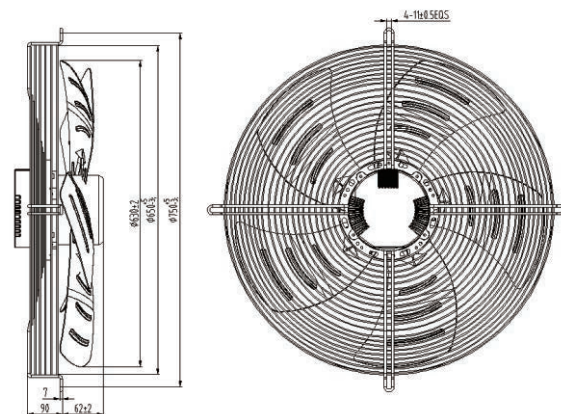
Motor Parameters

MODEL	VOLTAGE V	INPUT POWER W	FREQUENCY Hz	SPEED RPM	MAX CURRENT A	AIRFLOW M3/H	CURVE
NECEX-630	230	500	50/60	1284	2.23	10900	①
NECEX-630PH	380	970	50/60	1640	1.75	13700	②

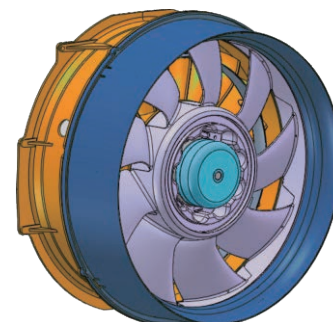
Airflow



Dimensions



NECEX-102



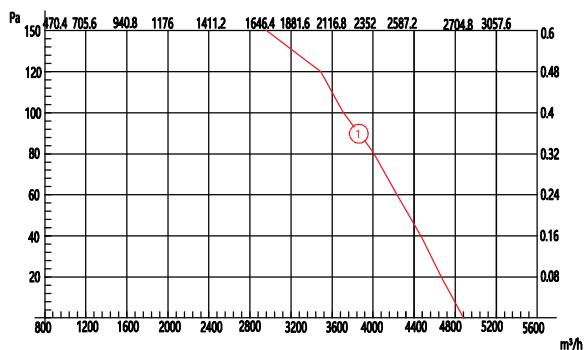
Description

Motor technology	
Impeller	PA66 Plastic
Rotor	Steel
Type of protection	IP44
Insulation class	F
Mounting position	Any

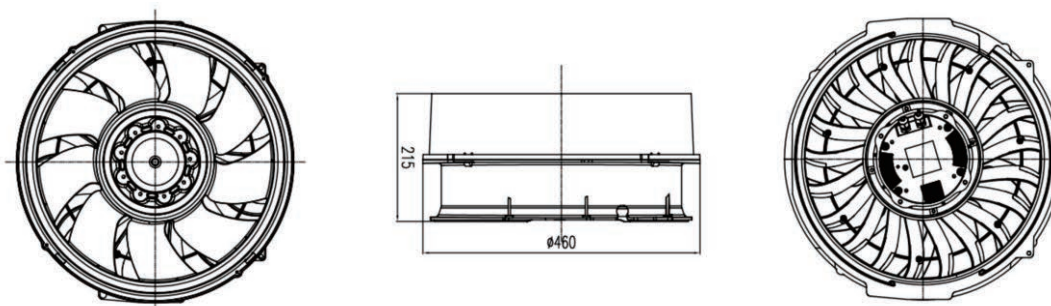
Motor Parameters

MODEL	VOLTAGE V	INPUT POWER W	FREQUENCY Hz	SPEED RPM	MAX CURRENT A	AIRFLOW M3/H	CURVE
NECEX-102	230	500	50/60	1800	2.1	4860	①

Airflow



Dimensions



NECEX DC LINE

EC EXTERNAL ROTOR



NECEX-DC Axial Flow Fan



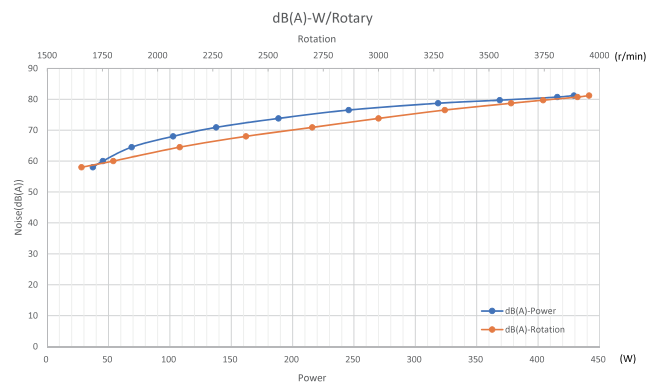
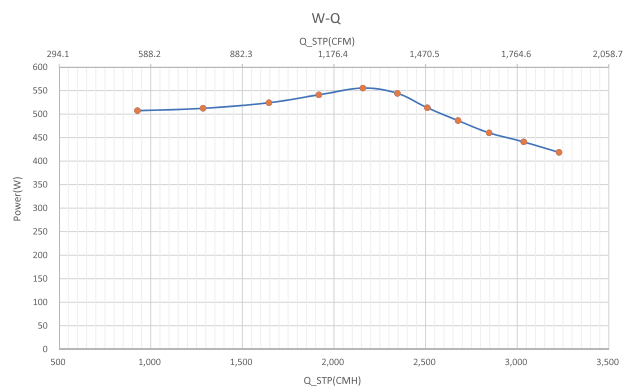
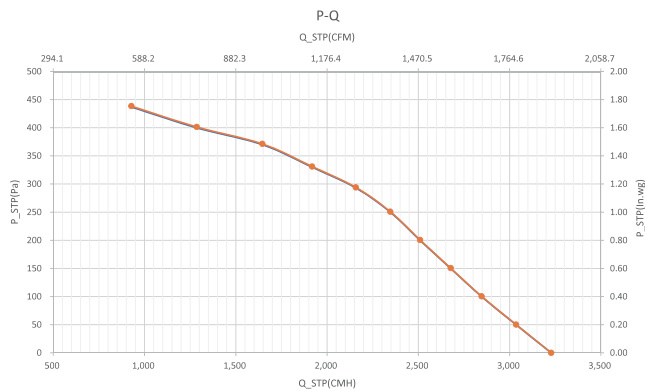
Description

Motor technology	DC
Impeller	PA66
Rotor	Silicon Steel Sheet
Type of protection	IP67
Insulation class	F
Mounting Position	The axis is horizontal and the axis is vertical

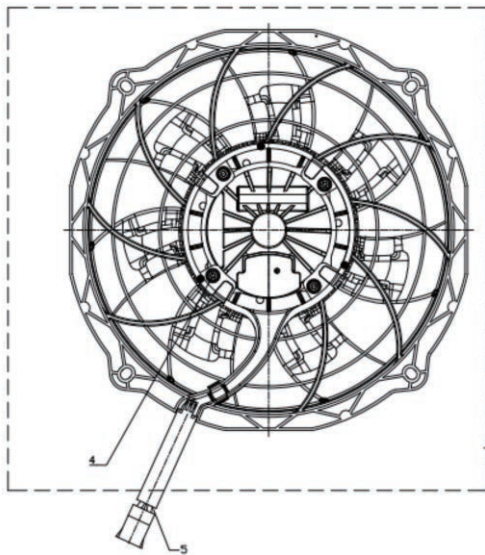
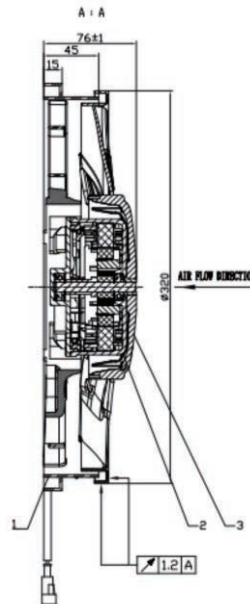
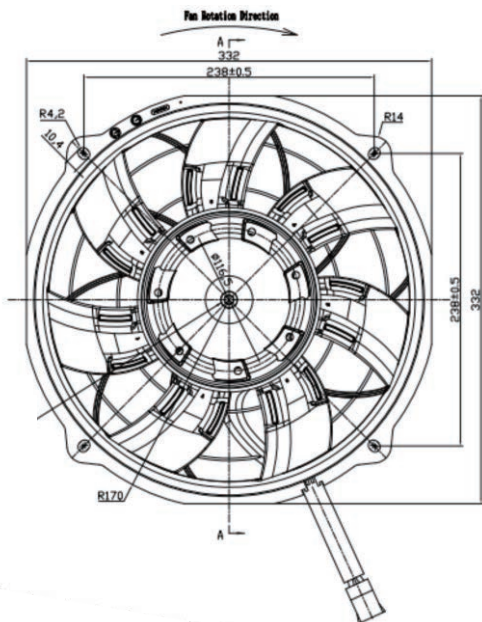
Motor Parameters

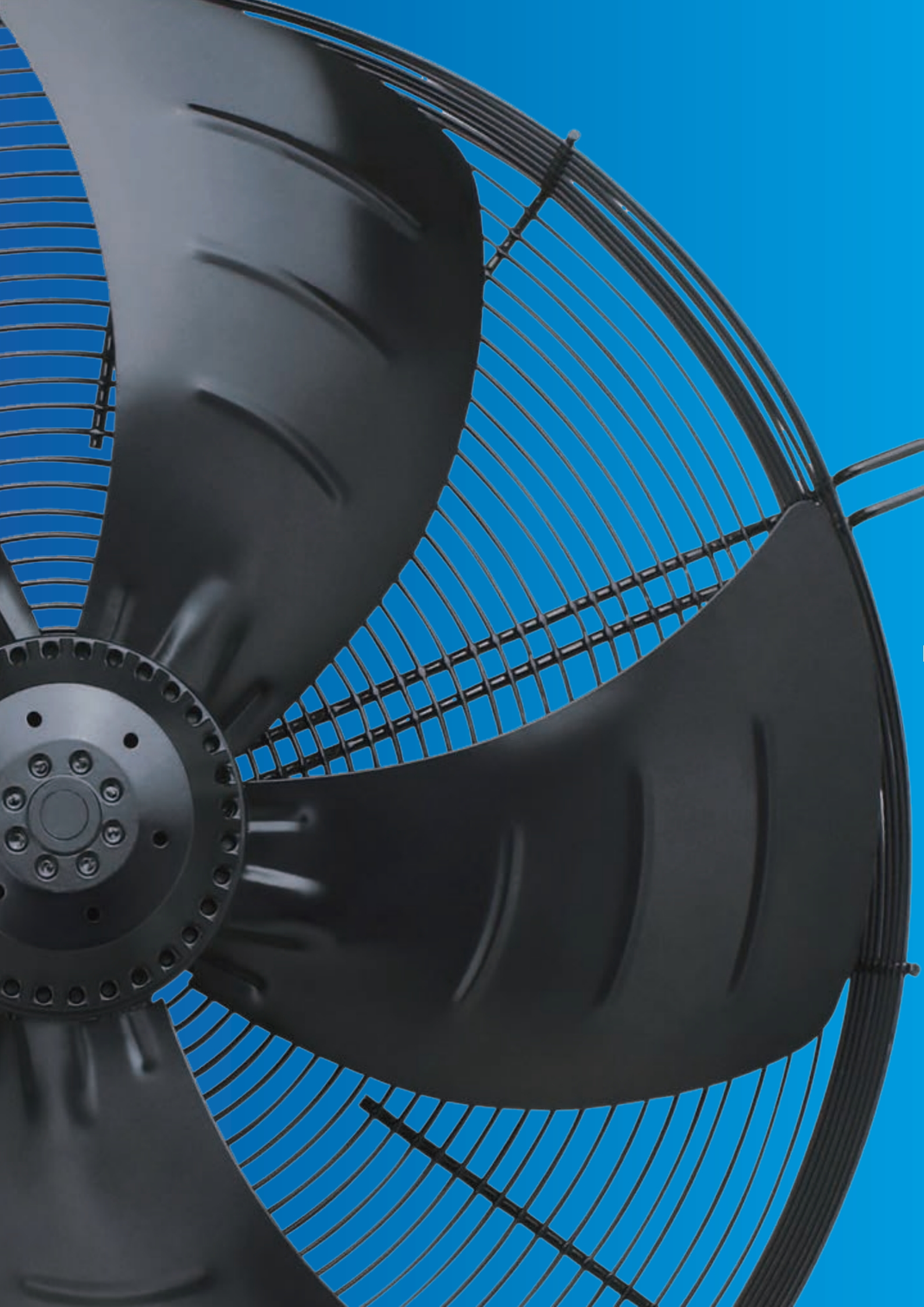
MODEL	VOLTAGE V	NOMINAL VOLTAGE RANGE	CURRENT DRAW A ±10%	INPUT POWER W ±10%	SPEED RPM	AIR FLOW CFM M3/H ±10%	NOISE LEVEL LP DB(A)
NECEX-320DC	26	16-32VDC	16.1	418	3960	3200	<82

Air flow pressure (P - Q)



Dimensions





AXIAL FAN WITH EXTERNAL ROTOR MOTOR



NX series axial fan with high static pressure and large air flow, have single phase, three phase, and different voltage levels, and 50HZ, 60HZ, according to the client's different needs.

Operating with 200mm to 900mm diameter fan blades.

Available with different supporting structures, can meet different needs of various equipments that need high static pressure & high air flow.

Compared with normal axial fan, this series fan is equipped with higher angle of fan blade, more quantities of fan blade, and motor with higher power.

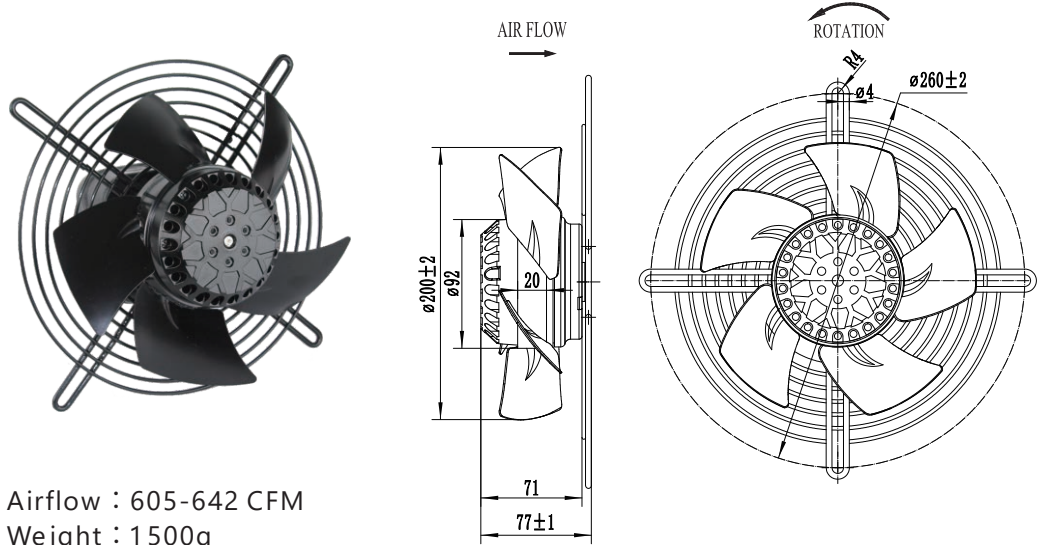
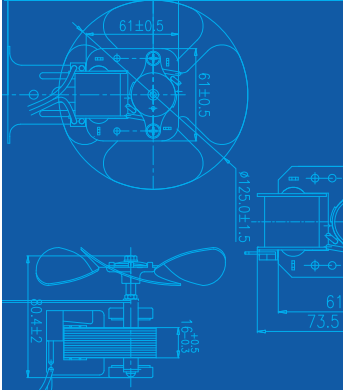
The insulation class of motor is F or H, special manufacturing process and design, to meet clients' use in high temperature (ambient temperature 85 °C) and high humidity (humidity >90%).

This series of products can be used in environment where the ambient temperature is -25 °C -85 °C or -40°C -85°C. Applicable to altitudes from 1000 meters to 4,500 meters.

Most products has obtained CE, ROHS and UL certification.

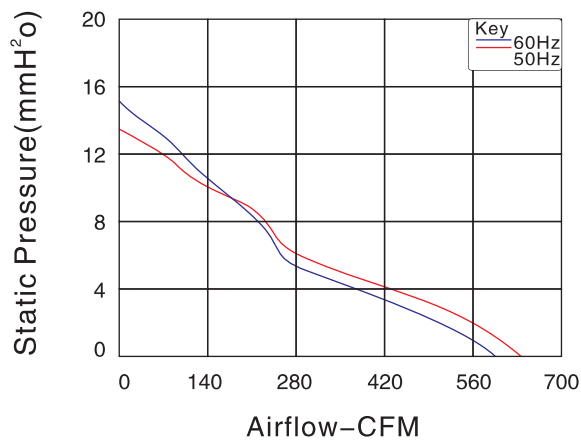
NX LINE

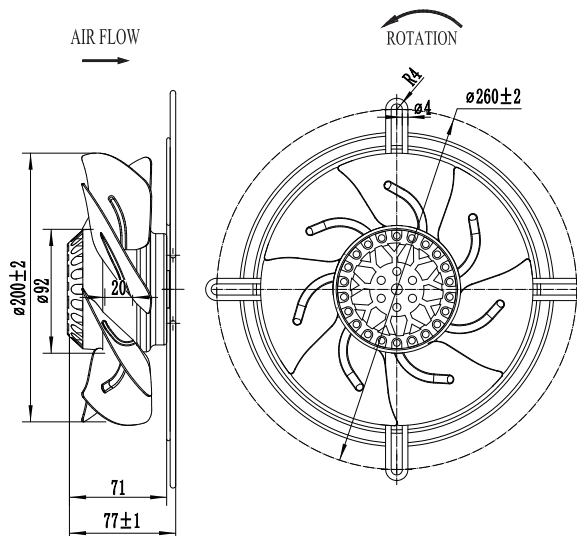
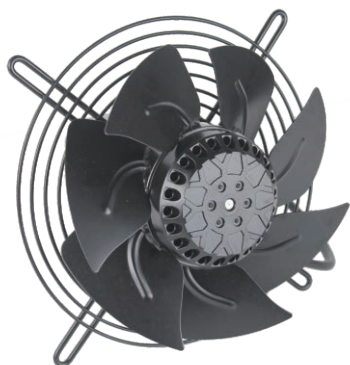
AC EXTERNAL ROTOR



Airflow : 605-642 CFM
 Weight : 1500g
 Noise : 65-68dB(A)
 Impeller Material : Metal
 Frame : Metal guard
 Terminals : 0.5mm
 Lead Wire : Teflon 22#UL 1332(Optional)
 Motor : Capacitor-Run And External Rotor Induction Motor
 Operating Temperature : -10°C~+65°C

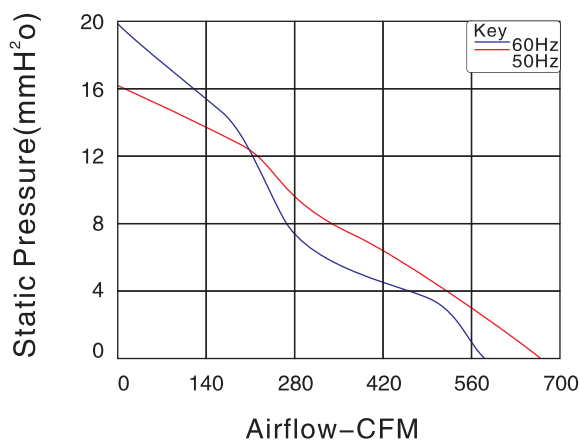
Model	Bearing System	Voltage VAC	Freq. Hz	Current A	Power W	Speed RPM	Noise dB(A)	Air Flow CFM	Phase	Capacitor μ F/VAC
NX-200U	Ball	100/125	50/60	0.68/0.65	67/77	2550/2850	65/68	605/642	1	4/250
NX-200	Ball	200/240	50/60	0.35/0.28	60/80	2550/2850	65/68	605/642	1	2.2/500
NX-200PH	Ball	380/420	50/60	0.45/0.4	62/70	2550/2850	65/68	605/642	3	—

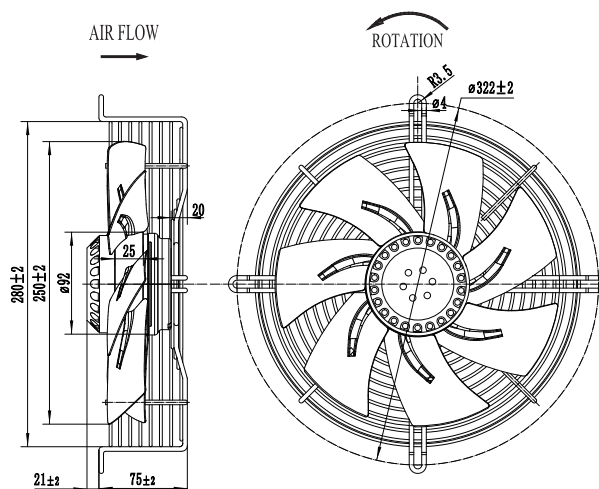
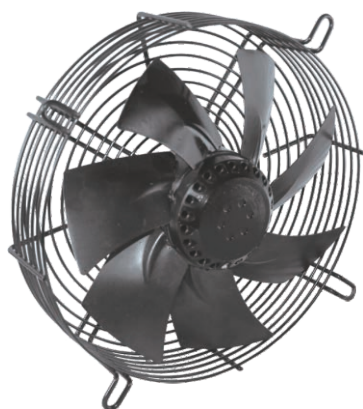




Airflow : 597-661 CFM
 Weight : 1600g
 Noise : 59-61dB(A)
 Impeller Material : Metal
 Frame : Metal guard
 Terminals : 0.5mm
 Lead Wire : Teflon 22#UL 1332(Optional)
 Motor : Capacitor-Run And External Rotor Induction Motor
 Operating Temperature : -10°C~ +65°C

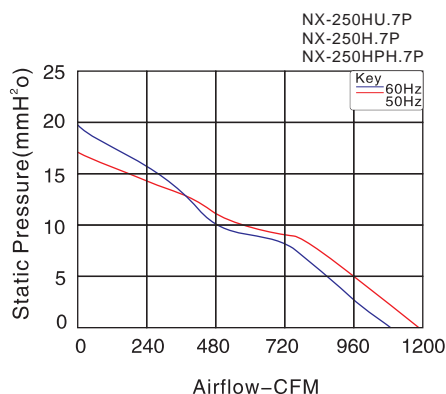
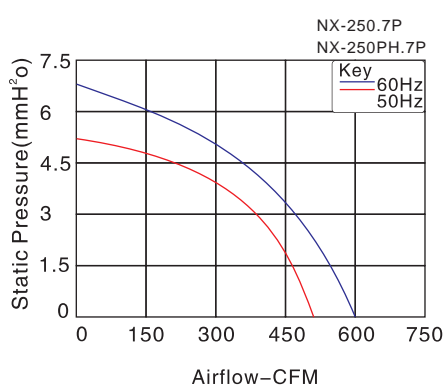
Model	Bearing System	Voltage VAC	Freq. Hz	Current A	Power W	Speed RPM	Noise dB(A)	Air Flow CFM	Phase	Capacitor μ F/VAC
NX-200U.7P	Ball	100/125	50/60	0.68/0.65	60/72	2700/3100	59/61	597/661	1	4/250
NX-200.7P	Ball	200/240	50/60	0.25/0.33	54/71	2700/3100	59/61	597/661	1	2.2/500
NX-200PH.7P	Ball	380/420	50/60	0.25	50	2700/3100	59/61	597/661	3	—





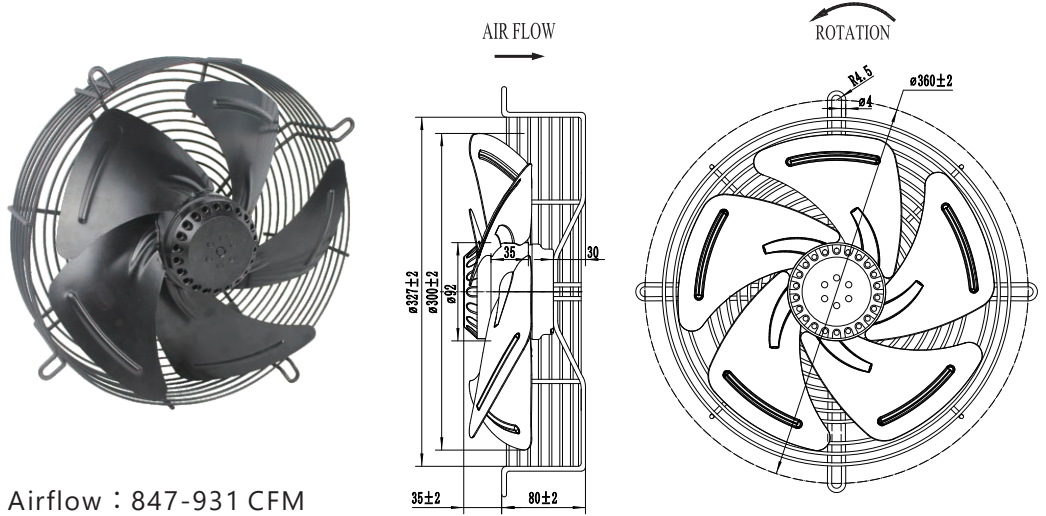
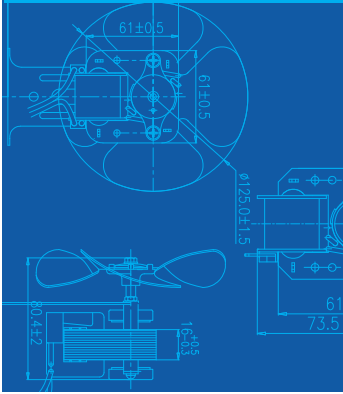
Airflow : 530-1160 CFM
 Weight : 3000g
 Noise : 60-70dB(A)
 Impeller Material : Metal
 Frame : Metal guard
 Terminals : 0.5mm
 Lead Wire : Teflon 22#UL 1332(Optional)
 Motor : Capacitor-Run And External Rotor Induction Motor
 Operating Temperature : -10°C~+65°C

Model	Bearing System	Voltage VAC	Freq. Hz	Current A	Power W	Speed RPM	Noise dB(A)	Air Flow CFM	Phase	Capacitor μ F/VAC
NX-250.7P	Ball	220/240	50/60	0.3	50	1300/1500	60/65	530/600	1	4/500
NX-250PH.7P	Ball	380/420	50/60	0.2	50	1300/1500	60/65	530/600	3	—
NX-250HU.7P	Ball	100/125	50/60	1.2/1.3	126/148	2500/2800	69/70	1098/1160	1	2.8/250
NX-250H.7P	Ball	200/240	50/60	0.58/0.63	126/148	2500/2800	69/70	1098/1160	1	4/500
NX-250HPH.7P	Ball	380/420	50/60	0.75/0.9	120/136	2500/2800	69/70	1098/1160	3	—



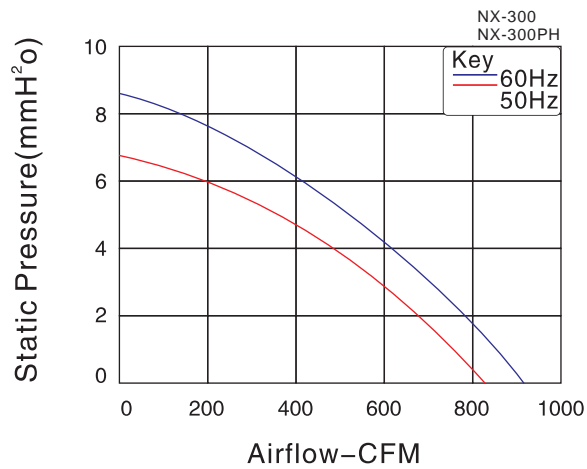
NX LINE

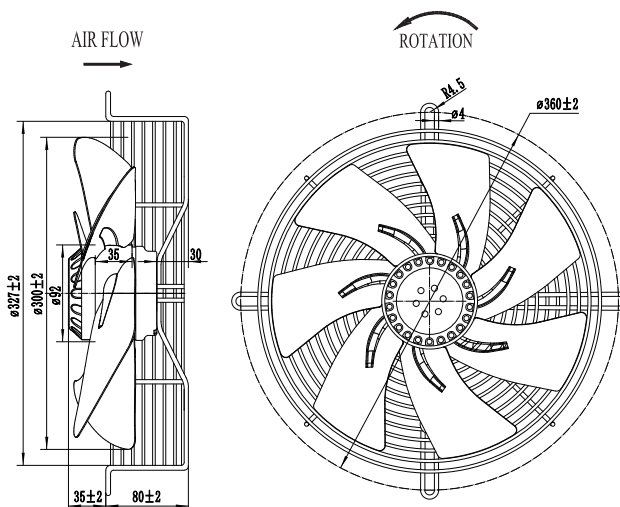
AC EXTERNAL ROTOR



- Airflow : 847-931 CFM
- Weight : 3100g
- Noise : 65-68dB(A)
- Impeller Material : Metal
- Frame : Metal guard
- Terminals : 0.5mm
- Lead Wire : Teflon 18#UL 1332(Optional)
- Motor : Capacitor-Run And External Rotor Induction Motor
- Operating Temperature : -10°C~+65°C

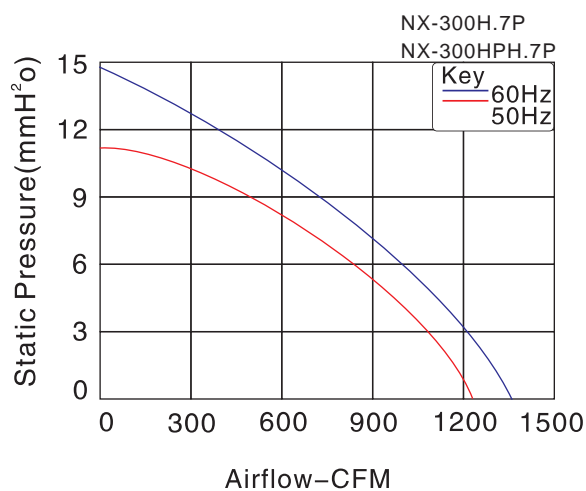
Model	Bearing System	Voltage VAC	Freq. Hz	Current A	Power W	Speed RPM	Noise dB(A)	Air Flow CFM	Phase	Capacitor μ F/VAC
NX-300	Ball	200/240	50/60	0.4	80	1300/1500	65/68	847/931	1	4/500
NX-300PH	Ball	380/420	50/60	0.22	80	1300/1500	65/68	847/931	3	—





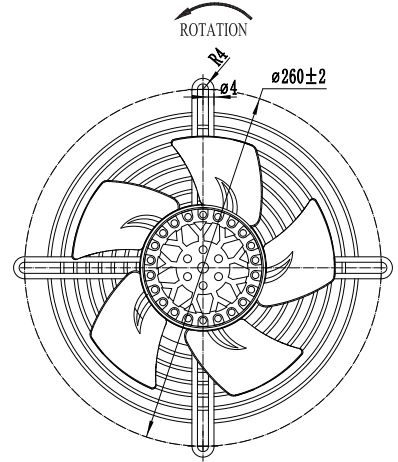
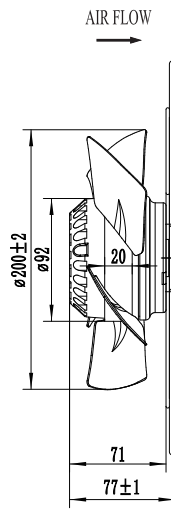
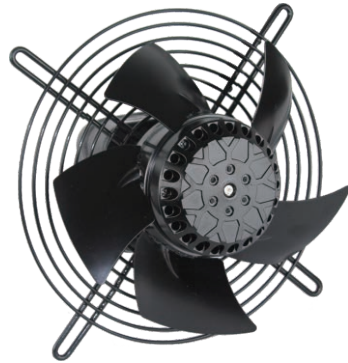
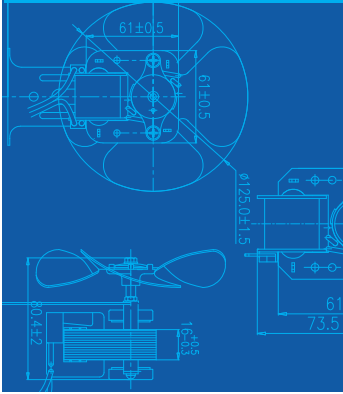
Airflow: 920-1350 CFM
 Weight: 3150g
 Noise: 68-78dB(A)
 Impeller Material: Metal
 Frame: Metal guard
 Terminals: 0.5mm
 Lead Wire: Teflon22#UL 1332(Optional)
 Motor: Capacitor-Run And External Rotor Induction Motor
 Operating Temperature: -10°C~+65°C

Model	Bearing System	Voltage VAC	Freq. Hz	Current A	Power W	Speed RPM	Noise dB(A)	Air Flow CFM	Phase	Capacitor μ F/VAC
NX-300H.7P	Ball	220/240	50/60	0.5	150	2200/2500	73/78	1240/1350	1	4/500
NX-300HPH.7P	Ball	380/420	50/60	0.5	150	2200/2500	73/78	1240/1350	3	—



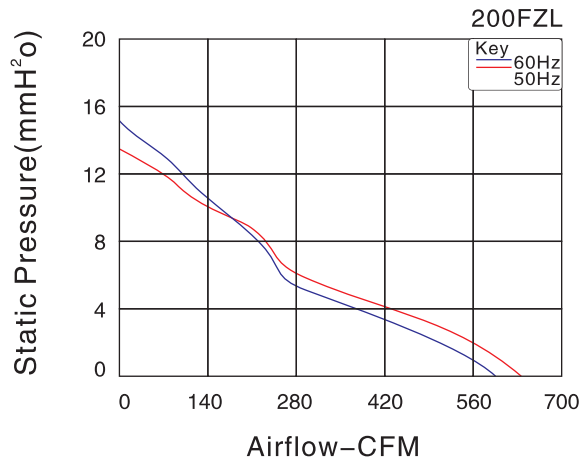
NX LINE

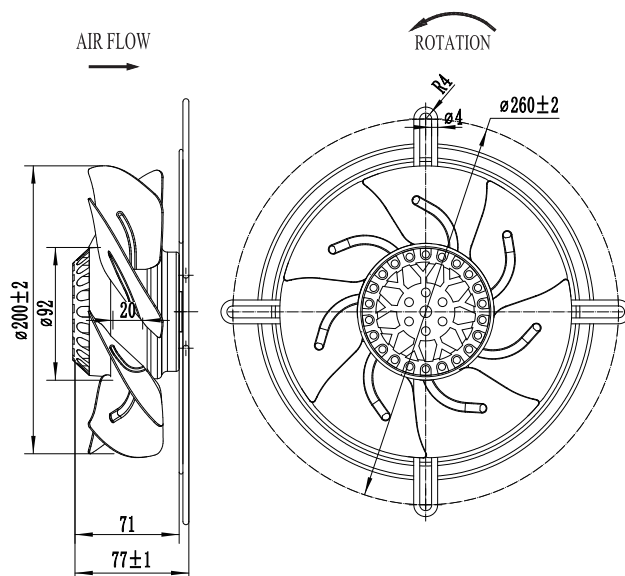
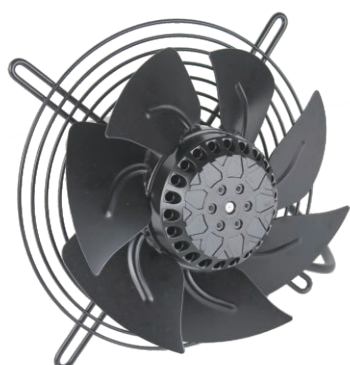
AC EXTERNAL ROTOR



Airflow : 605-642 CFM
 Weight : 1500g
 Noise : 65-68dB(A)
 Impeller Material : Metal
 Frame : Metal guard
 Terminals : 0.5mm
 Lead Wire : Teflon22#UL 1332(Optional)
 Motor : Capacitor-Run And External Rotor Induction Motor
 Operating Temperature : -10°C ~ +65°C

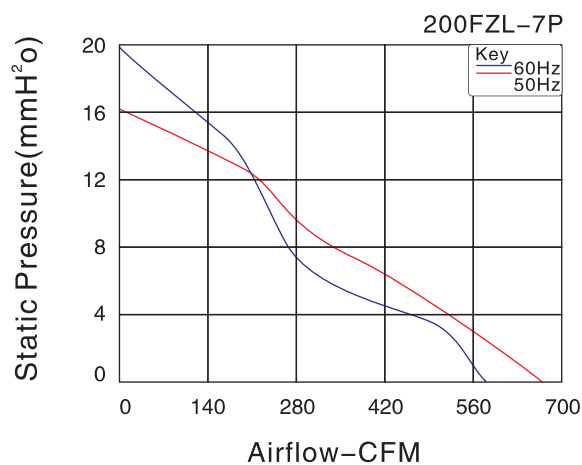
Model	Bearing System	Voltage VAC	Freq. Hz	Current A	Power W	Speed RPM	Noise dB(A)	Air Flow CFM	Phase	Capacitor μ F/VAC
NX-200U	Ball	100/125	50/60	0.68/0.65	67/77	2550/2850	65/68	605/642	1	4/250
NX-200PH	Ball	200/240	50/60	0.35/0.28	60/80	2550/2850	65/68	605/642	1	2.2/500
NX-200	Ball	380/420	50/60	0.45/0.4	62/70	2550/2850	65/68	605/642	3	—





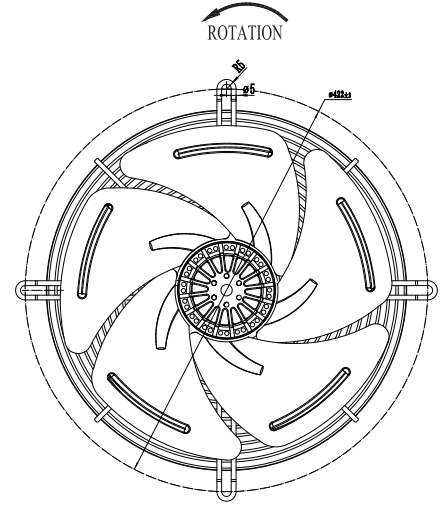
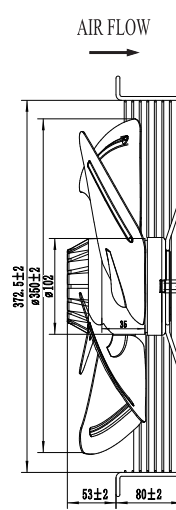
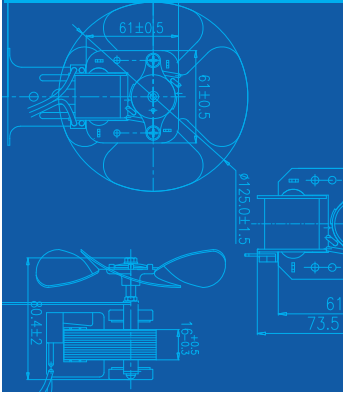
Airflow : 597-661 CFM
 Weight : 1600g
 Noise : 59-61dB(A)
 Impeller Material : Metal
 Frame : Metal guard
 Terminals : 0.5mm
 Lead Wire : Teflon22#UL 1332(Optional)
 Motor : Capacitor-Run And External Rotor Induction Motor
 Operating Temperature : $-10^{\circ}\text{C} \sim +65^{\circ}\text{C}$

Model	Bearing System	Voltage VAC	Freq. Hz	Current A	Power W	Speed RPM	Noise dB(A)	Air Flow CFM	Phase	Capacitor $\mu\text{F/VAC}$
NX-200U.7P	Ball	100/125	50/60	0.68/0.65	60/72	2700/3100	59/61	597/661	1	4/250
NX-200.7P	Ball	200/240	50/60	0.25/0.33	54/71	2700/3100	59/61	597/661	1	2.2/500
NX-200PH.7P	Ball	380/420	50/60	0.25	50	2700/3100	59/61	597/661	3	—



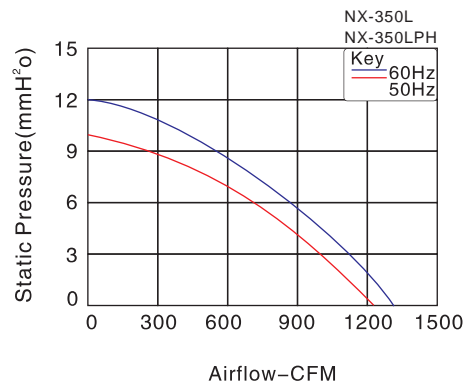
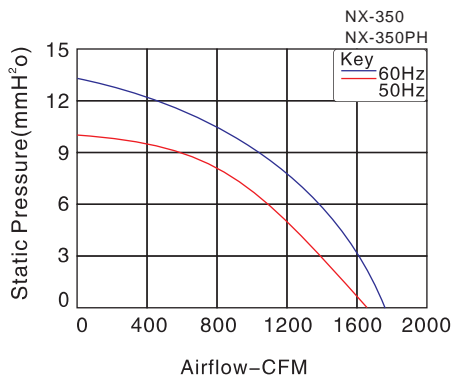
NX LINE

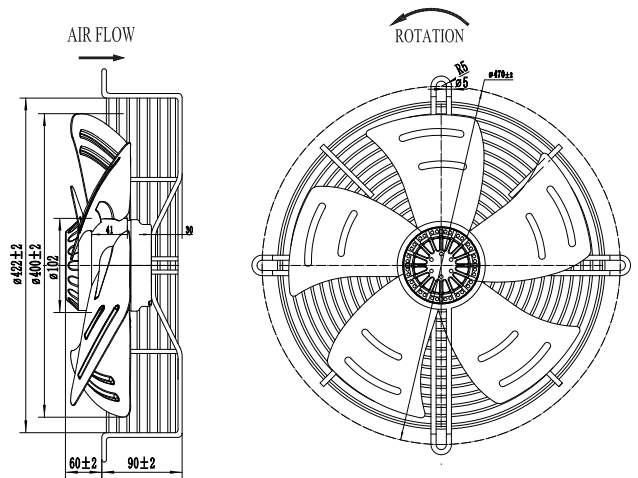
AC EXTERNAL ROTOR



Airflow: 1235-1836 CFM
 Weight: 4900g
 Noise: 56-65dB(A)
 Impeller Material: Metal
 Frame: Metal guard
 Terminals: 0.5mm
 Lead Wire: Teflon 18#UL 1332(Optional)
 Motor: Capacitor-Run And External Rotor Induction Motor
 Operating Temperature: -10°C~+65°C

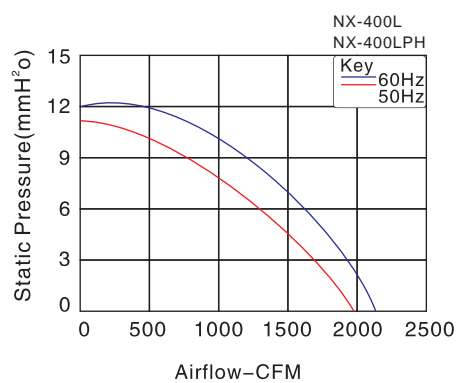
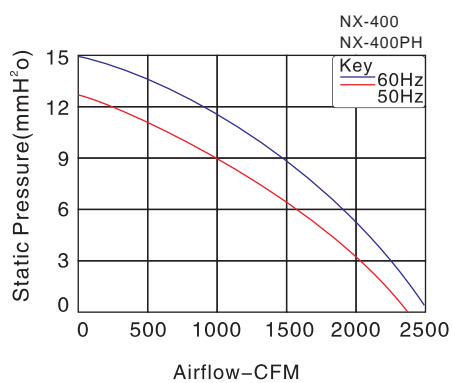
Model	Bearing System	Voltage VAC	Freq. Hz	Current A	Power W	Speed RPM	Noise dB(A)	Air Flow CFM	Phase	Capacitor μ F/VAC
NX-350	Ball	200/240	50/60	0.48/0.56	100/124	1350/1550	62/65	1695/1836	1	5/500
NX-350PH	Ball	380/420	50/60	0.35	150	1360/1500	62/65	1695/1836	3	—
NX-350L	Ball	200/240	50/60	0.42	91	950/1050	56/60	1235/1353	1	3/500
NX-350LPH	Ball	380/420	50/60	0.3	91	950/1050	56/60	1235/1353	3	—

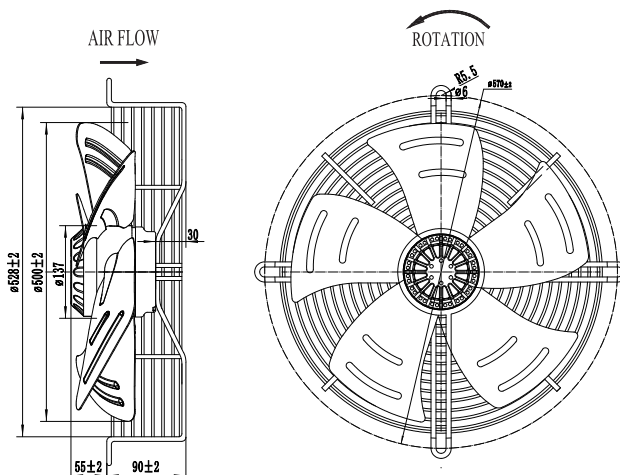




Airflow : 1977-2589 CFM
 Weight : 5600g
 Noise : 58-70dB(A)
 Impeller Material : Metal
 Frame : Metal guard
 Terminals : 0.5mm
 Lead Wire : Teflon18#UL 1332(Optional)
 Motor : Capacitor-Run And External Rotor Induction Motor
 Operating Temperature : -10°C~+65°C

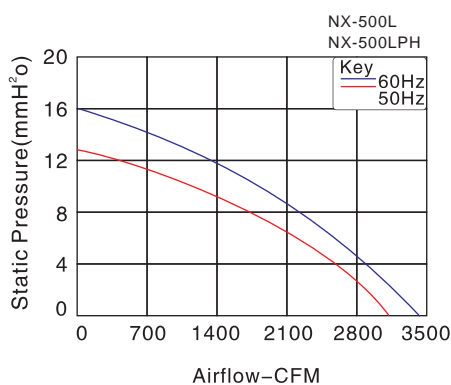
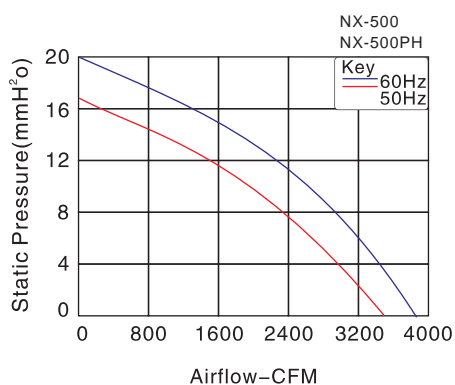
Model	Bearing System	Voltage VAC	Freq. Hz	Current A	Power W	Speed RPM	Noise dB(A)	Air Flow CFM	Phase	Capacitor μ F/VAC
NX-400	Ball	200/240	50/60	0.8	180	1400/1560	68/70	2400/2589	1	6/500
NX-400PH	Ball	380/420	50/60	0.4	180	1400/1560	68/70	2400/2589	3	—
NX-400L	Ball	200/240	50/60	0.5	112	950/1050	58/61	1977/2130	1	4/500
NX-400LPH	Ball	380/420	50/60	0.35	112	950/1050	58/61	1977/2130	3	—





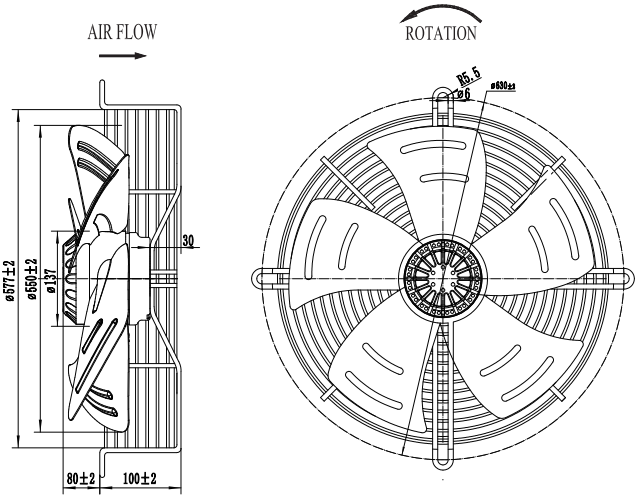
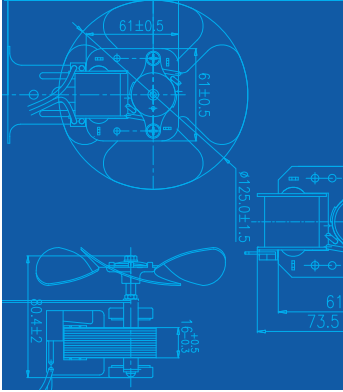
Airflow : 3266-3895 CFM
 Weight : 9300g
 Noise : 65-73dB(A)
 Impeller Material : Metal
 Frame : Metal guard
 Terminals : 0.5mm
 Lead Wire : Teflon18#UL 1332(Optional)
 Motor : Capacitor-Run And External Rotor Induction Motor
 Operating Temperature : -10°C~ +65°C

Model	Bearing System	Voltage VAC	Freq. Hz	Current A	Power W	Speed RPM	Noise dB(A)	Air Flow CFM	Phase	Capacitor μ F/VAC
NX-500	Ball	200/240	50/60	1.8	480	1350/1470	70/73	3589/3895	1	10/500
NX-500PH	Ball	380/420	50/60	0.9	480	1350/1470	70/73	3589/3895	3	—
NX-500L	Ball	200/240	50/60	1.2	240	925/1020	65/68	3266/3431	1	8/500
NX-500LPH	Ball	380/420	50/60	0.5	240	925/1020	65/68	3266/3431	3	—



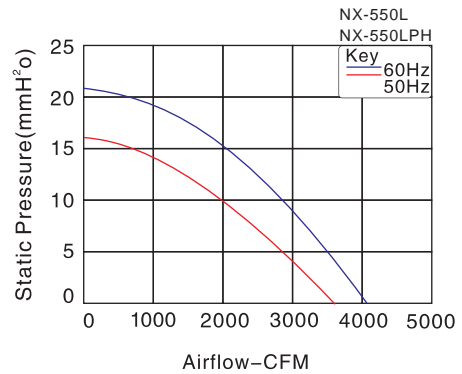
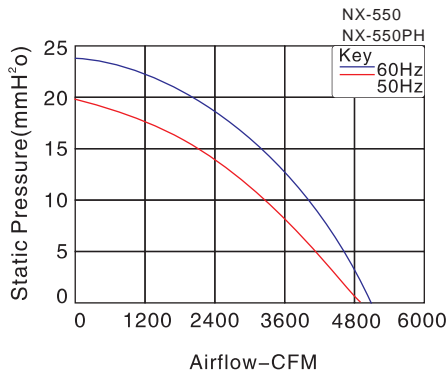
NX LINE

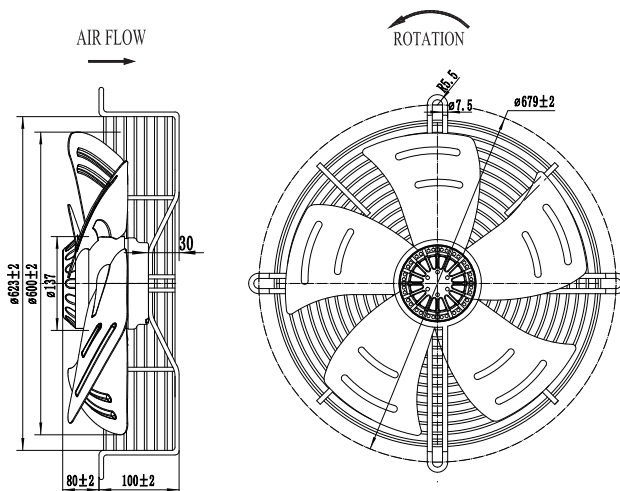
AC EXTERNAL ROTOR



Airflow : 3653-5237 CFM
 Weight : 11200g
 Noise : 68-73dB(A)
 Impeller Material : Metal
 Frame : Metal guard
 Terminals : 0.5mm
 Lead Wire : Teflon 18#UL 1332(Optional)
 Motor : Capacitor-Run And External Rotor Induction Motor
 Operating Temperature : -10°C ~ +65°C

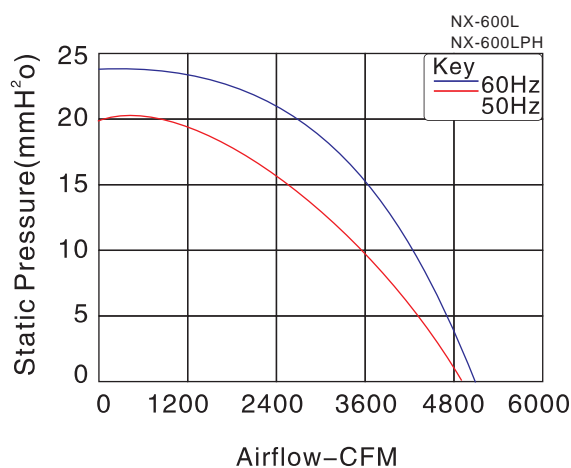
Model	Bearing System	Voltage VAC	Freq. Hz	Current A	Power W	Speed RPM	Noise dB(A)	Air Flow CFM	Phase	Capacitor μ F/VAC
NX-550	Ball	200/240	50/60	2.1	500	1300/1420	70/73	4825/5237	1	10/500
NX-550PH	Ball	380/420	50/60	0.95	500	1300/1420	70/73	4825/5237	3	—
NX-550L	Ball	200/240	50/60	1.2	280	900/980	68/71	3653/4013	1	8/500
NX-550LPH	Ball	380/420	50/60	0.72	280	900/980	68/71	3653/4013	3	—





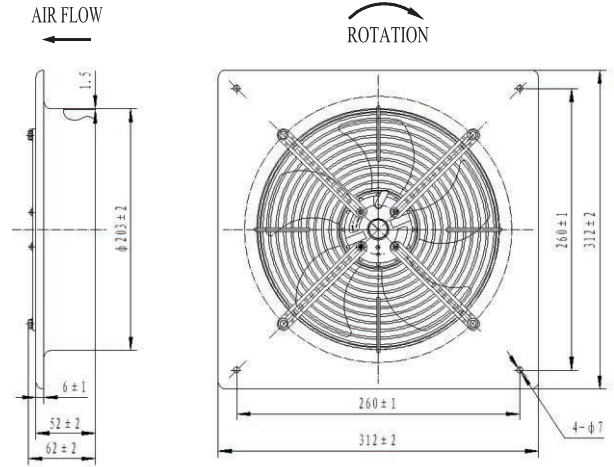
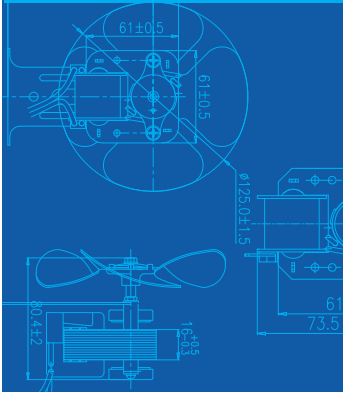
Airflow : 4825-5437 CFM
 Weight : 14000g
 Noise : 70-80dB(A)
 Impeller Material : Metal
 Frame : Metal guard
 Terminals : 0.5mm
 Lead Wire : Teflon18#UL 1332(Optional)
 Motor : Capacitor-Run And External Rotor Induction Motor
 Operating Temperature : -10°C ~ +65°C

Model	Bearing System	Voltage VAC	Freq. Hz	Current A	Power W	Speed RPM	Noise dB(A)	Air Flow CFM	Phase	Capacitor μ F/VAC
NX-600L	Ball	200/240	50/60	2.4	520	900/950	70/78	4825/5237	1	10/500
NX-600LPH	Ball	380/420	50/60	1.4	520	900/950	70/78	4825/5237	3	—



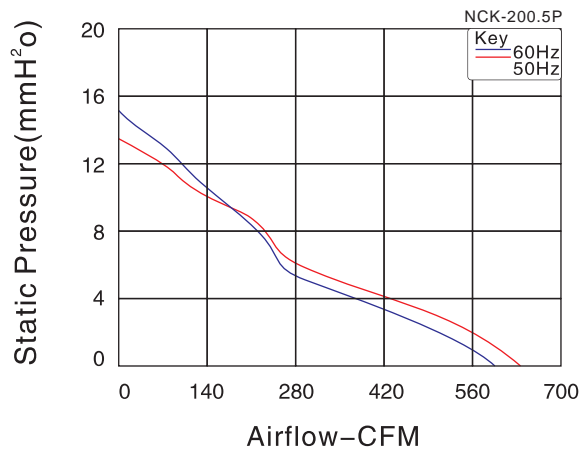
NCK LINE

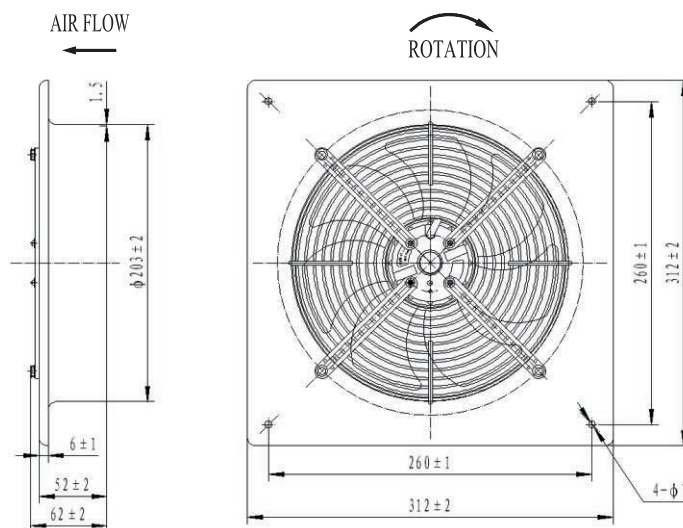
AC EXTERNAL ROTOR



Size : 312mm × 312mm × 62mm
 Airflow : 605-642 CFM
 Noise : 65-68dB(A)
 Impeller Material : Metal
 Motor : Capacitor-Run And External Rotor Induction Motor
 Lead Wire : Teflon22#UL 1332(Optional)
 Operating Temperature : -10°C ~ +65°C
 Type of protection : IP44
 Insulation class : "F"

Model	Bearing System	Voltage VAC	Freq. Hz	Current A	Power W	Speed RPM	Noise dB(A)	Air Flow CFM	Phase	Capacitor μF/VAC
NCK-200U.5P	Ball	100/125	50/60	0.68/0.65	67/77	2550/2850	65/68	605/642	1	4/500
NCK-200.5P	Ball	200/240	50/60	0.35/0.28	60/80	2550/2850	65/68	605/642	1	2.2/500
NCK-200PH.5P	Ball	380/420	50/60	0.45/0.4	62/70	2550/2850	65/68	605/642	3	—





Size : 312mm×312mm×62mm

Airflow : 597-661 CFM

Noise : 59-61dB(A)

Impeller Material : Metal

Motor : Capacitor-Run And External Rotor Induction Motor

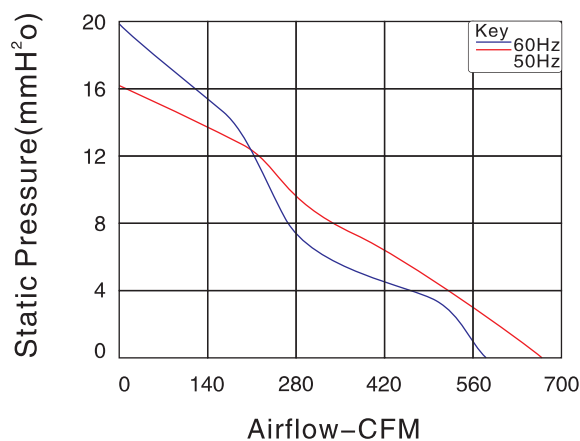
Lead Wire : Teflon22#UL 1332(Optional)

Operating Temperature : -10°C~+65°C

Type of protection : IP44

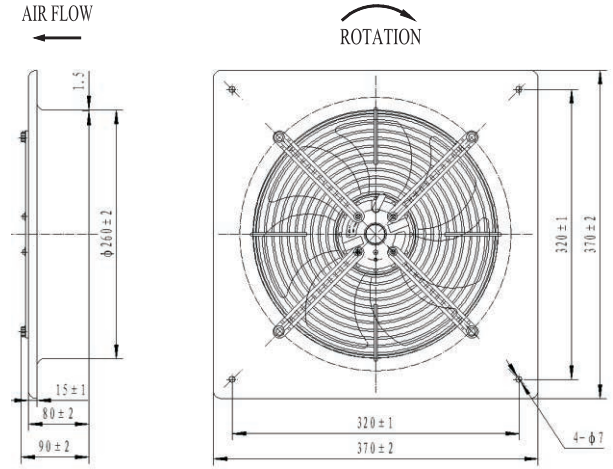
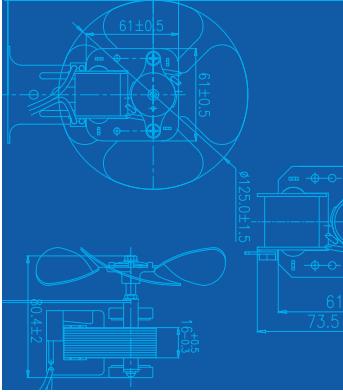
Insulation class : "F"

Model	Bearing System	Voltage VAC	Freq. Hz	Current A	Power W	Speed RPM	Noise dB(A)	Air Flow CFM	Phase	Capacitor μ F/VAC
NCK-200U.7P	Ball	100/125	50/60	0.68/0.65	60/72	2700/3100	59/61	597/661	1	4/500
NCK-200.7P	Ball	200/240	50/60	0.25/0.33	54/71	2700/3100	59/61	597/661	1	2.2/500
NCK-200PH.7P	Ball	380/420	50/60	0.25	50	2700/3100	59/61	597/661	3	—



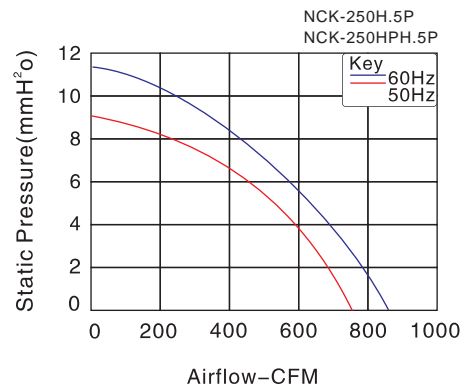
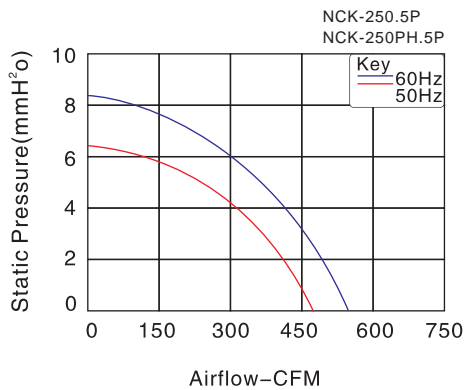
NCK LINE

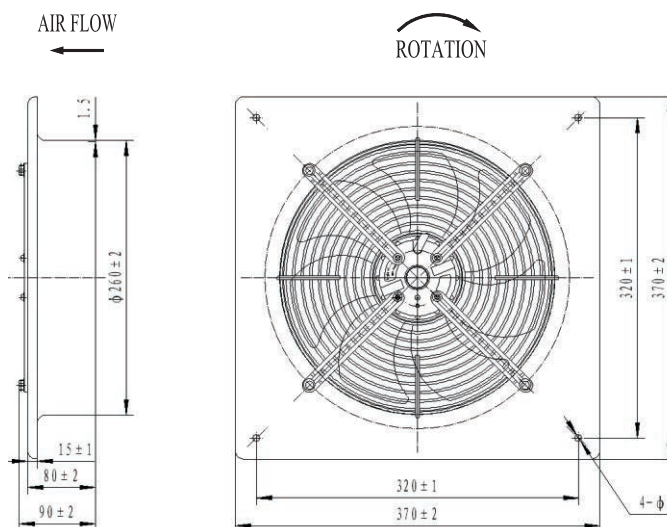
AC EXTERNAL ROTOR



- Size : 370mm × 370mm × 90mm
- Airflow : 494-870 CFM
- Noise : 58-73dB(A)
- Impeller Material : Metal
- Motor : Capacitor-Run And External Rotor Induction Motor
- Lead Wire : Teflon22#UL 1332(Optional)
- Operating Temperature : -10°C ~ +65°C
- Type of protection : IP44
- Insulation class : "F"

Model	Bearing System	Voltage VAC	Freq. Hz	Current A	Power W	Speed RPM	Noise dB(A)	Air Flow CFM	Phase	Capacitor μF/VAC
NCK-250.5P	Ball	220/240	50/60	0.2	40	1300/1500	58/63	494/565	1	4/500
NCK-250PH.5P	Ball	380/420	50/60	0.1	40	1300/1500	58/63	494/565	3	—
NCK-250H.5P	Ball	200/240	50/60	0.5	100	2300/2700	68/73	776/870	1	4/500
NCK-250HPH.5P	Ball	380/420	50/60	0.2	100	2300/2700	68/73	776/870	3	—





Size : 370mm×370mm×90mm

Airflow : 530-1160 CFM

Noise : 60-70dB(A)

Impeller Material : Metal

Motor : Capacitor-Run And External Rotor Induction Motor

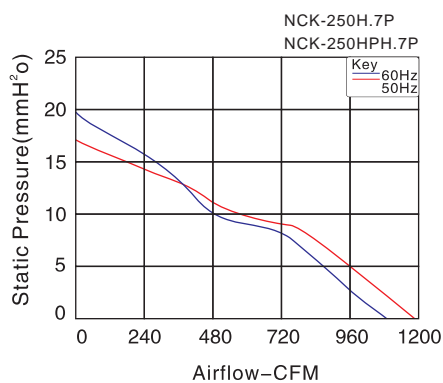
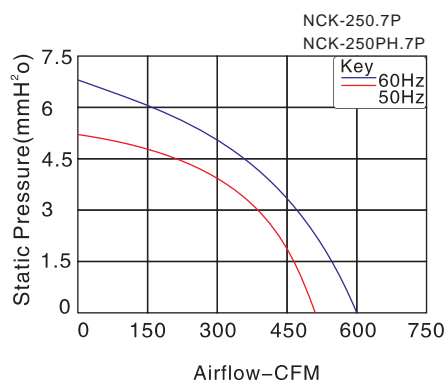
Lead Wire : Teflon22#UL 1332(Optional)

Operating Temperature : -10°C~+65°C

Type of protection : IP44

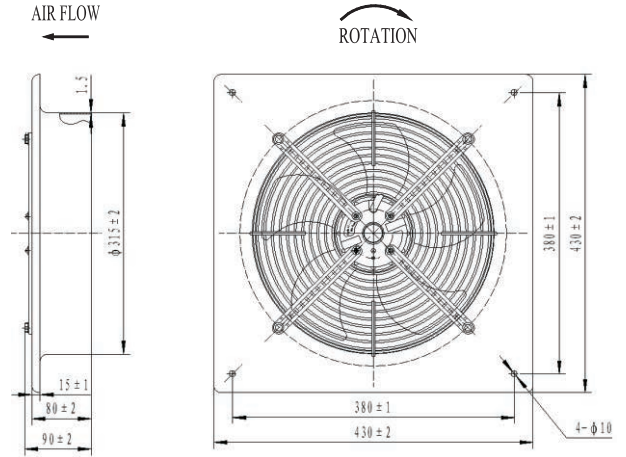
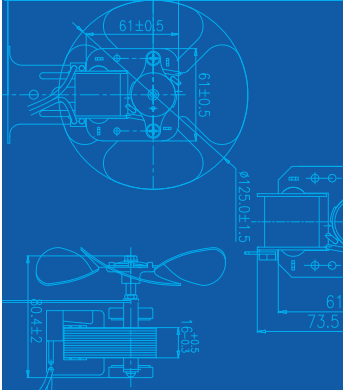
Insulation class : "F"

Model	Bearing System	Voltage VAC	Freq. Hz	Current A	Power W	Speed RPM	Noise dB(A)	Air Flow CFM	Phase	Capacitor μ F/VAC
NCK-250.7P	Ball	220/240	50/60	0.3	50	1300/1500	60/65	530/600	1	4/500
NCK-250PH.7P	Ball	380/420	50/60	0.2	50	1300/1500	60/65	530/600	3	/
NCK-250H.7P	Ball	200/240	50/60	0.58/0.63	126/148	2500/2800	69/70	1098/1160	1	4/500
NCK-250HPH.7P	Ball	380/420	50/60	0.75/0.9	120/136	2500/2800	69/70	1098/1160	3	/



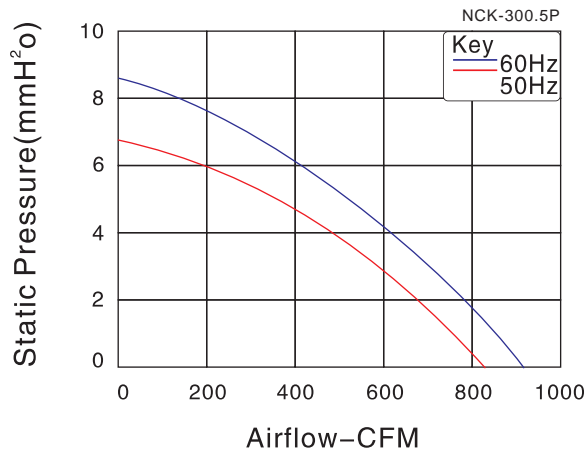
NCK LINE

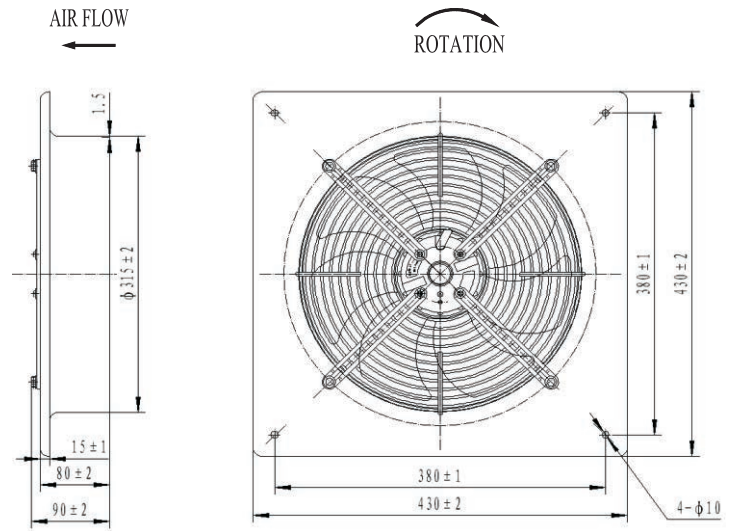
AC EXTERNAL ROTOR



Size : 430mm × 430mm × 90mm
 Airflow : 847-931 CFM
 Noise : 65-68dB(A)
 Impeller Material : Metal
 Motor : Capacitor-Run And External Rotor Induction Motor
 Lead Wire : Teflon22#UL 1332(Optional)
 Operating Temperature : -10°C ~ +65°C
 Type of protection : IP44
 Insulation class : "F"

Model	Bearing System	Voltage VAC	Freq. Hz	Current A	Power W	Speed RPM	Noise dB(A)	Air Flow CFM	Phase	Capacitor μF/VAC
NCK-300.5P	Ball	200/240	50/60	0.4	80	1300/1500	65/68	847/931	1	4/500
NCK-300PH.5P	Ball	380/420	50/60	0.22	80	1300/1500	65/68	847/931	3	—





Size : 430mm×430mm×90mm

Airflow : 920-1350 CFM

Noise : 68-78dB(A)

Impeller Material : Metal

Motor : Capacitor-Run And External Rotor Induction Motor

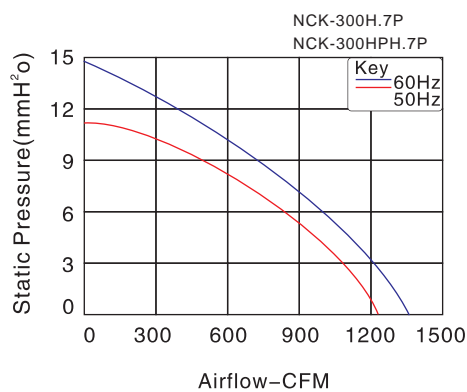
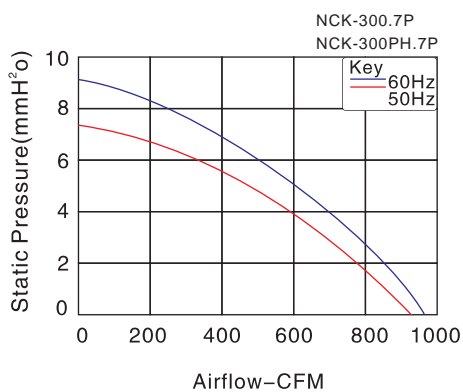
Lead Wire : Teflon22#UL 1332(Optional)

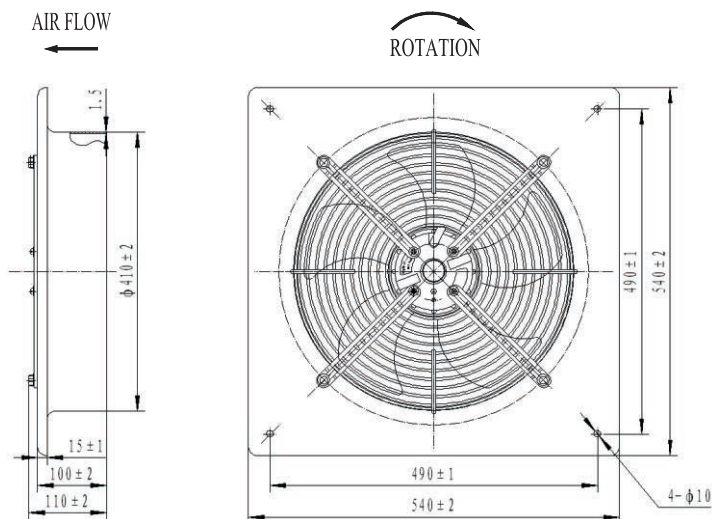
Operating Temperature : -10°C~+65°C

Type of protection : IP44

Insulation class : "F"

Model	Bearing System	Voltage VAC	Freq. Hz	Current A	Power W	Speed RPM	Noise dB(A)	Air Flow CFM	Phase	Capacitor μ F/VAC
NCK-300.7P	Ball	220/240	50/60	0.35	80	1300/1500	68/71	920/955	1	4/500
NCK-300PH.7P	Ball	380/420	50/60	0.3	80	1300/1500	68/71	920/955	3	/
NCK-300H.7P	Ball	220/240	50/60	0.5	150	2200/2500	73/78	1240/1350	1	4/500
NCK-300HPH.7P	Ball	380/420	50/60	0.5	150	2200/2500	73/78	1240/1350	3	/





Size : 540mm×540mm×110mm

Airflow : 1977-2589 CFM

Noise : 58-70dB(A)

Impeller Material : Metal

Motor : Capacitor-Run And External Rotor Induction Motor

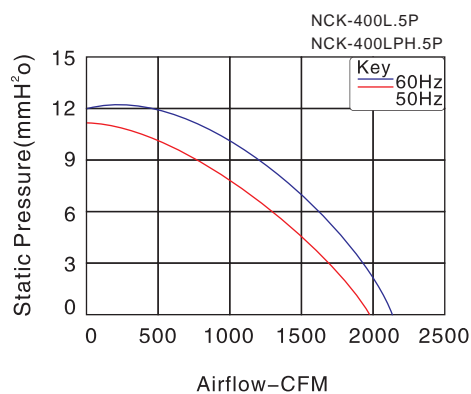
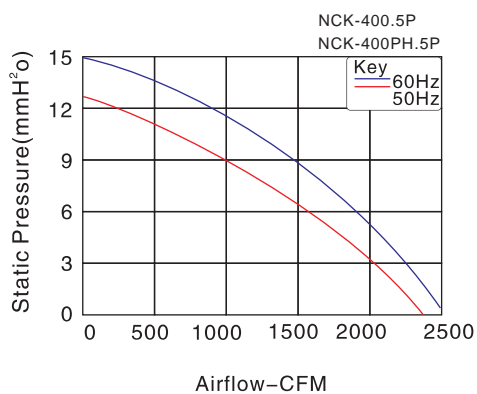
Lead Wire : Teflon18#UL 1332(Optional)

Operating Temperature : -10°C ~ +65°C

Type of protection : IP44

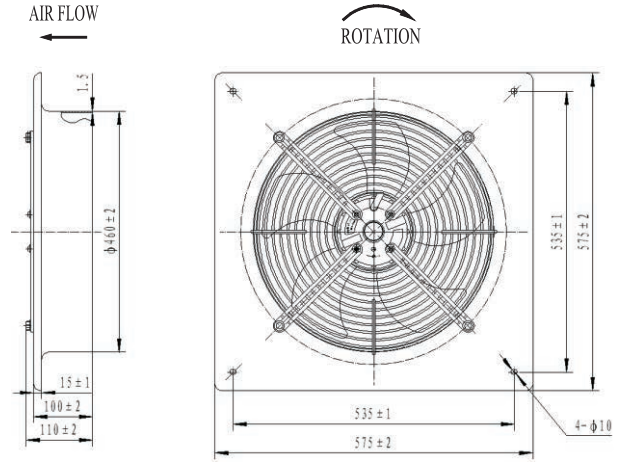
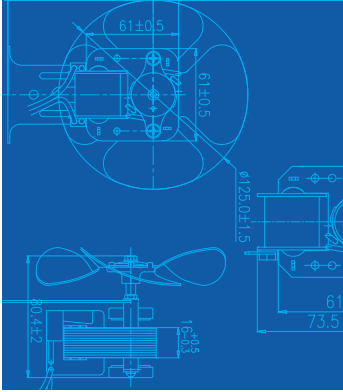
Insulation class : "F"

Model	Bearing System	Voltage VAC	Freq. Hz	Current A	Power W	Speed RPM	Noise dB(A)	Air Flow CFM	Phase	Capacitor μ F/VAC
NCK-400.5P	Ball	200/240	50/60	0.8	180	1400/1560	68/70	2400/2589	1	6/500
NCK-400PH.5P	Ball	380/420	50/60	0.4	180	1400/1560	68/70	2400/2589	3	/
NCK-400L.5P	Ball	200/240	50/60	0.5	112	950/1050	58/61	1977/2130	1	4/500
NCK-400LPH.5P	Ball	380/420	50/60	0.35	112	950/1050	58/61	1977/2130	3	/



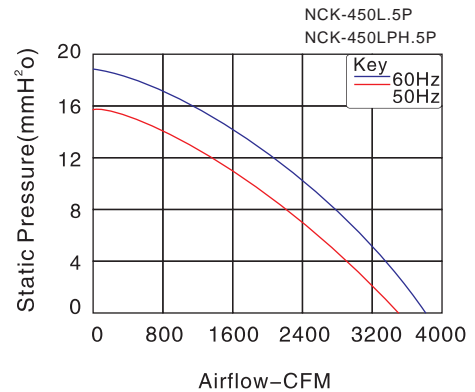
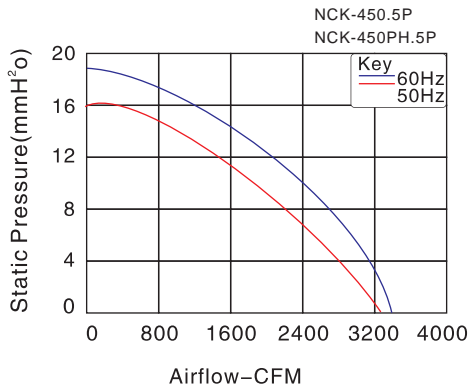
NCK LINE

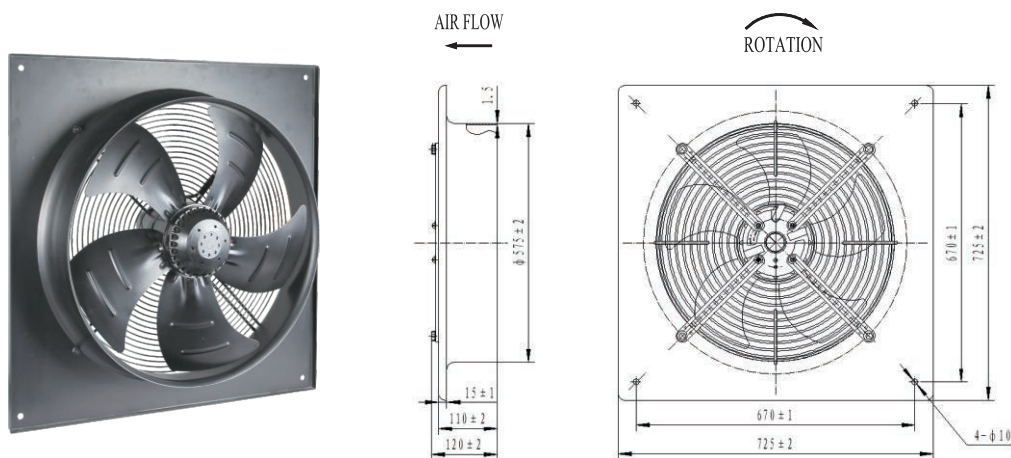
AC EXTERNAL ROTOR



Size : 575mm × 575mm × 110mm
 Airflow : 2624-3413 CFM
 Noise : 59-73dB(A)
 Impeller Material : Metal
 Motor : Capacitor-Run And External Rotor Induction Motor
 Lead Wire : Teflon18#UL 1332(Optional)
 Operating Temperature : -10°C ~ +65°C
 Type of protection : IP44
 Insulation class : "F"

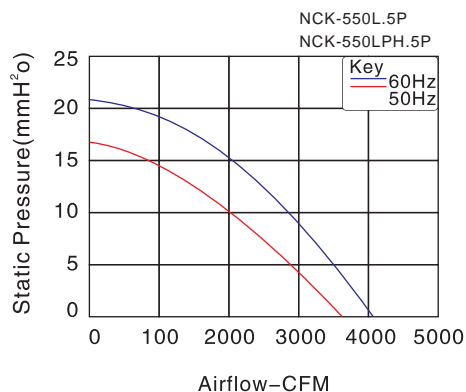
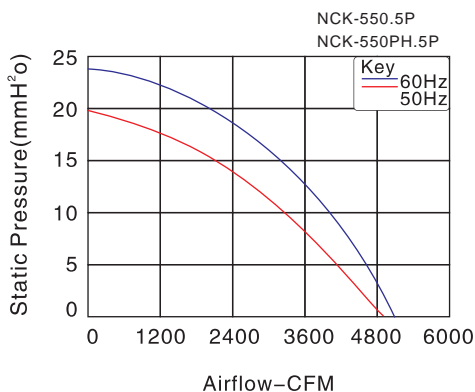
Model	Bearing System	Voltage VAC	Freq. Hz	Current A	Power W	Speed RPM	Noise dB(A)	Air Flow CFM	Phase	Capacitor μF/VAC
NCK-450.5P	Ball	200/240	50/60	1.15	250	1350/1450	70/73	3154/3413	1	8/500
NCK-450PH.5P	Ball	380/420	50/60	0.52	250	1350/1450	70/73	3154/3413	3	—
NCK-450L.5P	Ball	200/240	50/60	0.71	160	920/1040	59/62	2624/2813	1	6/500
NCK-450LPH.5P	Ball	380/420	50/60	0.40	160	920/1040	59/62	2624/2813	3	—





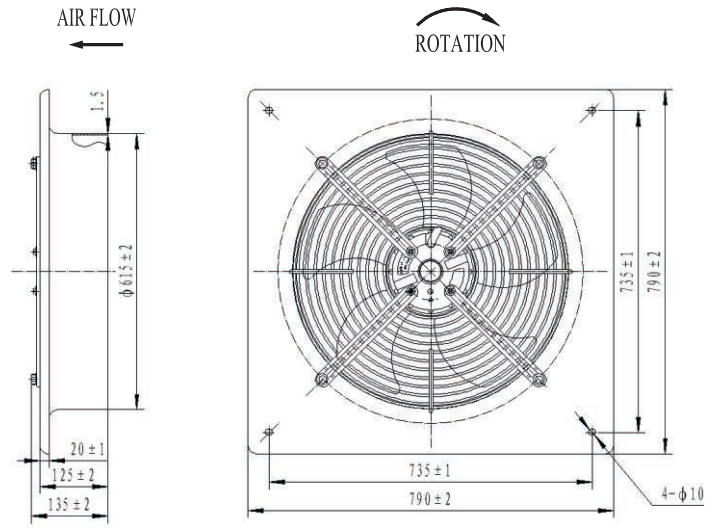
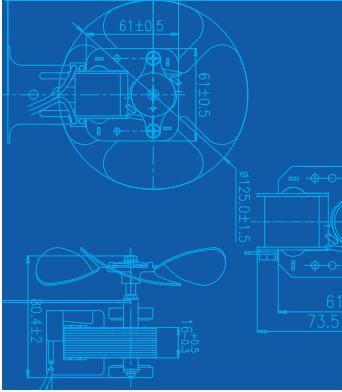
Size : 725mm×725mm×120mm
 Airflow : 3653-5237 CFM
 Noise : 68-73dB(A)
 Impeller Material : Metal
 Motor : Capacitor-Run And External Rotor Induction Motor
 Lead Wire : Teflon18#UL 1332(Optional)
 Operating Temperature : -10°C ~ +65°C
 Type of protection : IP44
 Insulation class : "F"

Model	Bearing System	Voltage VAC	Freq. Hz	Current A	Power W	Speed RPM	Noise dB(A)	Air Flow CFM	Phase	Capacitor μ F/VAC
NCK-550.5P	Ball	200/240	50/60	2.1	500	1300/1420	70/73	4825/5237	1	10/500
NCK-550PH.5P	Ball	380/420	50/60	0.95	500	1300/1420	70/73	4825/5237	3	/
NCK-550L.5P	Ball	200/240	50/60	1.2	280	900/980	68/71	3653/4013	1	8/500
NCK-550LPH.5P	Ball	380/420	50/60	0.72	280	900/980	68/71	3653/4013	3	/



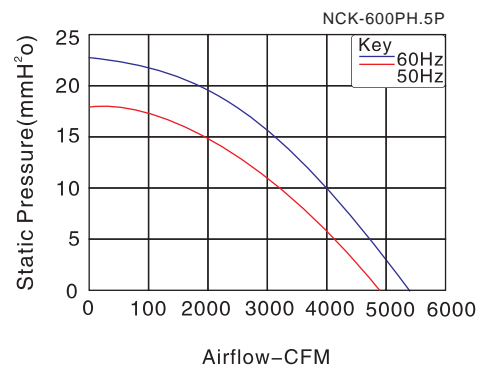
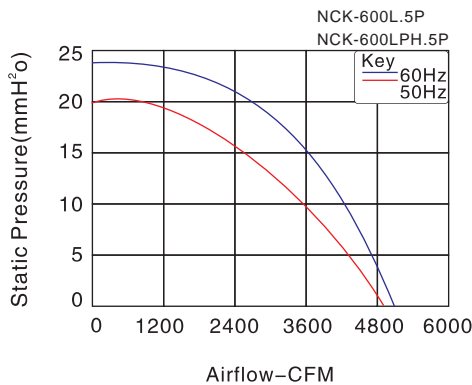
NCK LINE

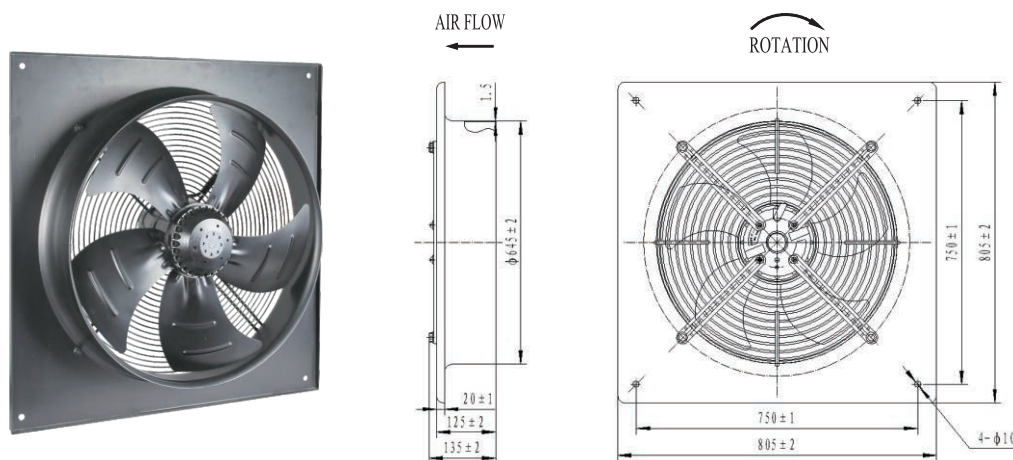
AC EXTERNAL ROTOR



Size : 790mm×790mm×135mm
 Airflow : 4825-5437 CFM
 Noise : 70-80dB(A)
 Impeller Material : Metal
 Motor : Capacitor-Run And External Rotor Induction Motor
 Lead Wire : Teflon18#UL 1332(Optional)
 Operating Temperature : -10°C ~ +65°C
 Type of protection : IP44
 Insulation class : "F"

Model	Bearing System	Voltage VAC	Freq. Hz	Current A	Power W	Speed RPM	Noise dB(A)	Air Flow CFM	Phase	Capacitor μF/VAC
NCK-600L.5P	Ball	200/240	50/60	2.4	520	900/950	70/78	4825/5237	1	10/500
NCK-600LPH.5P	Ball	380/420	50/60	1.4	520	900/950	70/78	4825/5237	3	/
NCK-600PH.5P	Ball	380/420	50/60	1.6	820	1300/1400	73/80	4925/5437	3	/

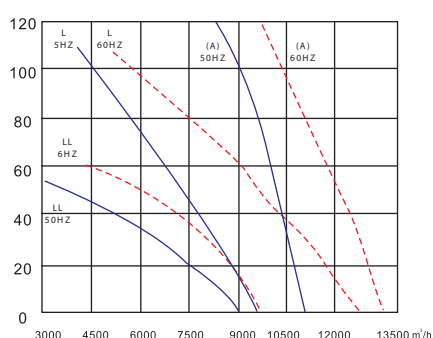
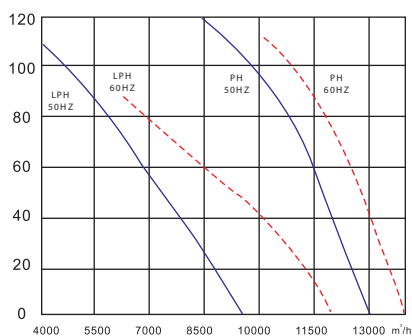




Size : 805mm×805mm×135mm

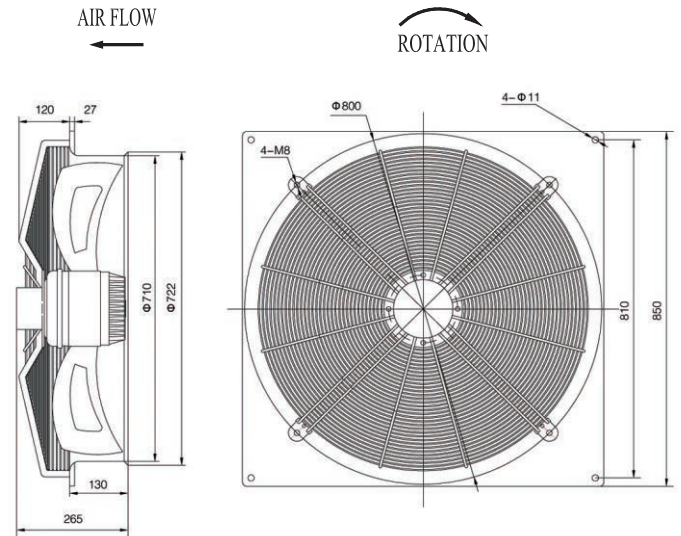
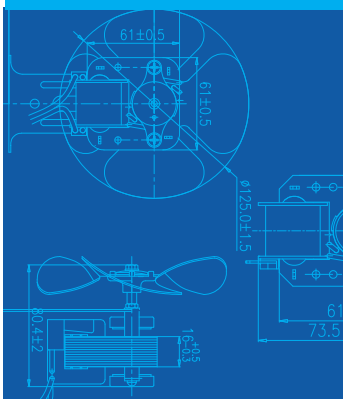
- Airflow : 9000-13500 CFM
- Noise : 60-79dB(A)
- Impeller Material : Metal
- Motor : Capacitor-Run And External Rotor Induction Motor
- Lead Wire : Teflon18#UL 1332(Optional)
- Operating Temperature : -10°C~ +65°C
- Type of protection : IP44
- Insulation class : "F"

Model	Bearing System	Voltage VAC	Freq. Hz	Current A	Power W	Speed RPM	Noise dB(A)	Air Flow CFM	Phase	Capacitor μ F/VAC
NCK-630.5P(A)	Ball	200-240	50/60	4.5/3.0	920/680	1300/1500	75/79	11000/13500	1	12/500
NCK-630PH.5P	Ball	380-420	50/60	1.8/1.8	800/850	1300/1480	75/79	13000/14000	3	/
NCK-630L.5P	Ball	200-240	50/60	1.45/1.8	360/420	900/1100	70/73	9500/12800	1	8/500
NCK-630LPH.5P	Ball	380-420	50/60	1.3/1.2	400/460	900/1100	70/73	9500/12000	3	/
NCK-630LL.5P	Ball	200-240	50/60	1.5/1.6	250/300	700/720	60/65	9000/9600	1	5/500



NCK LINE

AC EXTERNAL ROTOR



Size : 850mm×850mm×265mm

Airflow : 7509-9229 CFM

Noise : 80dB(A)

Impeller Material : Metal

Motor : Capacitor-Run And External Rotor Induction Motor

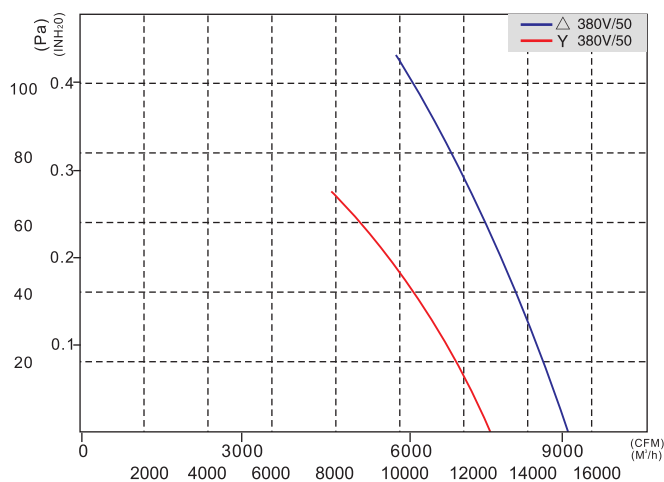
Lead Wire : Teflon18#UL 1332(Optional)

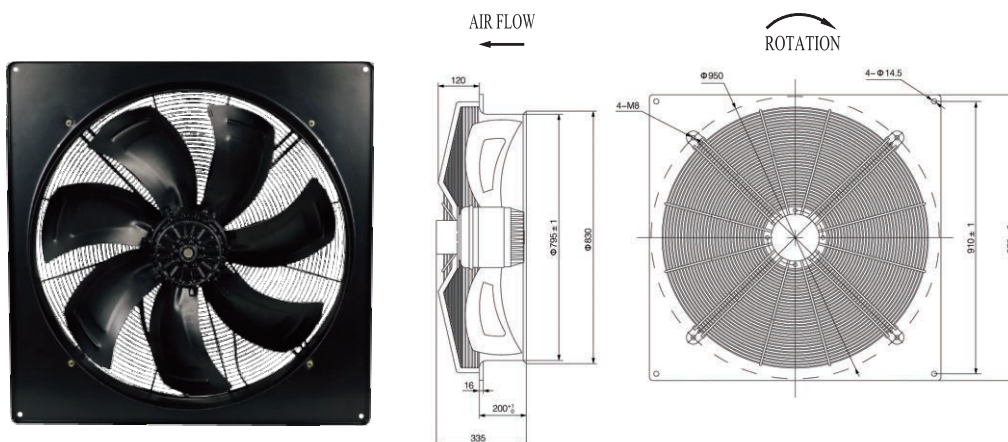
Operating Temperature : -10°C~+65°C

Type of protection : IP44

Insulation class : "F"

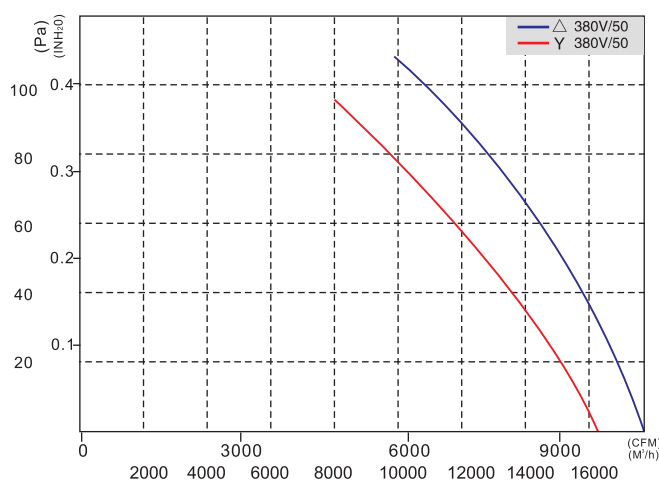
Model	Bearing System	Voltage VAC	Freq. Hz	Current A	Power W	Speed RPM	Air Flow CFM	Connection way	Noise dB(A)
NCK-710PH.7P	Ball	380	50	1.9/1.15	900/650	900/730	9229/7509	△/Y	80





Size : 970mm×970mm×335mm
 Airflow : 9476-11802 CFM
 Noise : 82dB(A)
 Impeller Material : Metal
 Motor : Capacitor-Run And External Rotor Induction Motor
 Lead Wire : Teflon18#UL 1332(Optional)
 Operating Temperature : -10°C ~ +65°C
 Type of protection : IP44
 Insulation class : "F"

Model	Bearing System	Voltage VAC	Freq. Hz	Current A	Power W	Speed RPM	Air Flow CFM	Connection way	Noise dB(A)
NCK-800PH.7P	Ball	380	50	2.85/1.6	1200/930	920/770	11802/9476	△/Y	82





Representative Office

Via Emilio Motta 6 | 20144 Milan | Italy
+39 (02) 49671368

Factory & Warehouse

Via Madonna del Bosco snc | 26016 Spino d'Adda | Milan | Italy
+39 (03) 63701179

Laboratory Center

Via Vittorio Veneto 24 | 20062 Cassano d'Adda | Milan | Italy

info@nitec.srl
www.nitec.srl

