



***Fans and motors  
for refrigeration, air-condition and ventilation***

**EC COMPACT FANS  
EC TANGENTIAL FANS**

---

**Start small, act big,  
Think big, achieve bigger.**

**Your trust, Our Mission  
Innovate, Differentiate  
Think, Act, Save**

## Nitec History

Until 2022 NITEC was a company of the Fineldo Holding of which other companies such as Hotpoint–Ariston, Indesit Company and Sholtes were part.

From 1976 to 1991 NITEC as EPC (Engineering Procurement & Construction) built in China with its Italian technology, production plants for the Haier and Midea companies.

In addition to maintaining its role as the only worldwide distributor of spare parts for the group companies, the experience gained has allowed NITEC to continue the role of EPC in the field of renewable energy, constructing large plants in Europe, South Africa and Latin America, on behalf of investors such as Enel Green Power, China Yangtze Power, LG Energy Solution.

In 2009 NITEC developed together with an important Japanese company the technology for the production of electrical green motors also for the HVAC sector, producing for the United States and Canada markets.

In 2023 NITEC landed in Europe to offer its high quality and competitive fan motors.



# HIGH Quality High Eficency, The Highest Performance

## MISSION

Peak performers see the ability to manage change as a necessity in fulfilling their missions

## VISION

To succeed in your mission, you must have single-minded devotion to your goal

## VALUES

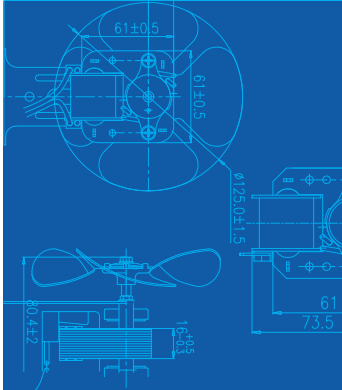
- Punctuality
- Eficency
- Support
- Devotion



<b>NEC LINE EC COMPACT .....</b>	<b>6</b>
<b>NECT LINE EC CROSSFLOW .....</b>	<b>16</b>

# NEC LINE

## EC COMPACT

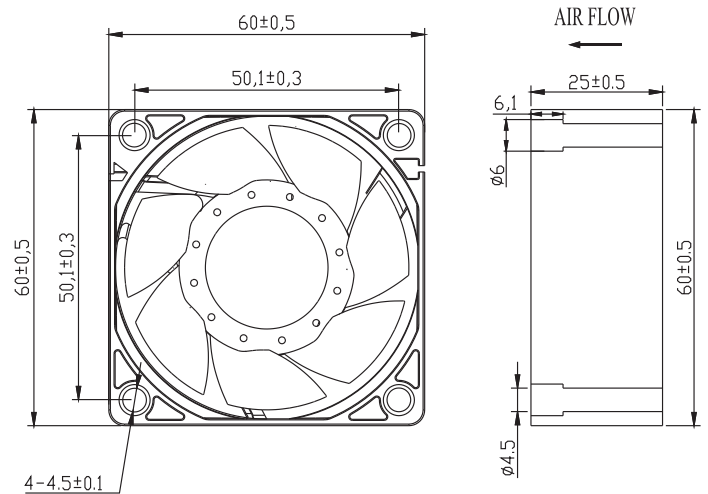


## 6025 EC FAN

### 60\*60\*25MM SERIES

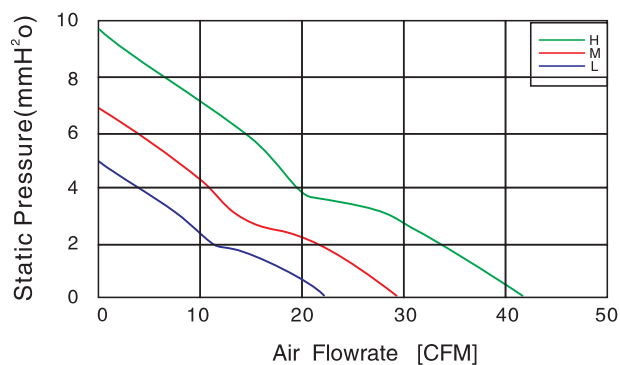
Material  
UL 1007 AWG # 24 OR Equivalent  
Black Wire:AC

### DIMENSIONS DRAWING



MODEL NO	RATED VOLTAGE ACV	OPERATING VOLTAGE ACV	RATED CURRENT A	RATED POWER W	RATED SPEED RPM (± 10%)	MAX. AIR FLOW		MAX.STATIC AIR PRESSURE		NOISE LEVEL dbA
						CMM	CFM	InH <sub>2</sub> O	mmH <sub>2</sub> O	
NEC-6025CUHT	220	85~265	0.02	4.6	5800	0.996	35.17	0.378	9.6	43.9
NEC-6025CUMT	220	85~265	0.014	3.0	5000	0.83	29.32	0.263	6.67	40.0
NEC-6025CULT	220	85~265	0.008	1.8	4200	0.668	23.58	0.189	4.81	35.7

### P & Q CURVE (AT RATED VOLTAGE)





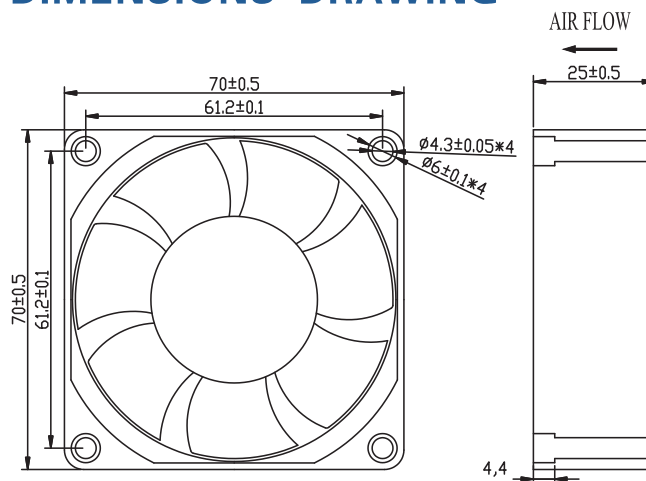
## 7025 EC FAN 70\*70\*25MM SERIES

Material

UL 1007 AWG # 24 OR Equivalent

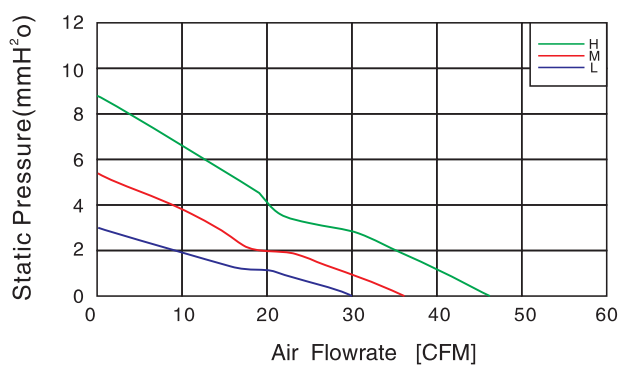
Black Wire:AC

### DIMENSIONS DRAWING



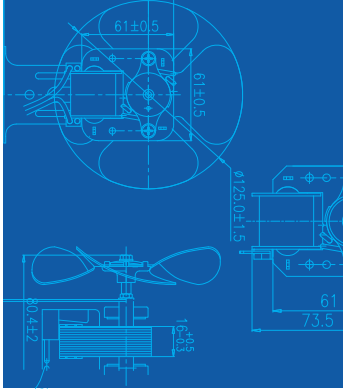
MODEL NO	RATED VOLTAGE V	OPERATING VOLTAGE V	RATED CURRENT A	ACTUAL CURRENT A	RATED POWER	RATED SPEED RPM (±10%)	MAX. AIR FLOW		MAX.STATIC AIR PRESSURE		NOISE LEVEL dbA
							CMM	CFM	InH <sub>2</sub> O	mmH <sub>2</sub> O	
NEC-7025CUHT	220	85~265	0.02	4.6	4.4	4800	1.283	45.30	0.330	8.37	44.5
NEC-7025CUMT	220	85~265	0.014	3	3.08	3800	1.017	35.90	0.207	5.25	39.5
NEC-7025CULT	220	85~265	0.008	1.8	1.76	3200	0.856	30.24	0.146	3.72	35.7

### P & Q CURVE (AT RATED VOLTAGE)



# NEC LINE

## EC COMPACT

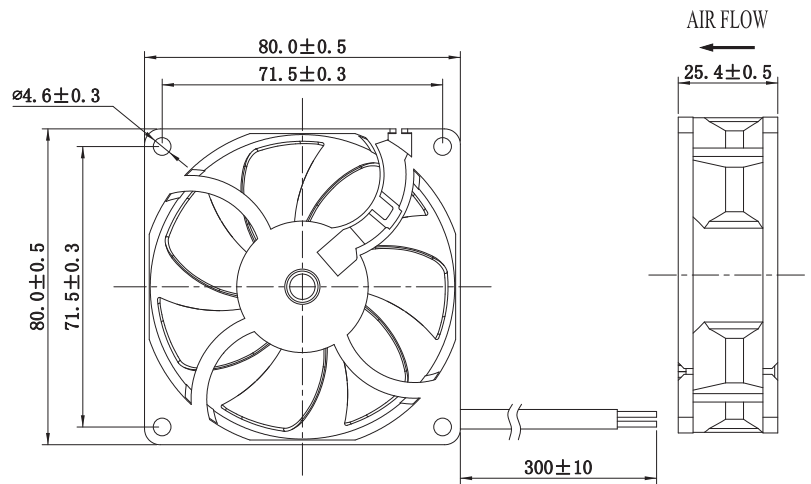


## 8025 EC FAN

### 80\*80\*25MM SERIES

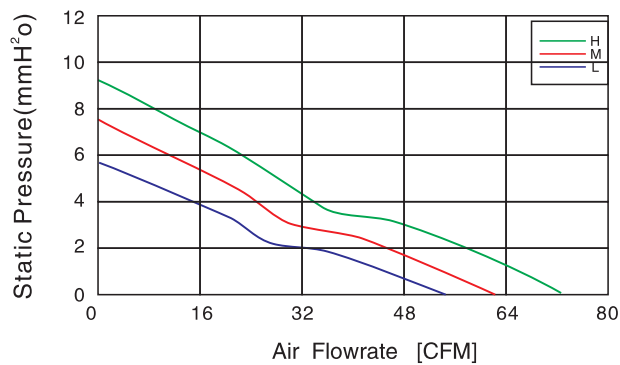
Material  
UL 1007 AWG # 24 OR Equivalent  
Black Wire:AC

### DIMENSIONS DRAWING



MODEL NO	RATED VOLTAGE ACV	OPERATING VOLTAGE ACV	RATED CURRENT A	RATED POWER W	RATED SPEED RPM (±10%)	MAX. AIR FLOW		MAX.STATIC AIR PRESSURE		NOISE LEVEL dbA
						CMM	CFM	InH <sub>2</sub> O	mmH <sub>2</sub> O	
NEC-8025CUHC	220	85~265	0.027	6.0	4500	1.951	68.9	0.382	9.71	42.6
NEC-8025CUMC	220	85~265	0.019	4.2	4000	1.736	61.3	0.302	7.67	39.7
NEC-8025CULC	220	85~265	0.013	2.8	3500	1.518	53.6	0.231	5.87	37.1

### P & Q CURVE (AT RATED VOLTAGE)



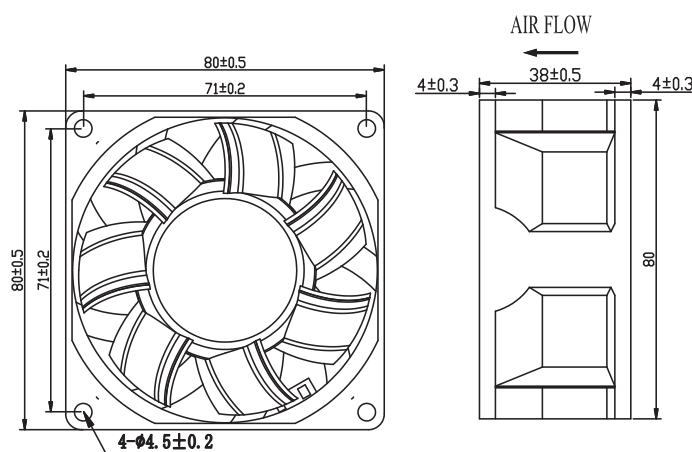


## 8038 EC FAN

### 80 \* 80 \* 38MM SERIES

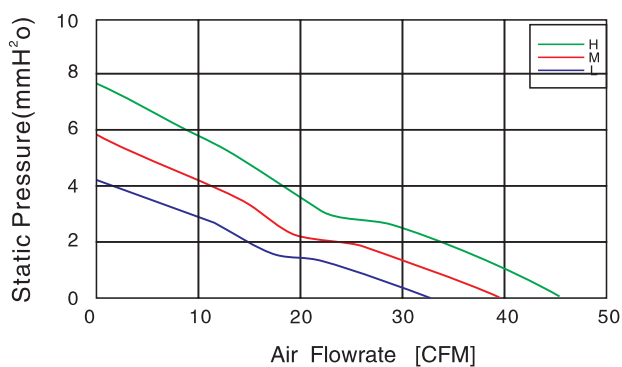
Material  
UL 1007 AWG # 24 OR Equivalent  
Black Wire:AC

### DIMENSIONS DRAWING



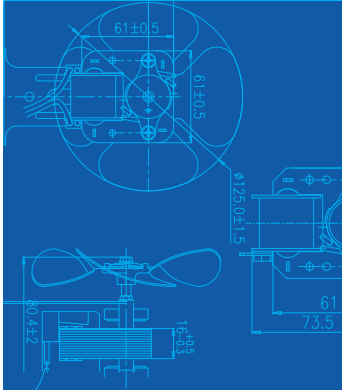
MODEL NO	RATED VOLTAGE ACV	OPERATING VOLTAGE ACV	RATED CURRENT A	RATED POWER W	RATED SPEED RPM ( $\pm 10\%$ )	MAX. AIR FLOW		MAX.STATIC AIR PRESSURE		NOISE LEVEL dbA
						CMM	CFM	InH <sub>2</sub> O	mmH <sub>2</sub> O	
NEC-8038CUHT	220	85~265	0.016	3.6	4000	1.593	56.27	0.398	10.11	44.2
NEC-8038CUMT	220	85~265	0.011	2.5	3500	1.394	49.24	0.305	7.74	41.3
NEC-8038CULT	220	85~265	0.007	1.6	3000	1.195	42.20	0.224	5.69	37.9

### P & Q CURVE (AT RATED VOLTAGE)



# NEC LINE

## EC COMPACT

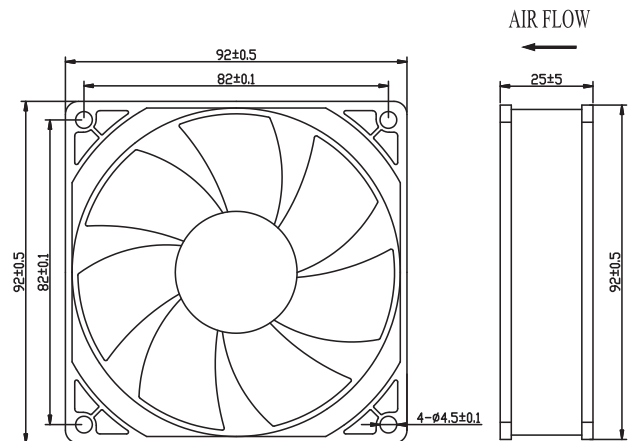


## 9225 EC FAN

### 92 \* 92 \* 25MM SERIES

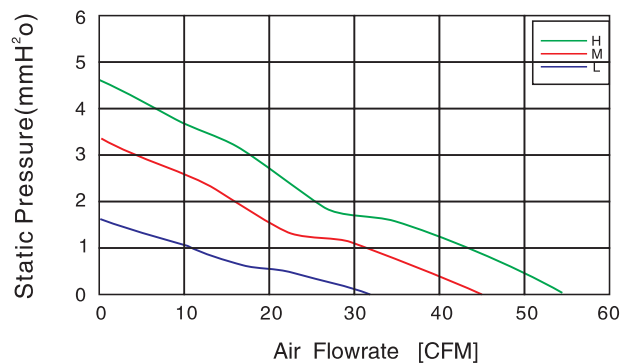
Material  
UL 1007 AWG # 24 OR Equivalent  
Black Wire:AC

### DIMENSIONS DRAWING



MODEL NO	RATED VOLTAGE ACV	OPERATING VOLTAGE ACV	RATED CURRENT A	RATED POWER W	RATED SPEED RPM (± 10%)	MAX. AIR FLOW		MAX.STATIC AIR PRESSURE		NOISE LEVEL dbA
						CMM	CFM	InH <sub>2</sub> O	mmH <sub>2</sub> O	
NEC-9225CUHT	220	85~265	0.011	2.5	3000	1.559	55.06	0.179	4.54	37.4
NEC-9225CUMT	220	85~265	0.008	1.8	2500	1.299	45.89	0.124	3.15	33.5
NEC-9225CULT	220	85~265	0.005	1.2	1800	0.935	33.03	0.064	1.63	26.3

### P & Q CURVE (AT RATED VOLTAGE)



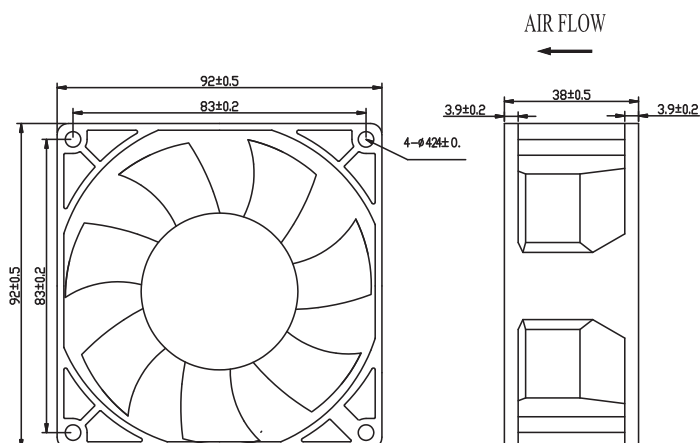


## 9238 EC FAN

### 92\*92\*38MM SERIES

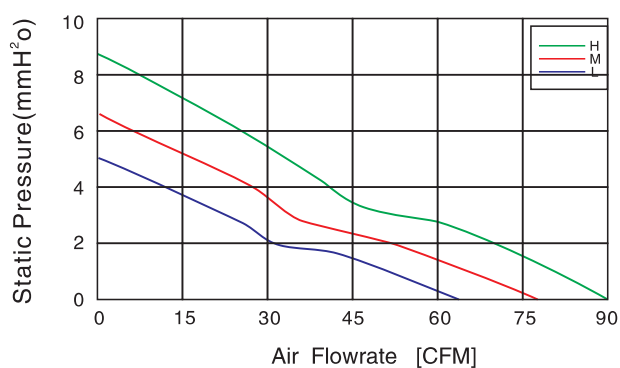
Material  
UL 1007 AWG # 24 OR Equivalent  
Black Wire:AC

### DIMENSIONS DRAWING



MODEL NO	RATED VOLTAGE ACV	OPERATING VOLTAGE ACV	RATED CURRENT A	RATED POWER W	RATED SPEED RPM (± 10%)	MAX. AIR FLOW		MAX.STATIC AIR PRESSURE		NOISE LEVEL dbA
						CMM	CFM	InH <sub>2</sub> O	mmH <sub>2</sub> O	
NEC-9238CUHT	220	85~265	0.07	7.0	3600	2.53	89.37	0.341	8.66	47.7
NEC-9238CUMT	220	85~265	0.05	5.8	3100	2.18	76.96	0.253	6.42	44.5
NEC-9238CULT	220	85~265	0.03	4.6	2600	1.83	64.55	0.178	4.52	40.6

### P & Q CURVE (AT RATED VOLTAGE)





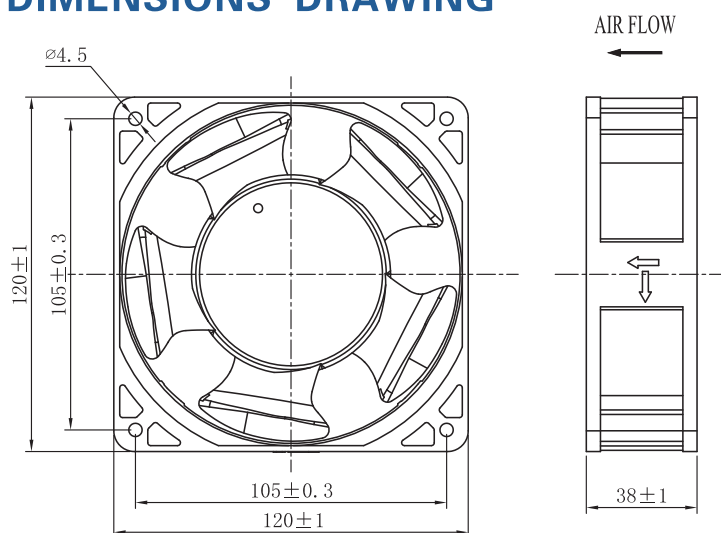


## 12038 EC FAN

### 120\*120\*38MM SERIES

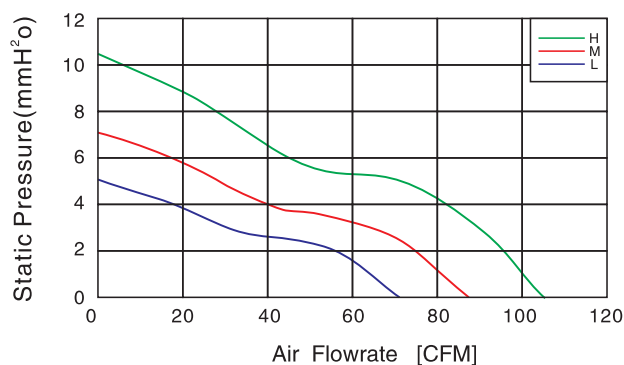
Material  
UL 1007 AWG # 24 OR Equivalent  
Black Wire:AC

### DIMENSIONS DRAWING



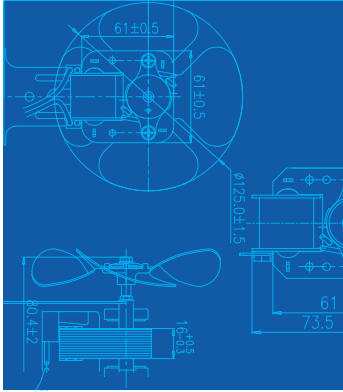
MODEL NO	RATED VOLTAGE ACV	OPERATING VOLTAGE ACV	RATED CURRENT A	RATED POWER W	RATED SPEED RPM (± 10%)	MAX. AIR FLOW		MAX.STATIC AIR PRESSURE		NOISE LEVEL dbA
						CMM	CFM	InH <sub>2</sub> O	mmH <sub>2</sub> O	
NEC-12038CUHT	220	85~265	0.04	8.0	3100	2.97	104.8	0.407	10.35	47.7
NEC-12038CUMT	220	85~265	0.023	5.0	2600	2.49	87.90	0.287	7.28	43.7
NEC-12038CULT	220	85~265	0.013	2.9	2200	2.11	74.40	0.205	5.21	40.1

### P & Q CURVE (AT RATED VOLTAGE)



# NEC LINE

## EC COMPACT

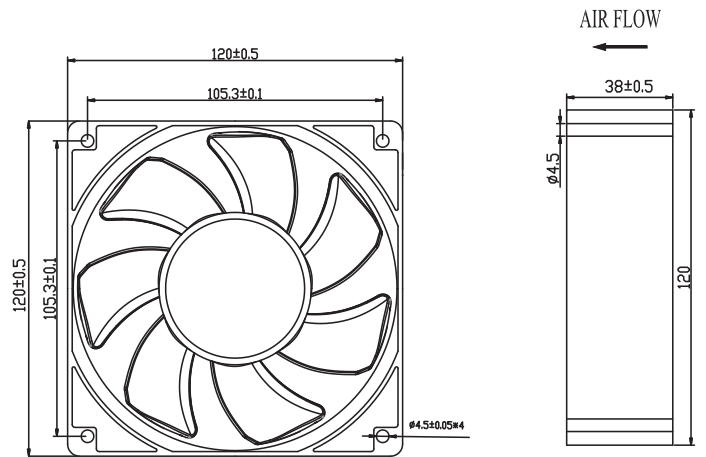


# 12038 EC FAN

## 120 \* 120 \* 38MM SERIES

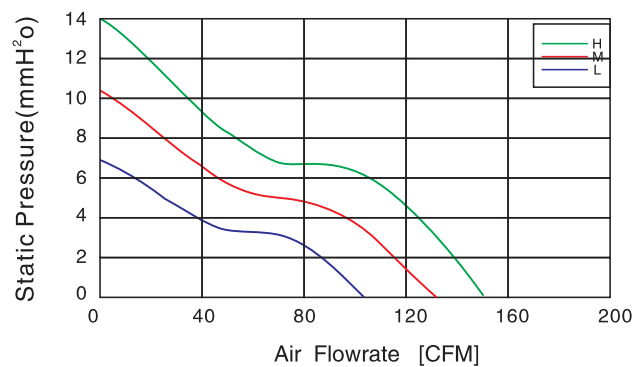
Material  
UL 1007 AWG # 24 OR Equivalent  
Black Wire:AC

### DIMENSIONS DRAWING



MODEL NO	RATED VOLTAGE ACV	OPERATING VOLTAGE ACV	RATED CURRENT A	RATED POWER W	RATED SPEED RPM (± 10%)	MAX. AIR FLOW		MAX.STATIC AIR PRESSURE		NOISE LEVEL dbA
						CMM	CFM	InH <sub>2</sub> O	mmH <sub>2</sub> O	
NEC-12038CUHT7	220	85~265	0.15	15	3400	3.98	104.4	0.480	12.2	47.8
NEC-12038CUMT7	220	85~265	0.04	8.0	3100	3.63	128.1	0.399	10.14	46
NEC-12038CULT7	220	85~265	0.02	4.6	2500	2.92	103.2	0.260	6.61	41.1

### P & Q CURVE (AT RATED VOLTAGE)



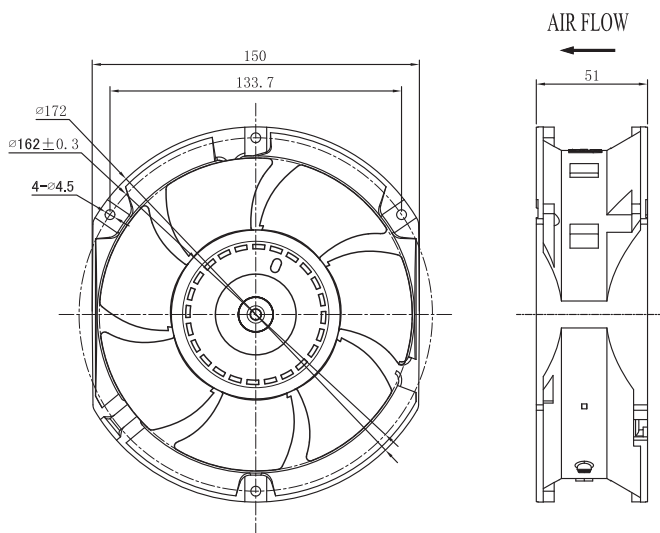


## 17251 EC FAN

### 172\*150\*51MM SERIES

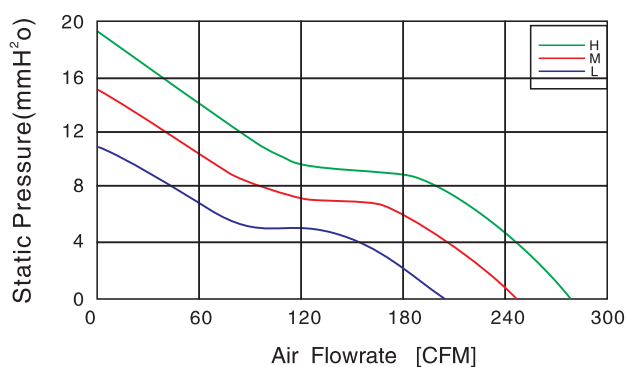
Material  
 UL 1007 AWG # 24 OR Equivalent  
 Black Wire:AC

### DIMENSIONS DRAWING



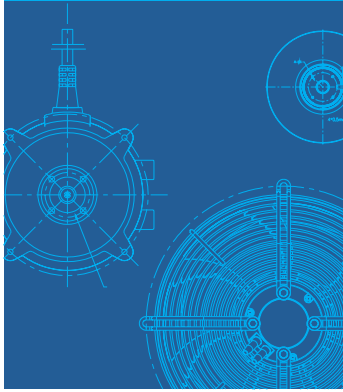
MODEL NO	RATED VOLTAGE ACV	OPERATING VOLTAGE ACV	RATED CURRENT A	RATED POWER W	RATED SPEED RPM (± 10%)	MAX. AIR FLOW		MAX.STATIC AIR PRESSURE		NOISE LEVEL dbA
						CMM	CFM	InH <sub>2</sub> O	mmH <sub>2</sub> O	
NEC-17251CUHT	220	85~265	0.12	25	3500	7.72	272.5	0.747	18.97	58
NEC-17251CUMT	220	85~265	0.09	19	3100	6.83	241.4	0.586	14.88	55.4
NEC-17251CULT	220	85~265	0.06	13	2600	5.73	202.4	0.412	10.47	51.5

### P & Q CURVE (AT RATED VOLTAGE)



# NECT LINE

## EC CROSSFLOW



### Technical specifications

Motor	Scroll Diameter (mm)	Voltage (V)	Speed(RPM)	Ambient Temp	A ( mm)	B ( mm)	C ( mm)	D ( mm)	E ( mm)
NECT-60180	60*180	AC110-230	1300~2500	-30~+50°C	53	180	255	192	153.5
NECT-60240	60*240	AC110-230	1300~2300	-30~+50°C	72	240	333	252	211.5
NECT-60300	60*300	AC110-230	1300~2300	-30~+50°C	72	300	394	312	272
NECT-60360	60*360	AC110-230	1300~2300	-30~+50°C	72	360	455	372	331.5
NECT-60420	60*420	AC110-230	1300~2300	-30~+50°C	72	420	516	432	391.5

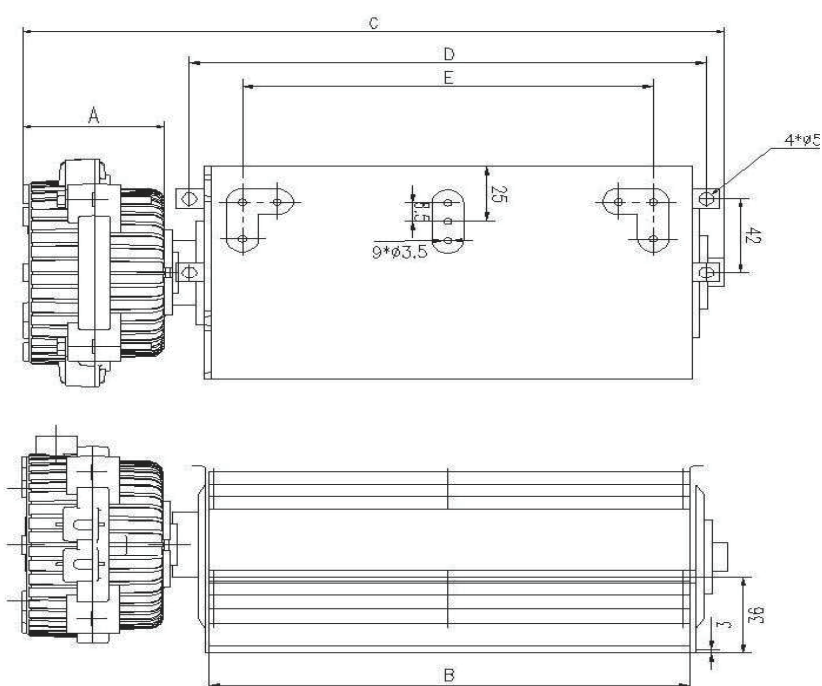
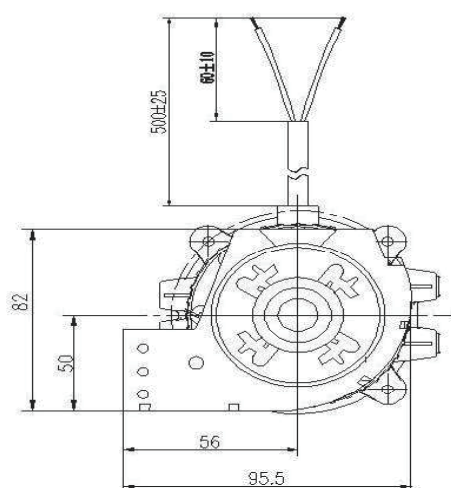
### Input Power

Motor	Speed(RPM)	Input Power (W)				
		60*180(mm)	60*240(mm)	60*300(mm)	60*360(mm)	60*420(mm)
NEC-0508	1300	2.3	3.1	4.2	6.5	/
NEC-1520		1.5	2.8	3.5	5.9	12.5
NEC-0508	1550	3.8	5	6.1	12.5	/
NEC-1520		3.3	4.6	5.7	10.1	15.4
NEC-0508	1800	4.8	6.7	9.1	/	/
NEC-1520		4.2	5.9	8	12.5	18.5
NEC-0508	2300	8	/	/	/	/
NEC-1520		7.5	10.5	14.1	18.5	22

### FLOW-2300rpm

Motor	Speed(RPM)	Input Power (W)				
		60*180(mm)	60*240(mm)	60*300(mm)	60*360(mm)	60*420(mm)
NEC-0508	2300	8	/	/	/	/
NEC-1520		7.5	10.5	14.1	18.5	22
		FLOW (m3/h) 0Pa				
		145	230	290	330	390

## Dimension









**Representative Office**

Via Emilio Motta 6 | 20144 Milan | Italy  
+39 (02) 49671368

**Factory & Warehouse**

Via Madonna del Bosco snc | 26016 Spino d'Adda | Milan | Italy  
+39 (03) 63701179

**Laboratory Center**

Via Vittorio Veneto 24 | 20062 Cassano d'Adda | Milan | Italy

info@nitec.srl  
www.nitec.srl

