



***Fans and motors
for refrigeration, air-condition and ventilation***

***EC AXIAL MOTOR
AC SHADED POLE MOTOR
AC 2 POLE MOTOR***

**Start small, act big,
Think big, achieve bigger.**

**Your trust, Our Mission
Innovate, Differentiate
Think, Act, Save**

Nitec History

Until 2022 NITEC was a company of the Fineldo Holding of which other companies such as Hotpoint–Ariston, Indesit Company and Sholtes were part.

From 1976 to 1991 NITEC as EPC (Engineering Procurement & Construction) built in China with its Italian technology, production plants for the Haier and Midea companies.

In addition to maintaining its role as the only worldwide distributor of spare parts for the group companies, the experience gained has allowed NITEC to continue the role of EPC in the field of renewable energy, constructing large plants in Europe, South Africa and Latin America, on behalf of investors such as Enel Green Power, China Yangtze Power, LG Energy Solution.

In 2009 NITEC developed together with an important Japanese company the technology for the production of electrical green motors also for the HVAC sector, producing for the United States and Canada markets.

In 2023 NITEC landed in Europe to offer its high quality and competitive fan motors.



HIGH Quality High Eficency, The Highest Performance

MISSION

Peak performers see the ability to manage change as a necessity in fulfilling their missions

VISION

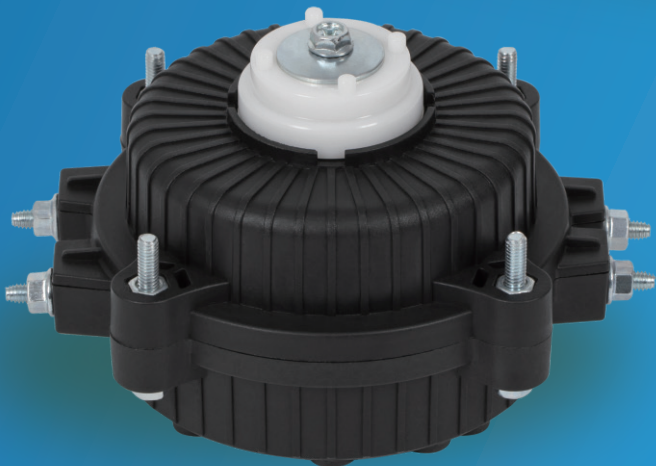
To succeed in your mission, you must have single-minded devotion to your goal

VALUES

- Punctuality
- Eficency
- Support
- Devotion



NEC LINE EC MOTOR	8
SHADED POLE MOTORS	15
BLADES - How to choose blade	19
NECM MOTOR FOR MIXER	23
N2P LINE AC 2POLE MOTOR	24
AC Capacitor Motor 2POLE	25



EC MOTOR



The new generation of Nitec ECM products are the motors of high efficiency, Comparing to the congeneric products, Nitec ECM motors are of higher efficiency, lower cost increasing and providing quieter environment.

For the size and assembling, it can compatible with shaded pole motor, Besides, many materials are available for ECM, such as the plastic, aluminum. What' s more, the protection grade of ECM reaches IP65 and it is with approvals of VDE, UL, CE, ATEX.

High efficiency of up to 65%

Constant speed, even in the event of voltage fluctuations

High running smoothness due to ball bearings system

Intelligent electronics with control, overload and locked-rotor protection

Conventional AC technology can be replaced easily

Available in 5V,12V,24V, 115V,127V and 220-240V

Can control positive and negative rotation, double speed, speed regulation between 400rpm to 2000rpm

Operating temperature $-30^{\circ}\text{C}\sim+50^{\circ}\text{C}$, special customization $-40^{\circ}\text{C}\sim+70^{\circ}\text{C}$



NEC0508

Motor Parameter

MODEL	VOLTAGE V	FREQUENCY Hz	OUTPUT POWER W	SPEED RPM	WEIGHT Kg	APPLICATION TEMPERATURE °C
NEC0508	110/220	50/60	8	2000	0.5	-30~+50

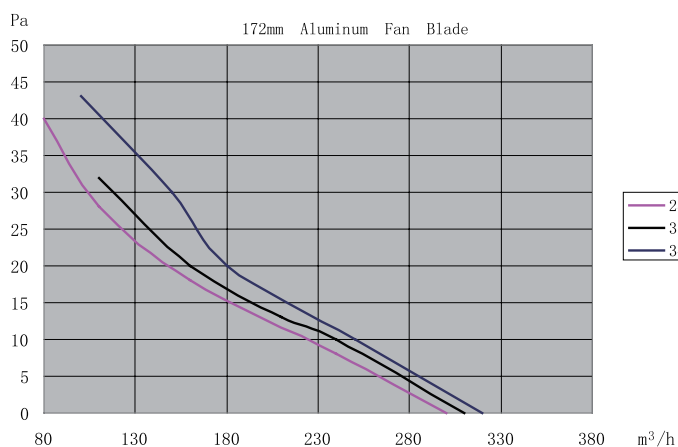
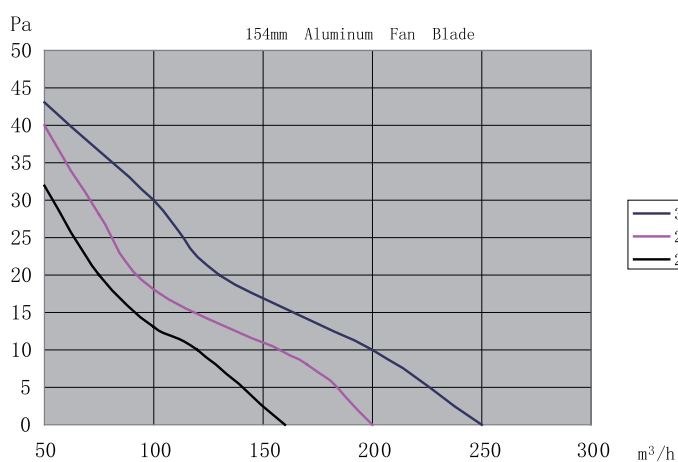


Airflow

ECM motor Air performance curves measured at a constant speed of 1,550 rpm.

MODEL	AXIAL IMPELLER DIAMETER MM	AXIAL IMPELLER BLADE ANGLE	INPUT POWER W
NEC0508	154	22	4.0
NEC0508	154	28	4.8
NEC0508	154	34	6.8
NEC0508	172	28	5.5
NEC0508	172	31	7.1
NEC0508	172	34	7.6
NEC0508	200	22	6.2
NEC0508	200	28	13.6
NEC0508	200	31	15.5

* Speed = 1550RPM



NEC LINE EC MOTOR



NEC1520



Motor Parameter

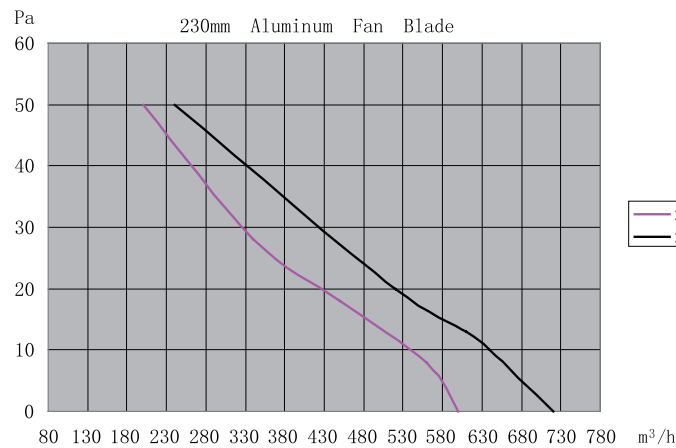
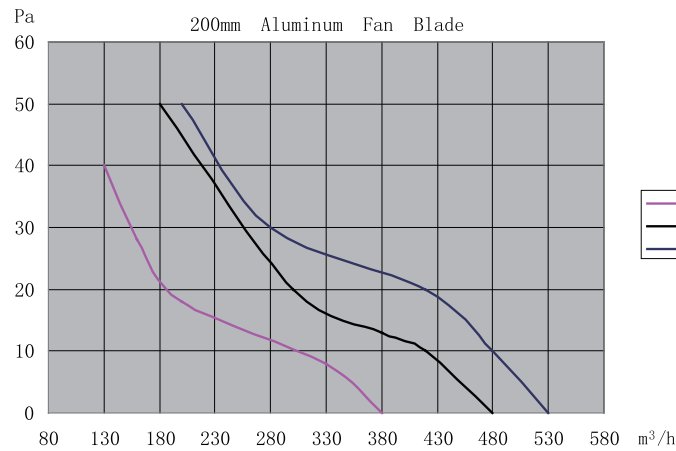
MODEL	VOLTAGE V	FREQUENCY Hz	OUTPUT POWER W	SPEED RPM	WEIGHT KG	APPLICATION TEMPERATURE °C
NEC1520	110/220	50/60	15	2000	0.9	-30~+50

Airflow

ECM motor Air performance curves measured at a constant speed of 1,550 rpm.

MODEL	AXIAL IMPELLER DIAMETER MM	AXIAL IMPELLER BLADE ANGLE	INPUT POWER W
NEC1520	200	22°	5.8
NEC1520	200	28°	8.4
NEC1520	200	34°	13.6
NEC1520	230	22°	11.6
NEC1520	230	28°	17.4
NEC1520	254	22°	17.3

* Speed = 1550RPM



NEC2030

Motor Parameter

MODEL	VOLTAGE V	FREQUENCY Hz	OUTPUT POWER W	SPEED RPM	WEIGHT KG	APPLICATION TEMPERATURE °C
NEC2030	110/220	50/60	22	2000	1.3	-30~+50



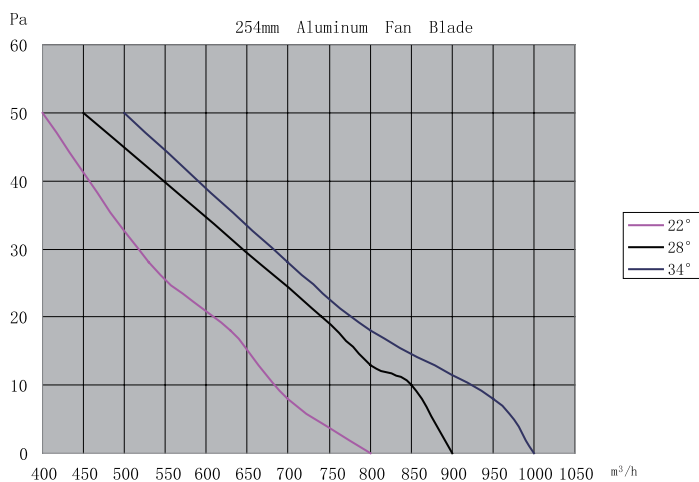
Airflow

ECM motor Air performance curves measured at a constant speed of 1,550 rpm.

MODEL	AXIAL IMPELLER DIAMETER MM	AXIAL IMPELLER BLADE ANGLE	INPUT POWER W
NEC2030	254	22°	16.0
NEC2030	254	28°	25.0
NEC2030	254	31°	29.0

* Speed = 1550RPM

SPEED	FAN					
	154 mm	172 mm	200 mm	230 mm	254 mm	300 mm
(AL) 1300rpm	22°	22°	22°	22°	22°	22°
	25°	25°	25°	25°	25°	25°
	28°	28°	28°	28°	28°	
	31°	31°	31°	31°	31°	
	34°	34°	34°	34°	34°	
(AL) 1500rpm	22°	22°	22°	22°	22°	22°
	25°	25°	25°	25°	25°	
	28°	28°	28°	28°	28°	
	31°	31°	31°	31°	31°	
	34°	34°	34°	34°		
ECM08		ECM12		ECM20		



MODEL	load/1300 noise(dB)						load/1500 noise(dB)					
	154	172	200	230	254	300	154	172	200	230	254	300
NEC0508	37	39	41				39	40	42			
NEC1520			41	44					42	46		
NEC2030					48	51					50	52

NEC LINE EC MOTOR

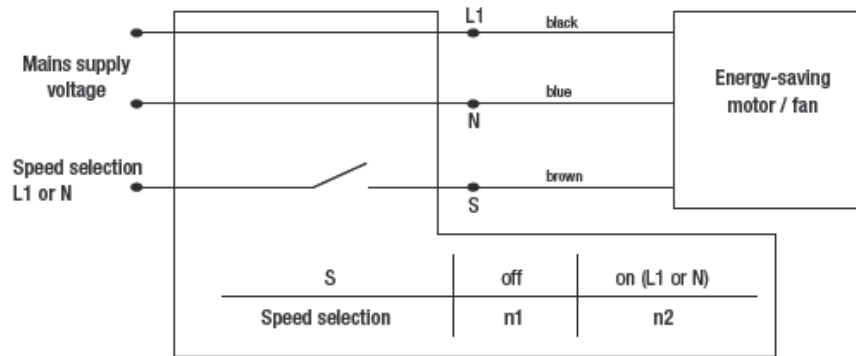


Control diagram

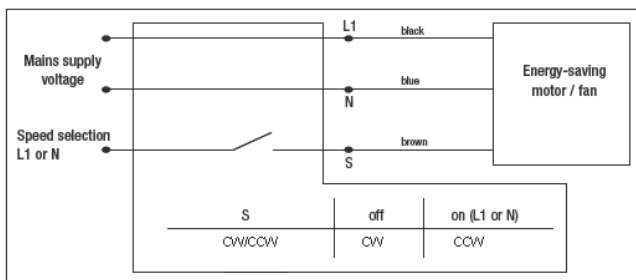
STANDARD



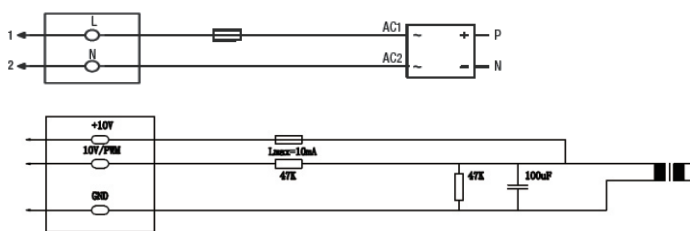
TWO SPEED



CW/CCW



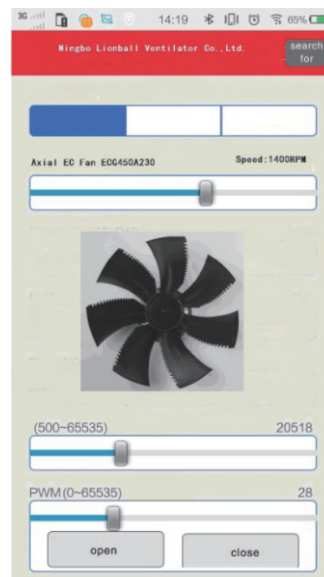
VARIABLE SPEED



Bluetooth Connect

Using mobile APP to control all lionball series fan

- ◆ Motor and fan cw&ccw control
- ◆ Remote speed control
- ◆ User define curve
- ◆ Connect sensor and fan





SHADED POLE MOTORS



N series shaded pole motors with single phase, 2,4 shaded poles are running at rated voltage of 220-240V, 50/60Hz, 127V, 50/60Hz, 400V, 50/60Hz or 110-120V, 50/60Hz.

3 to 34 Watt output power, which is relative to the stack length.

Usually with bracket.

Operating with fan blades, suitable for evaporator, heater, dehumidifier, refrigerating, radiator, welding machine, etc.

The insulation class of motors is B, and the protection class of that is IP42. On request IP44 is available.

The motors can be protected with thermal protector in accordance with client's request. When the temperature of windings is at $135^{\circ}\text{C} \pm 10^{\circ}\text{C}$, the thermal protector will cut off the current.

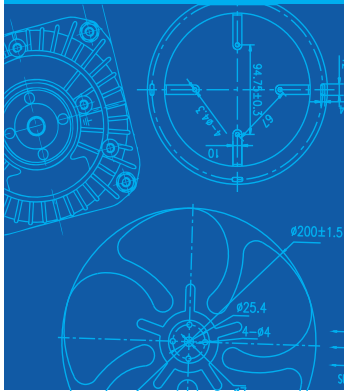
The useable ambient temperature is from -20°C to $+50^{\circ}\text{C}$ (Can be made to special requirement -40°C to $+70^{\circ}\text{C}$).

The service life of motors is more than 30000 hours.

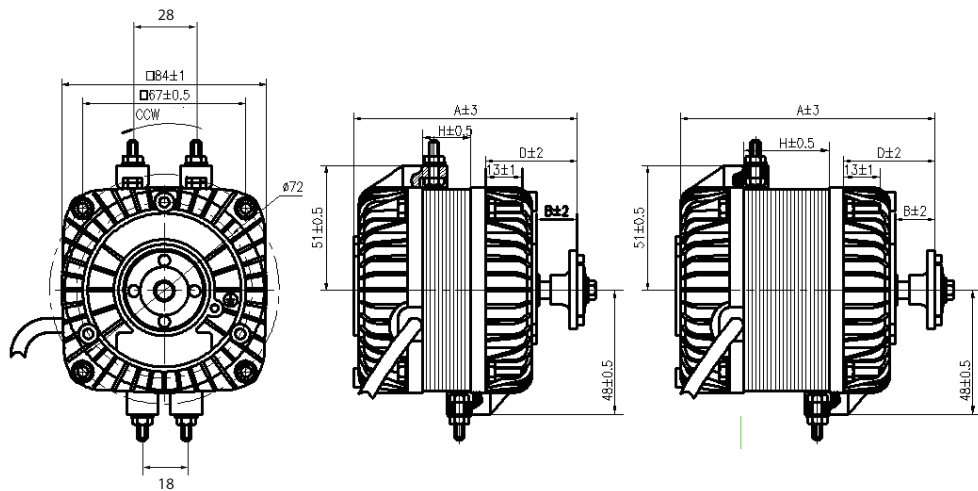
Most of shaded pole motors passed CE, VDE, ROHS, UL(E221116) approval.

N-LINE

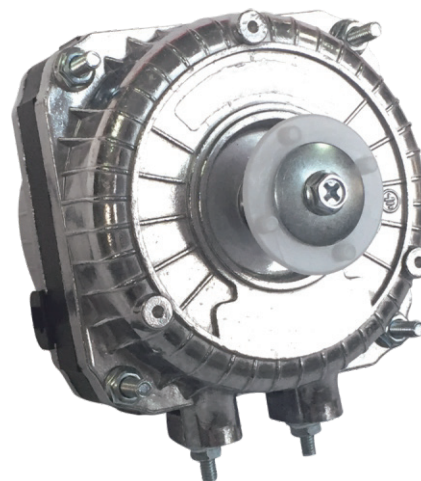
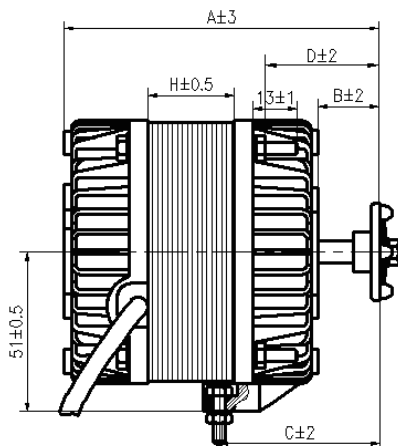
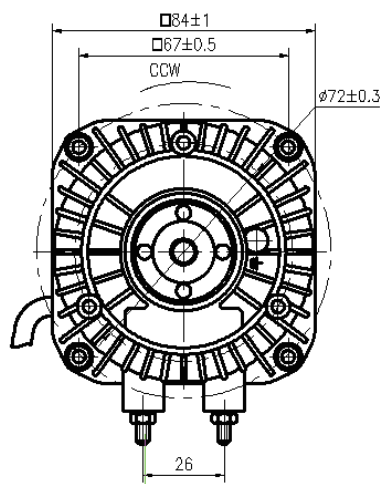
AC SHADED POLE



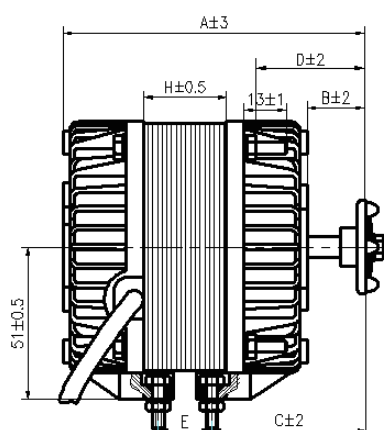
Series N-18-26



MODEL	VOLTAGE V	FREQUENCY Hz	CURRENT A	INPUT POWER W	OUTPUT POWER W	SPEED RPM	A mm	B mm	C mm	D mm	E mm	H mm					
N5-1826	220/240	50/60	0.16	20	3	1300/1550	79.5	15	46	31	—	12.5					
	110/115	50/60	0.32	20	3	1300/1550											
N10-1826	220/240	50/60	0.20	30	5	1300/1550											
	110/115	50/60	0.40	30	5	1300/1550											
N16-1826	220/240	50/60	0.30	42	10	1300/1550					89.5		17.5	48.5	33.5	—	20
	110/115	50/60	0.60	42	10	1300/1550											
N18-1826	220/240	50/60	0.40	58	16	1300/1550	94.5	17.5	48.5	33.5	—	25					
	110/115	50/60	0.80	58	16	1300/1550											
N25-1826	220/240	50/60	0.43	60	18	1300/1550	100.5	18.5	49.5	34.5	20	30					
	110/115	50/60	0.86	60	18	1300/1550											
N34-1826	220/240	50/60	0.47	65	20	1300/1550											
	110/115	50/60	0.94	65	20	1300/1550											



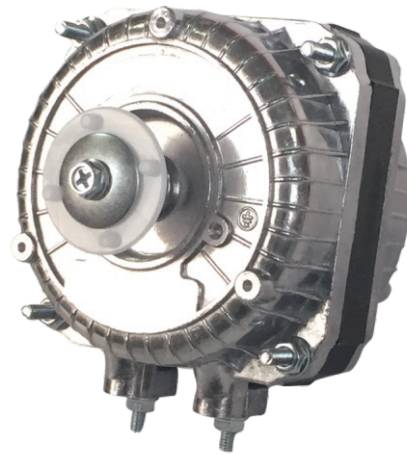
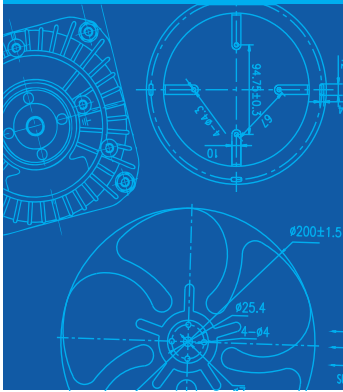
Series N-26



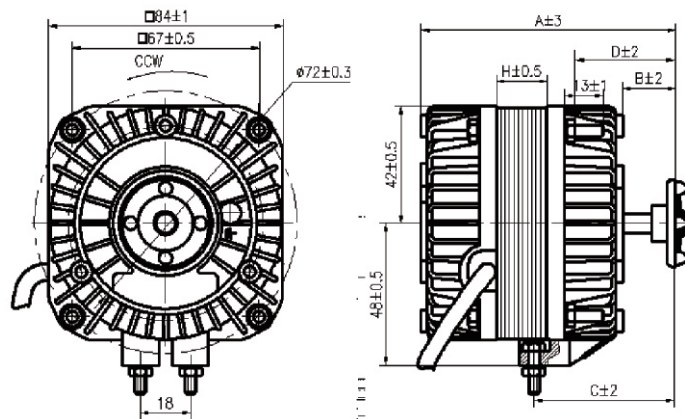
MODEL	VOLTAGE V	FREQUENCY Hz	CURRENT A	INPUT POWER W	OUTPUT POWER W	SPEED RPM	A mm	B mm	C mm	D mm	E mm	H mm					
N5-26	220/240	50/60	0.16	20	3	1300/1550	79.5	15	46	31	—	12.5					
	110/115	50/60	0.32	20	3	1300/1550					—						
N10-26	220/240	50/60	0.20	30	5	1300/1550					89.5		17.5	48.5	33.5	—	20
	110/115	50/60	0.40	30	5	1300/1550										—	
N16-26	220/240	50/60	0.30	42	10	1300/1550	94.5	17.5	48.5	33.5	—	25					
	110/115	50/60	0.80	58	16	1300/1550					—						
N18-26	220/240	50/60	0.40	58	16	1300/1550	100.5	18.5	49.5	34.5	20	30					
	110/115	50/60	0.86	64	18	1300/1550											
N25-26	220/240	50/60	0.43	64	18	1300/1550	100.5	18.5	49.5	34.5	20	30					
	110/115	50/60	0.86	64	18	1300/1550											
N34-26	220/240	50/60	0.47	65	20	1300/1550	100.5	18.5	49.5	34.5	20	30					
	110/115	50/60	0.94	65	20	1300/1550											

N-LINE

AC SHADED POLE

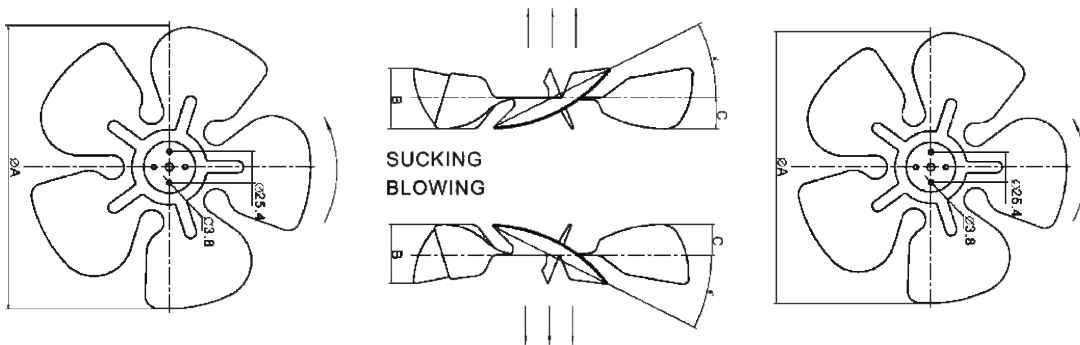
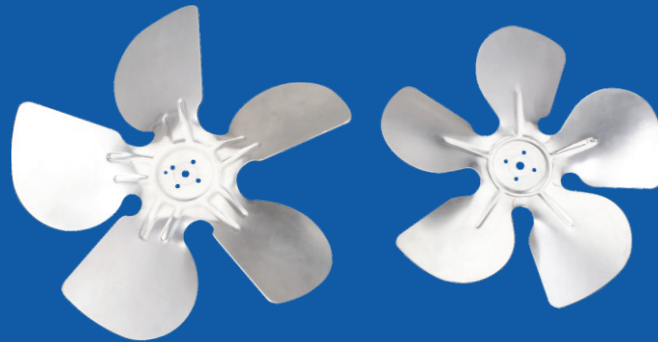


Series N-18

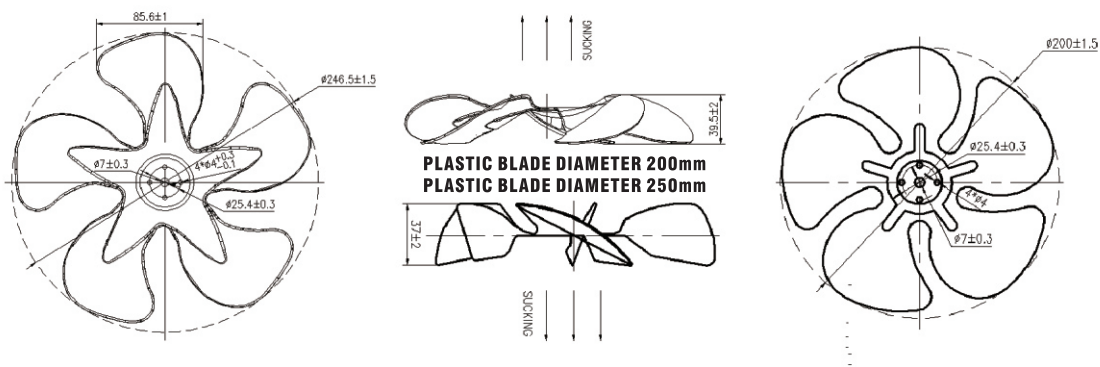
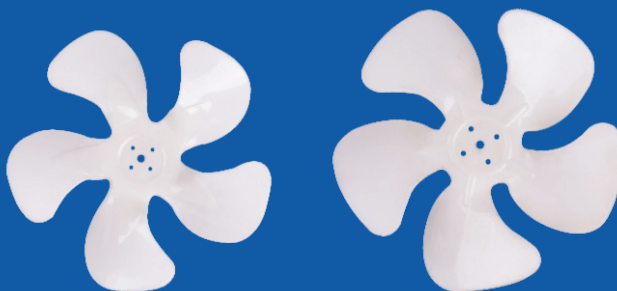


MODEL	VOLTAGE V	FREQUENCY Hz	CURRENT A	INPUT POWER W	OUTPUT POWER W	SPEED RPM	A mm	B mm	C mm	D mm	E mm	H mm
N5-18	220/240	50/60	0.16	20	3	1300/1550	79.5	15	46	31	—	12.5
	110/115	50/60	0.32	20	3	1300/1550					—	
N10-18	220/240	50/60	0.20	30	5	1300/1550	79.5	15	46	31	—	12.5
	110/115	50/60	0.40	30	5	1300/1550					—	
N12-18	220/240	50/60	0.27	38	7	1300/1550	89.5	17.5	48.5	33.5	—	20
	110/115	50/60	0.54	38	7	1300/1550					—	
N18-18	220/240	50/60	0.40	58	16	1300/1550	94.5	17.5	48.5	33.5	—	25
	110/115	50/60	0.80	58	16	1300/1550					—	
N25-18	220/240	50/60	0.43	64	18	1300/1550	100.5	18.5	50	34.5	20	30
	110/115	50/60	0.86	64	18	1300/1550						
N34-18	220/240	50/60	0.47	65	20	1300/1550	100.5	18.5	50	34.5	20	30
	110/115	50/60	0.94	65	20	1300/1550						

Aluminum

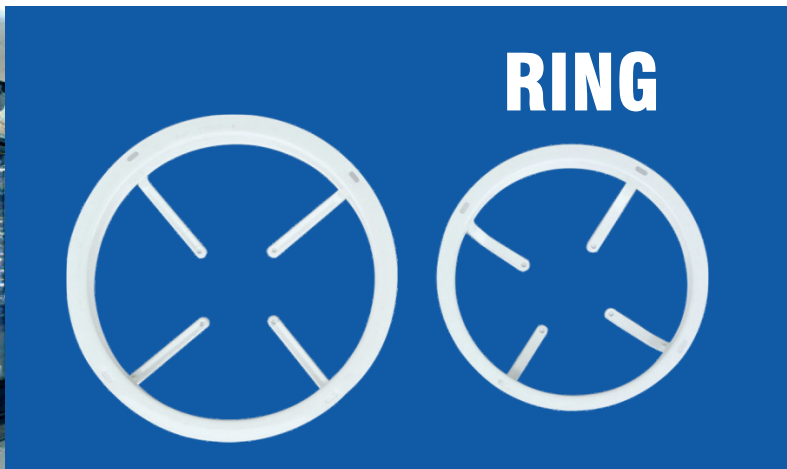


Plastic

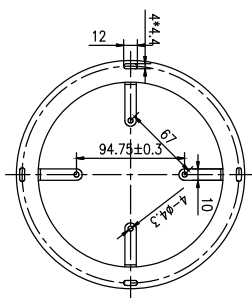


MODEL	BLS.154	BLS.172	BLS.200	BLS.230	BLS.250	BLS.254	BLS.265	BLS.300	BLS.310	BLS.340
DIAMETER	Φ154	Φ172	Φ200	Φ230	Φ250	Φ254	Φ265	Φ300	Φ310	Φ340

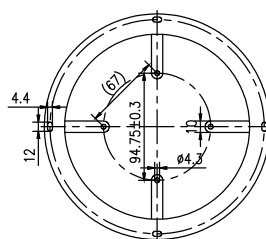
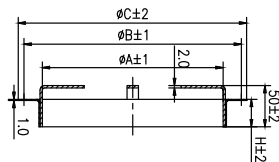
The above models of the fan angle of 10 to 34 degrees; of which 19 degrees, 22 degrees 25 degrees 31 degrees 34 degrees for the coapany's conventional production and with the use of motor; the same time, customers can order in accordance with their own requirements of the angle of the fan.



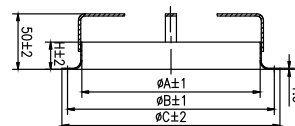
DIAMETER	$\varnothing A \pm 1$	$\varnothing B \pm 1$	$\varnothing C \pm 1$	$\varnothing H \pm 1$
NR154	164	190	200	24
NR172	179	208	221	30
NR200	212	233	249	22
NR230	240	266	278	30
NR254	260	290	300	25
NR300	310	344	356	29



BLOWING

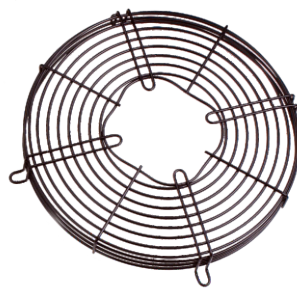


SUCKING



GRILL

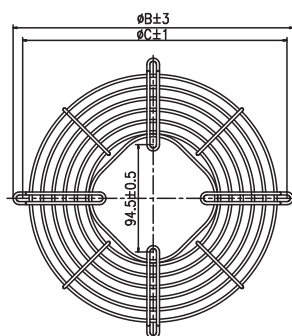
DIAMETER	MODEL	G154A	G172A	G200A	G230A	G254A	G300A
		G154B	G172B	G200B	G230B	G254B	G300B
NG154	Fan	154	172	200	230	254	300
NG172	$\varnothing A$	170	188	216	246	270	324
NG200	$\varnothing B$	202	220	248	278	300	354
NG230	$\varnothing C$	190	208	236	266	290	344
NG254	$\varnothing H$	25	25	25	25	35	35



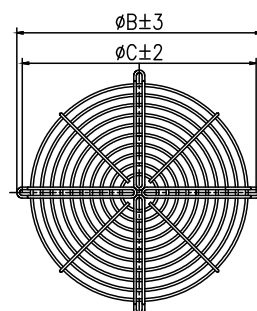
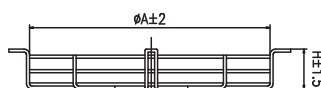
A type



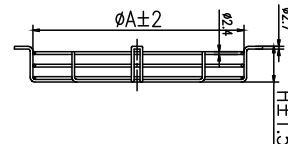
B type



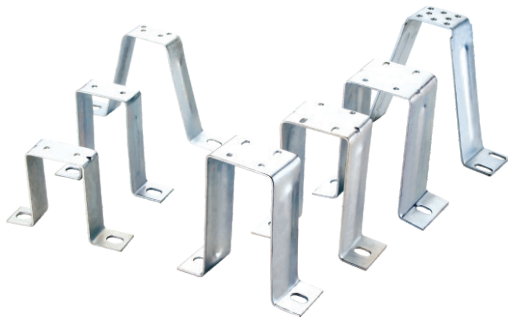
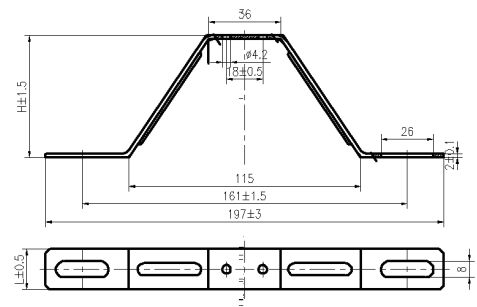
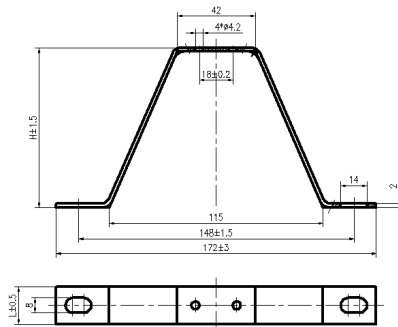
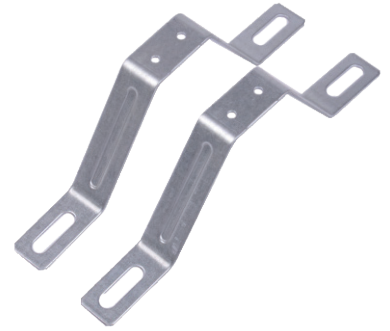
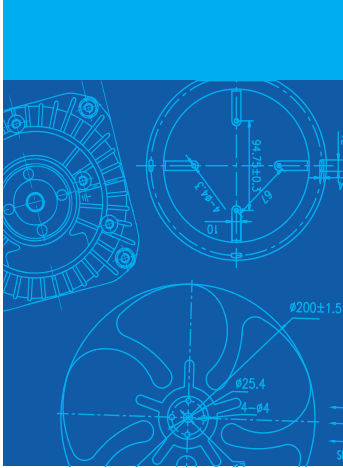
A type



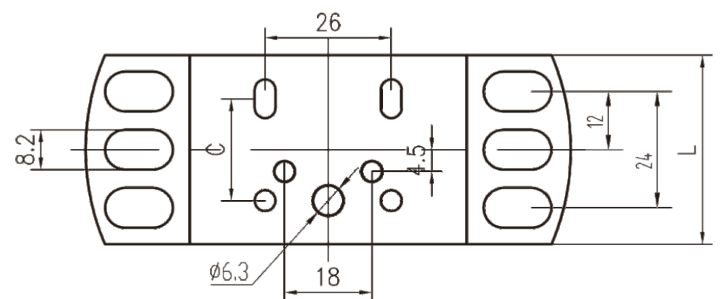
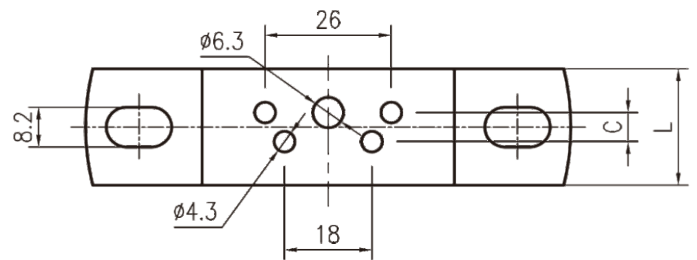
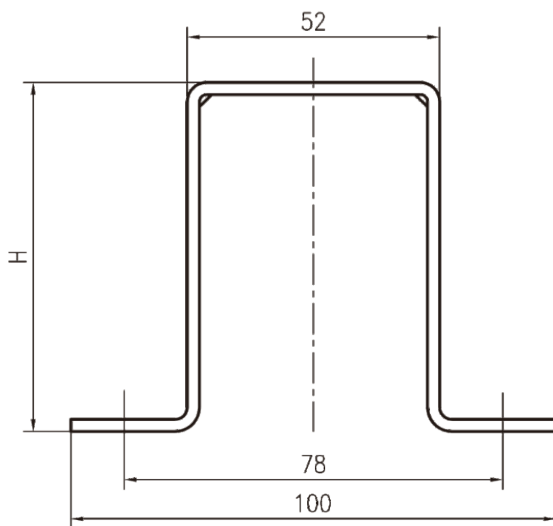
B type



BRACKET



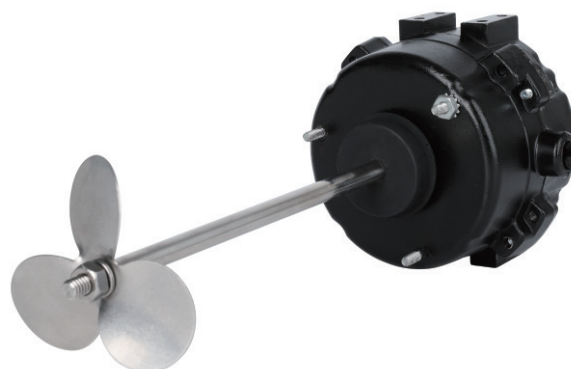
MODEL	H	C	L
NB56	56	6	24
NB63	63	6	24
NB72	72	21	24
NB109-1	109	21	31
NB109-2	109	29	39
NB109-3	109	35	49
NB60.5	60.5	/	20
NB85.5	85.5	/	20



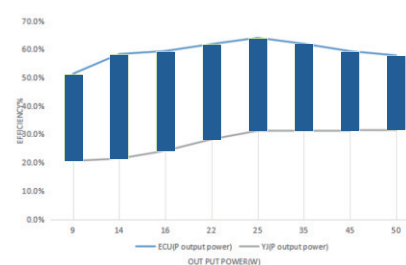
NECM MOTOR FOR MIXER

Description

Motor technology	EC
Model	NECM-50
Voltage (v)	110-240V
Frequency (Hz)	50/60
Input power(W)	13-90
Current(A)	0.12-1.4
Speed RPM (r/min)	400-2000
Motor rotation	CCW or CW (from the end of the shaft)
Mounting type : Horizontal or vertical installation, or between -90° and 0° with accessory like below:	1. Mounting with support by foot screw 2. Mounting with guard grill or ring 3. Base screw bolt with support
Motor protection form	Controller protection
IP level	IP 67
Working mode	Run S1 continuously
Applicable working temperature	-30°C ~ +50 °C
Bearings	maintenance-free ball bearings



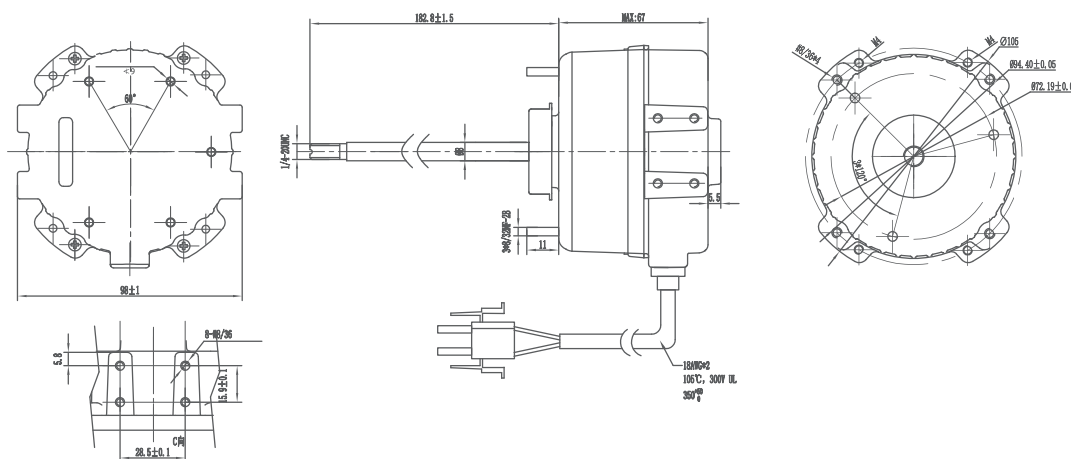
Efficiency curve



Motor parameters

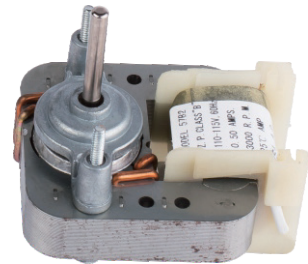
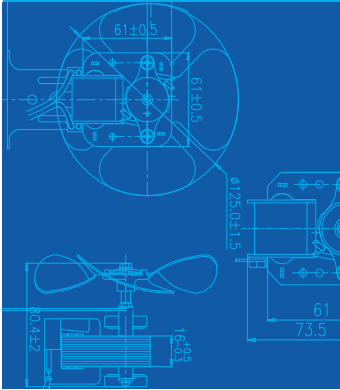
MODEL	VOLTAGE V	FREQUENCY Hz	SPEED RPM	INPUT/OUTPUT W	WEIGHT KG	APPLICATION TEMPERATURE °C
NECM-09	115	50/60	2000max	18/9	1.3	-30-50
	230					
NECM-16	115					
	230					
NECM-25	115					
	230					
NECM-35	115					
	230					
NECM-50	115					
	230					

Dimension



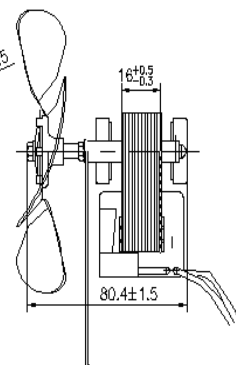
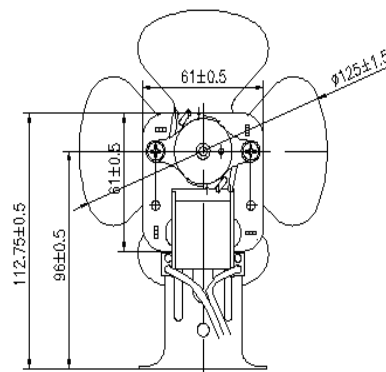
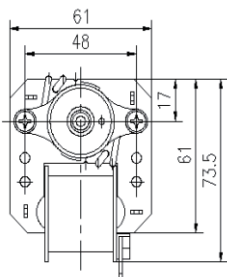
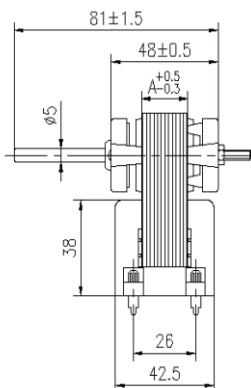
N2P LINE

AC 2POLE MOTOR



MODEL	VOLTAGE V	FREQUENCY Hz	CURRENT A	INPUT POWER W	SPEED R/MIN	ROTATION
N2P-20H	220	50	0.17	20	2500	CW/CCW

MODEL	VOLTAGE V	FREQUENCY Hz	CURRENT A	INPUT POWER W	SPEED R/MIN	ROTATION	LOAD FAN
N2P-23H	220	50	0.21	23	2500	CW/CCW	132
N2P-25H	220	50	0.23	25	2500	CW/CCW	132
N2P-30H	220	50	0.25	30	2500	CW/CCW	132



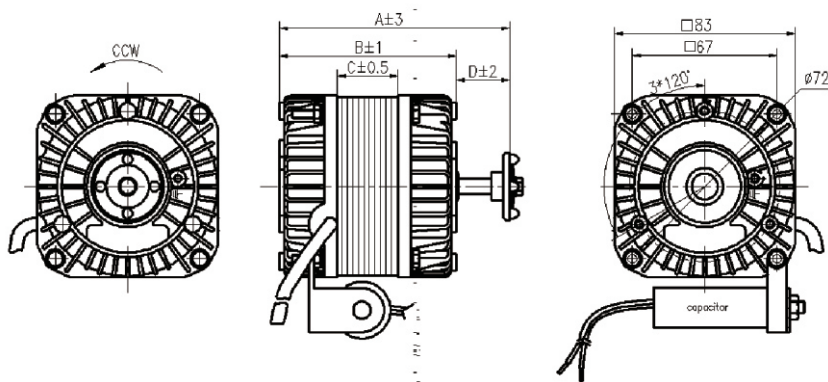


N2P-LINE AC 2POLE MOTOR



AC Capacitor Motor 2POLE

MODEL	VOLTAGE V	FREQUENCY Hz	CURRENT A	INPUT POWER W	OUTPUT POWER W	SPEED RPM	CAPACITOR μ F	A	B	C	D
N2P-53H	230	50	0.25	53	22	2800	2	89.5	72	20	17.5
N2P-103H	230	50	0.42	103	42	2700	2				
N2P-93L	230	50/60	0.4/0.51	93/120	39/48	1300/1400	2.5	101	84	32	17
N2P-160L	230	50	0.72	160	65	1300	4	115	97	32	18



MODEL	VOLTAGE V	FREQUENCY Hz	CURRENT A	INPUT POWER W	OUTPUT POWER W	SPEED RPM	CAPACITOR μ F
N2P-130UL	115/230	50/60	0.5/0.8	130/170	55/70	1300	3.15
N2P-180L	115/230	50/60	1.6/0.83	145/185	58/75	1300	4
N2P-220H	230	50	0.93	220	88	2600	5



Representative Office

Via Emilio Motta 6 | 20144 Milan | Italy
+39 (02) 49671368

Factory & Warehouse

Via Madonna del Bosco snc | 26016 Spino d'Adda | Milan | Italy
+39 (03) 63701179

Laboratory Center

Via Vittorio Veneto 24 | 20062 Cassano d'Adda | Milan | Italy

info@nitec.srl
www.nitec.srl

